

DWG NO. 300B0364

REVISIONS

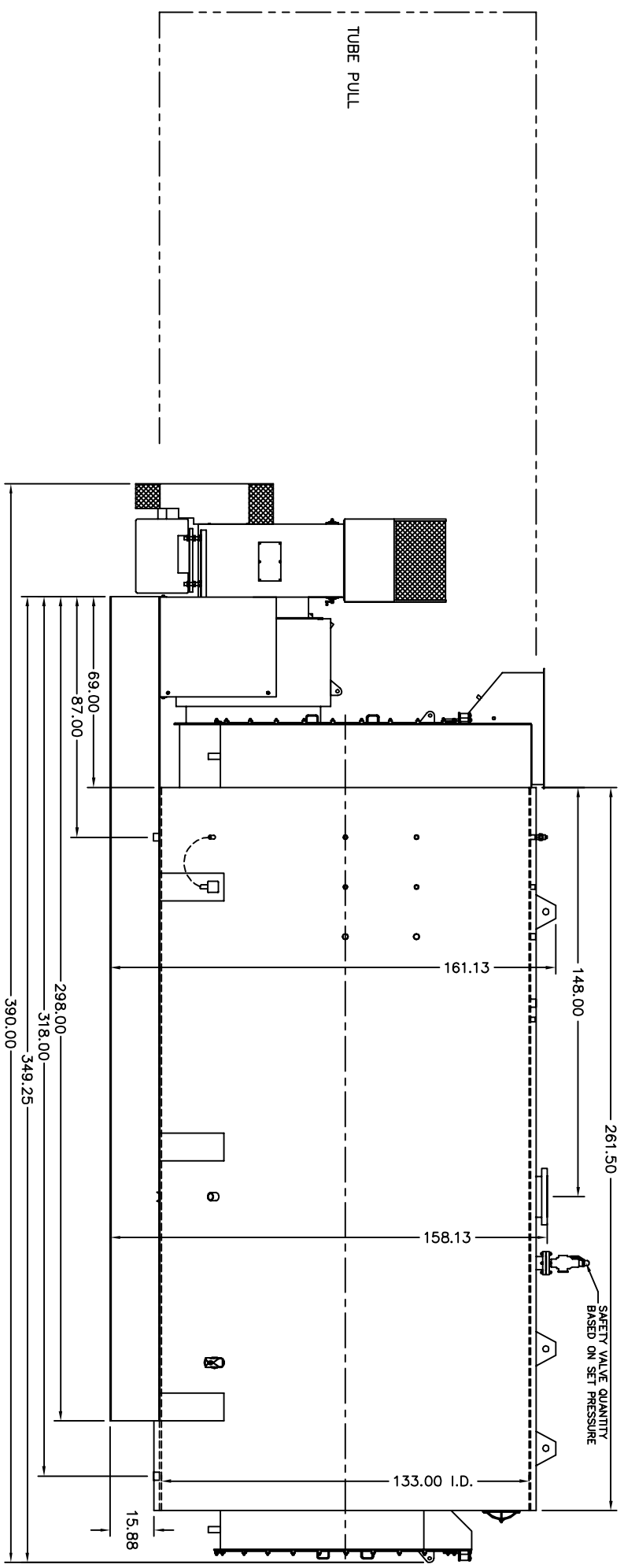
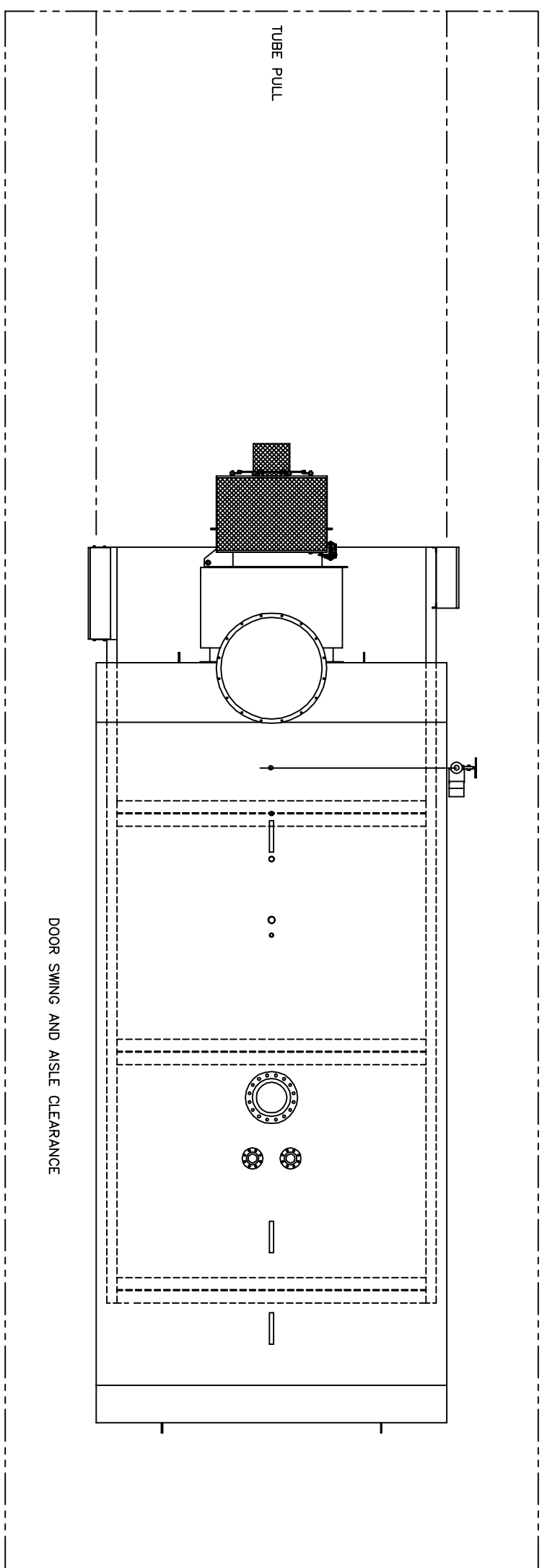
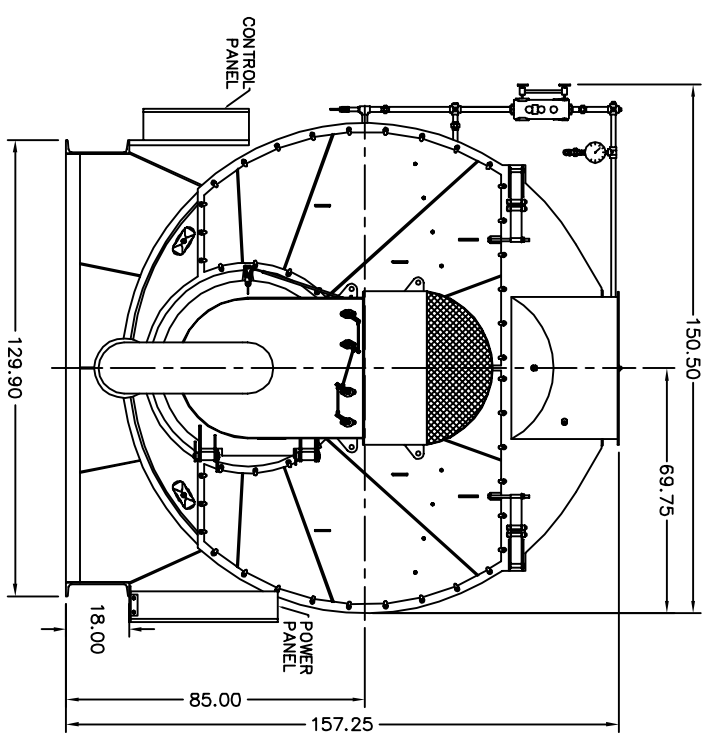
A 8/26/04 MN

ADDED SILENCER, BLOWER HOUSING REF. DWG. (NON-FGR) WAS 216B0082.

B 1-29-07 JRS

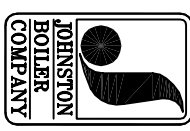
ADDED PANELS, CHANGED STACK SIZE AND FLUE BOX DEPTH, ADDED ALL CONNECTIONS TO TOP CENTERLINE.

- NOTES:
1. MINIMUM AISLE CLEARANCE 36" FROM BOILER SIDES AND REAR. (THIS REQUIREMENT MAY VARY WITH LOCATION. CHECK STATE AND LOCAL CODES IN THE AREA OF INSTALLATION.)
 2. OPTIONS AND ADDITIONAL EQUIPMENT ORDERED MAY AFFECT OVERALL DIMENSIONS. DRAWINGS ARE FOR STANDARD BOILER PACKAGE.



REFERENCE DRAWINGS

BLWR HOUSING: #216B0125
 PLENUM: #212B0184
 PV: #101B0560
 PV BASE: #201B0057
 FR FLUE BOX: #205B0127
 RR FLUE BOX: #206B0118



THIS DRAWING IS THE PROPERTY OF THE JOHNSTON BOILER COMPANY. THE DISCLOSURES CONTAINED ON THIS DRAWING ARE MADE WITH THE UNDERSTANDING THAT THEY ARE CONFIDENTIAL AND WILL NOT BE USED IN ANY WAY DETRIMENTAL TO THIS COMPANY'S INTEREST.

SCALE: CAD/FULL
 DATE: 10-4-00
 DRAWN: GSP
 CHECKED: [Signature]

JOHNSTON BOILER COMPANY
 FERRYSBURG, MICHIGAN 49409

BOILER TEMPLATE - 509
 PFTA1500-4-150#S

DWG. NO. 300B0364-01