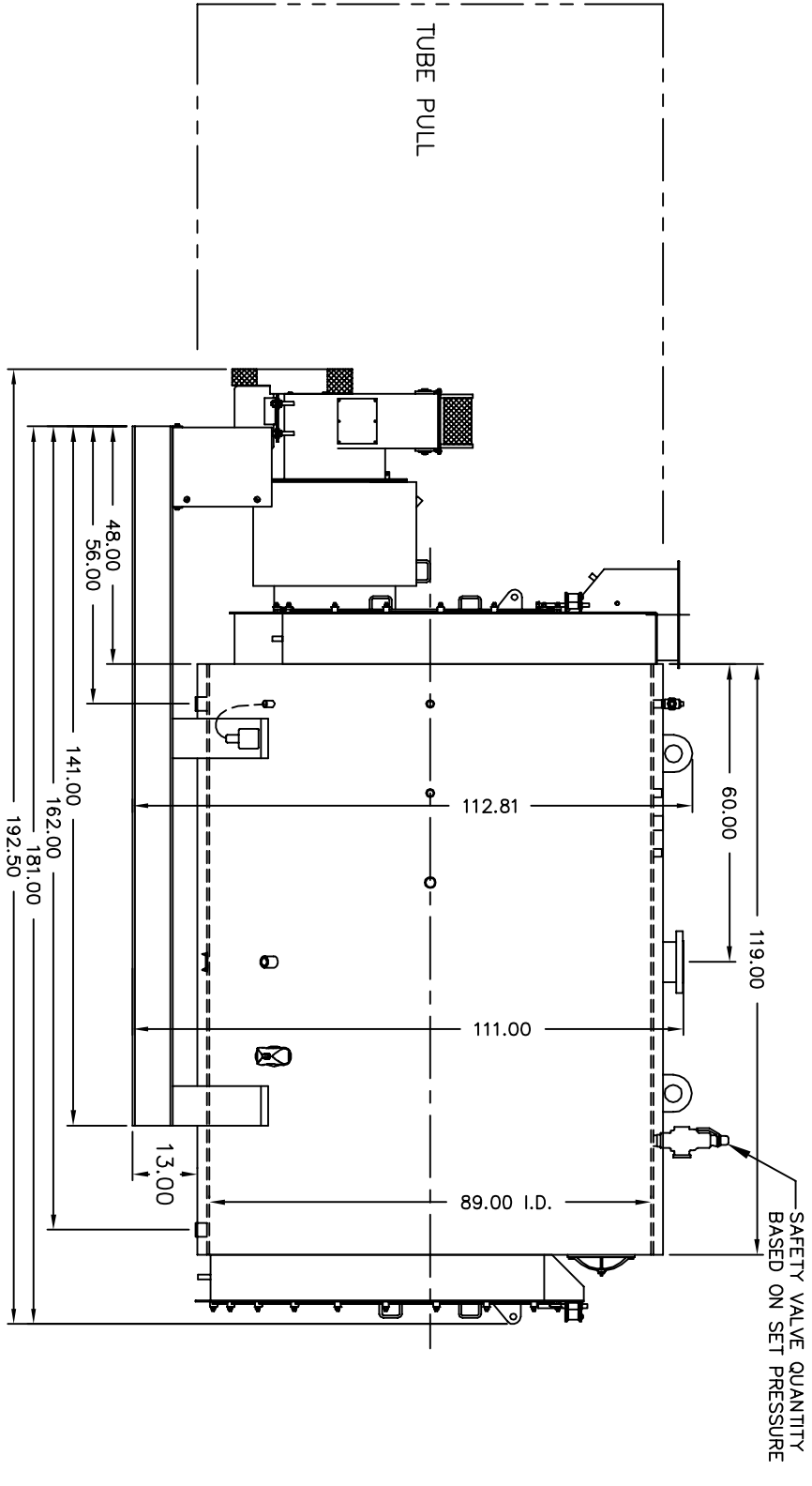
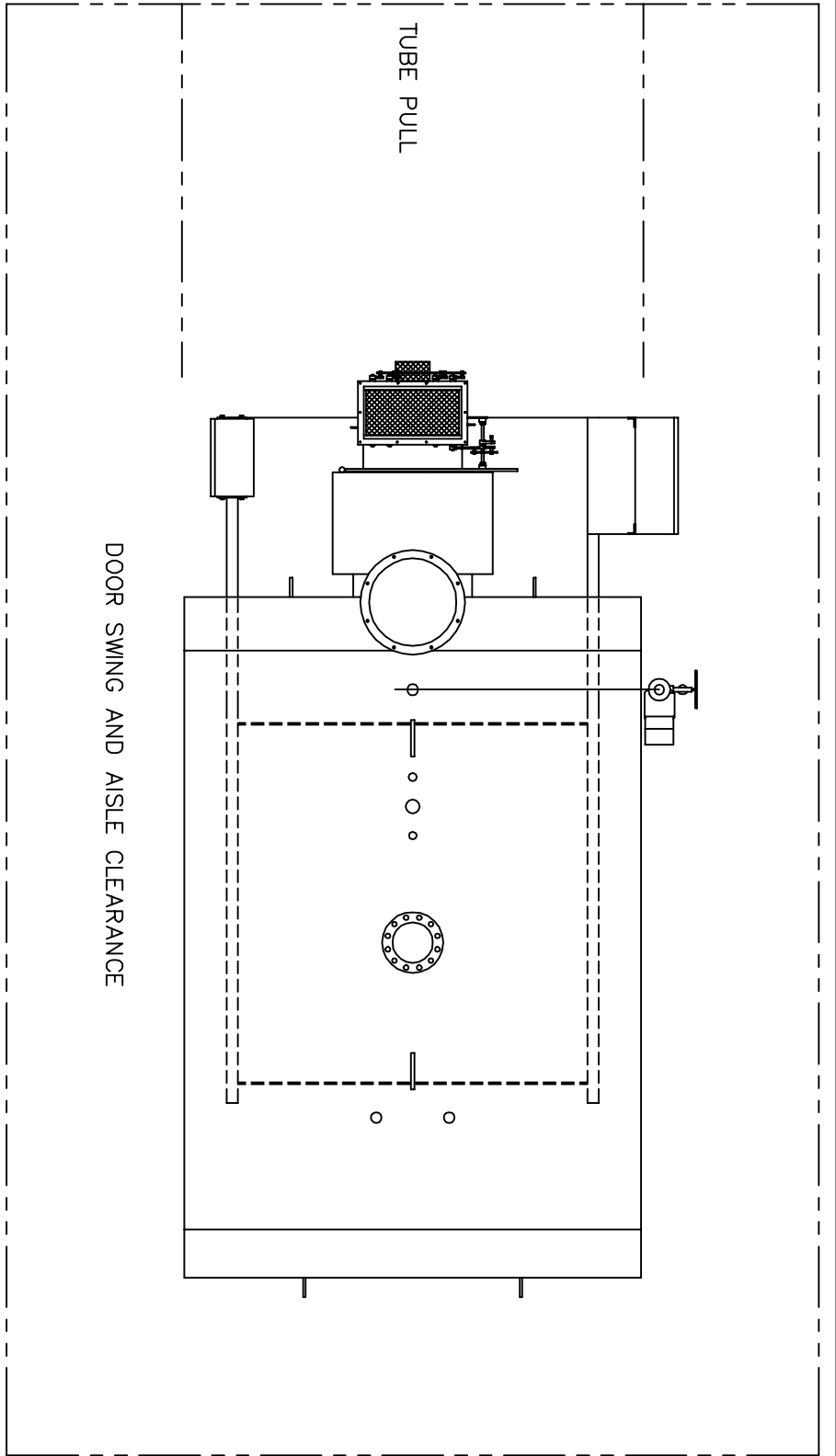
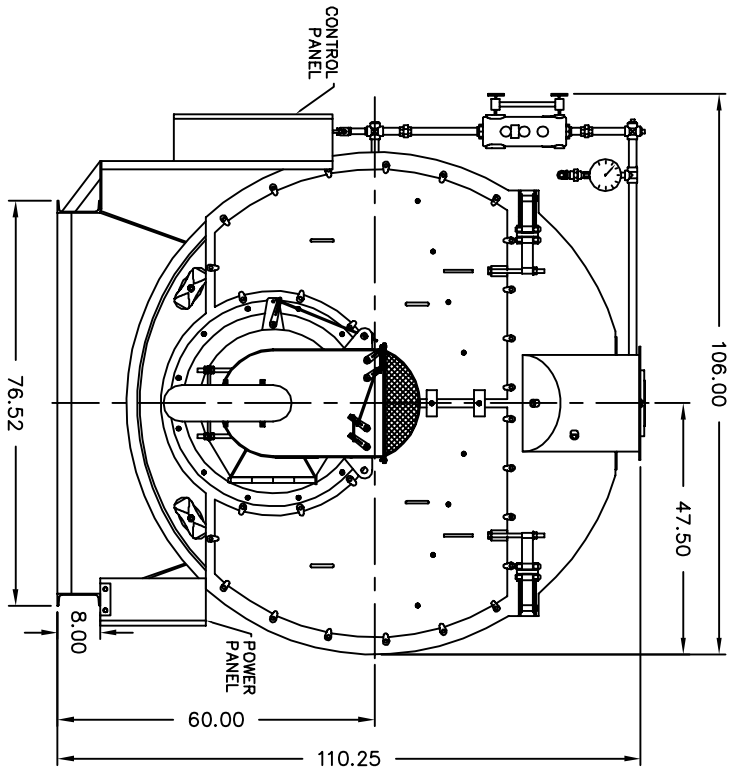
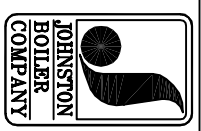


ADDED PANELS,
UPDATED BURNER,
ADDED TOP
CENTERLINES
CONNECTIONS

- NOTES:
1. MINIMUM AISLE CLEARANCE 36" FROM BOILER SIDES AND REAR. (THIS REQUIREMENT MAY VARY WITH LOCATION. CHECK STATE AND LOCAL CODES IN THE AREA OF INSTALLATION.)
 2. OPTIONS AND ADDITIONAL EQUIPMENT ORDERED MAY AFFECT OVERALL DIMENSIONS. DRAWINGS ARE FOR STANDARD BOILER PACKAGE.



REFERENCE DRAWINGS
BLWR HOUSING: #235A0126-04
PLENUM: #212B0158
PV: #101B0883
PV BASE: #201B0235
FR FLUE BOX: #205B0134
RR FLUE BOX: #206B0152



THIS DRAWING IS THE PROPERTY OF THE JOHNSTON BOILER COMPANY. THE DISCLOSURES CONTAINED ON THIS DRAWING ARE MADE WITH THE UNDERSTANDING THAT THEY ARE CONFIDENTIAL AND WILL NOT BE USED IN ANY WAY DETRIMENTAL TO THIS COMPANY'S INTEREST.

SCALE	CAD/FULL	DATE	8-16-00
DRAWN	GSP	CHECKED	
APPROVED			
JOHNSTON BOILER COMPANY FERRYSBURG, MICHIGAN 49409			
BOILER TEMPLATE - 509			
PFTA250-4-150#S			
DWG. NO. 300B0358-01			