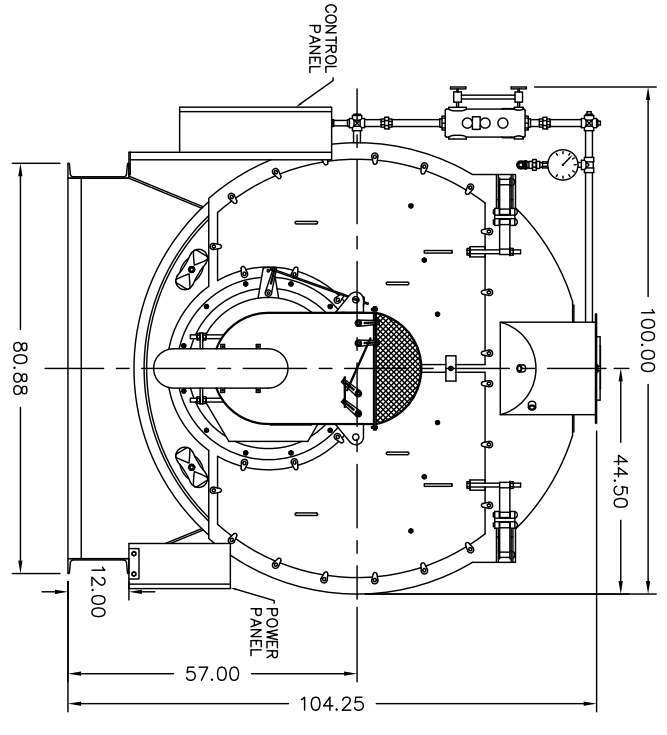


DWG NO.  
300B0359

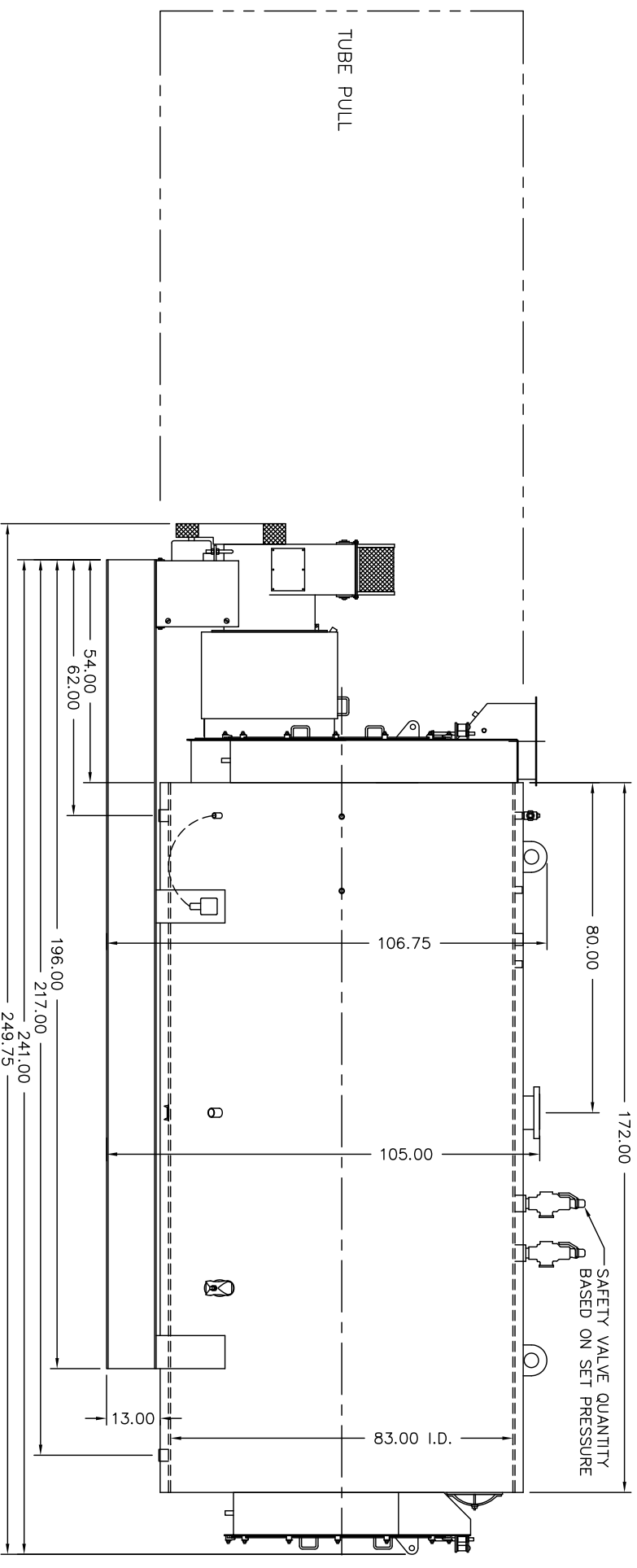
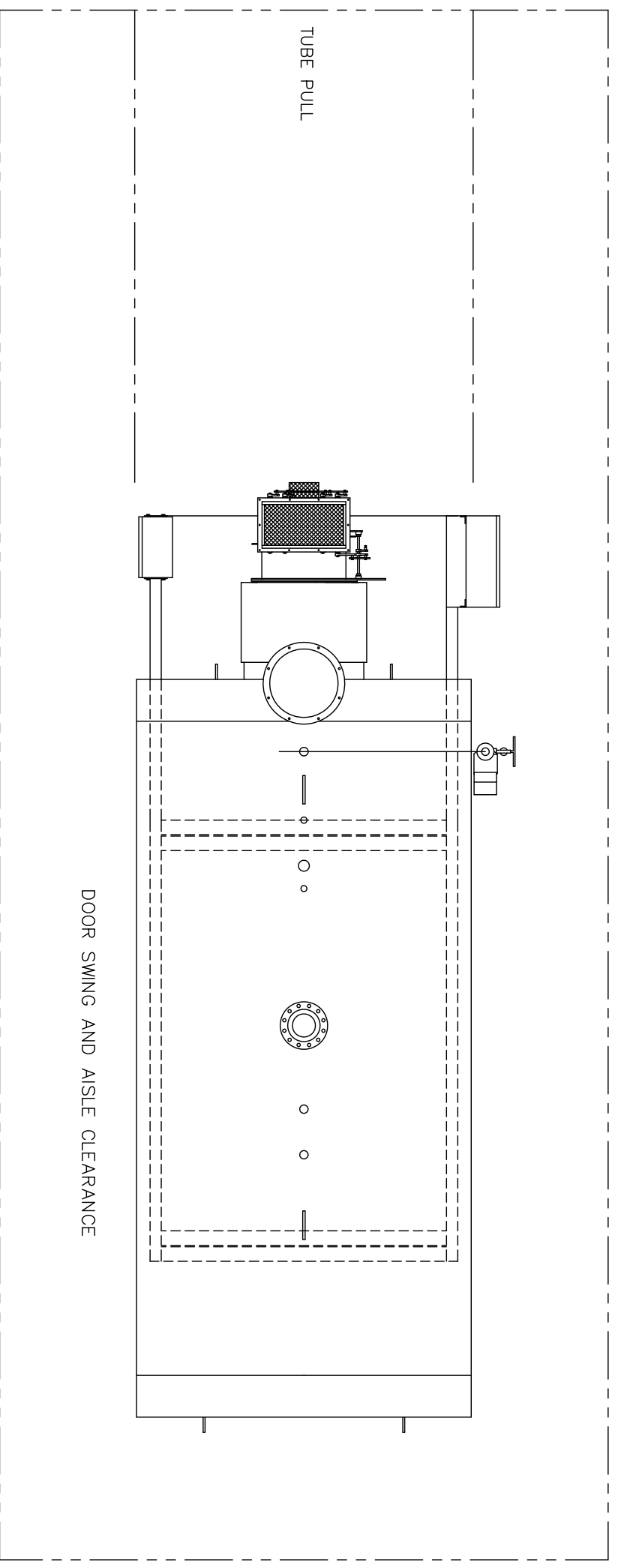
REVISIONS  
A 1-12-07 JRS

ADDED PANELS,  
UPDATED BURNER,  
ADDED TOP  
CENTERLINES  
CONNECTIONS IN TOP  
VIEW.

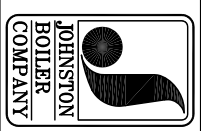
B 3-19-10 CW  
REV'D SAFETY VALVE  
LOCATION.



- NOTES:
1. MINIMUM AISLE CLEARANCE 36" FROM BOILER SIDES AND REAR. (THIS REQUIREMENT MAY VARY WITH LOCATION. CHECK STATE AND LOCAL CODES IN THE AREA OF INSTALLATION.)
  2. OPTIONS AND ADDITIONAL EQUIPMENT ORDERED MAY AFFECT OVERALL DIMENSIONS. DRAWINGS ARE FOR STANDARD BOILER PACKAGE.



REFERENCE DRAWINGS:  
BLWR HOUSING: #235A0127  
PLENUM: #212B0160  
PV: #101B0744  
FR FLUE BOX: #201B0259  
RR FLUE BOX: #205B0158  
#206B0154



THIS DRAWING IS THE  
PROPERTY OF THE JOHNSTON  
BOILER COMPANY. THE  
DISCLOSURES CONTAINED ON  
THIS DRAWING ARE MADE  
WITH THE UNDERSTANDING  
THAT THEY ARE CONFIDENTIAL  
AND WILL NOT BE USED IN  
ANY WAY DETRIMENTAL TO  
THIS COMPANY'S INTEREST.

SCALE	CAD/FULL	DATE	8-16-00	DRAWN	GSP	CHECKED	APPROVED	DWG. NO.	300B0359-01
<p>JOHNSTON BOILER COMPANY FERRYSBURG, MICHIGAN 49409</p> <p>BOILER TEMPLATE - 509 PFTA300-4-150#S</p>									
REV	B								