

DWG NO.  
300B0360

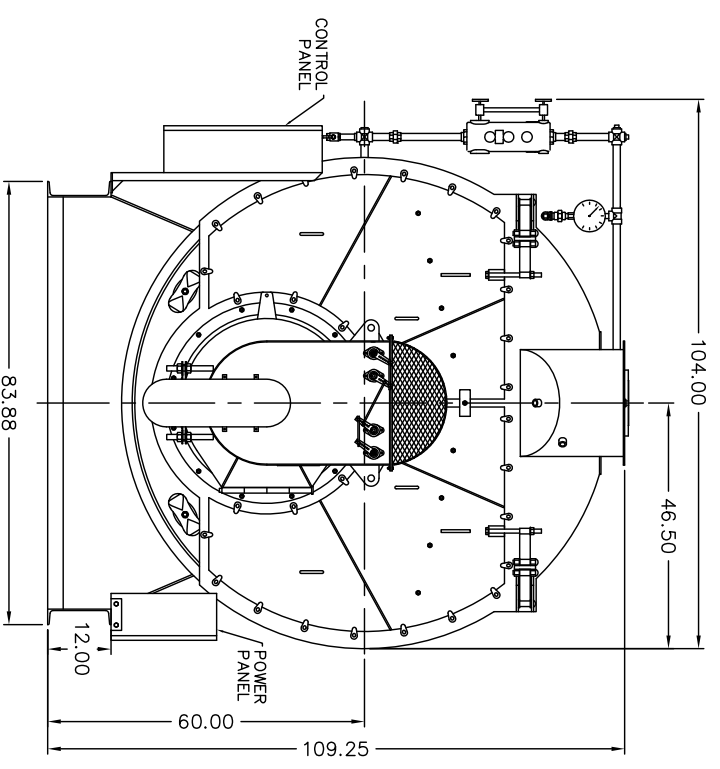
REVISIONS

A 1-15-07 JRS

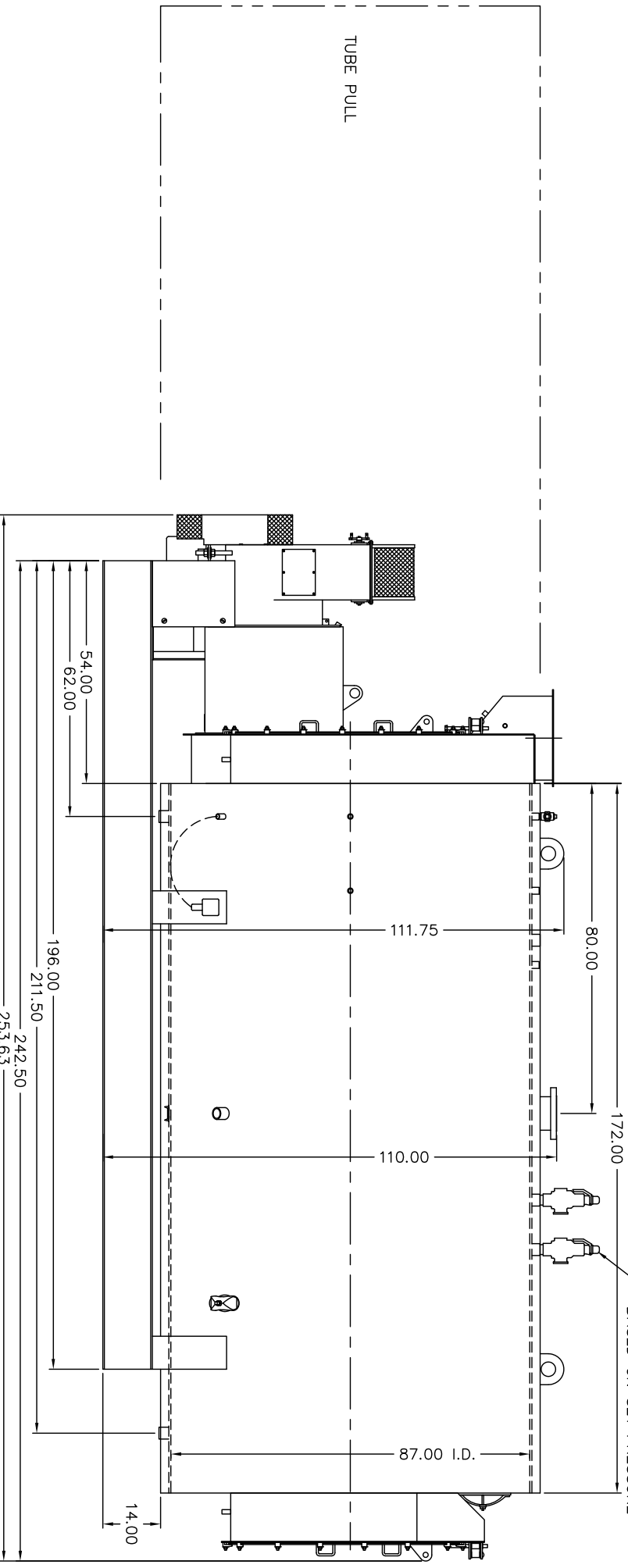
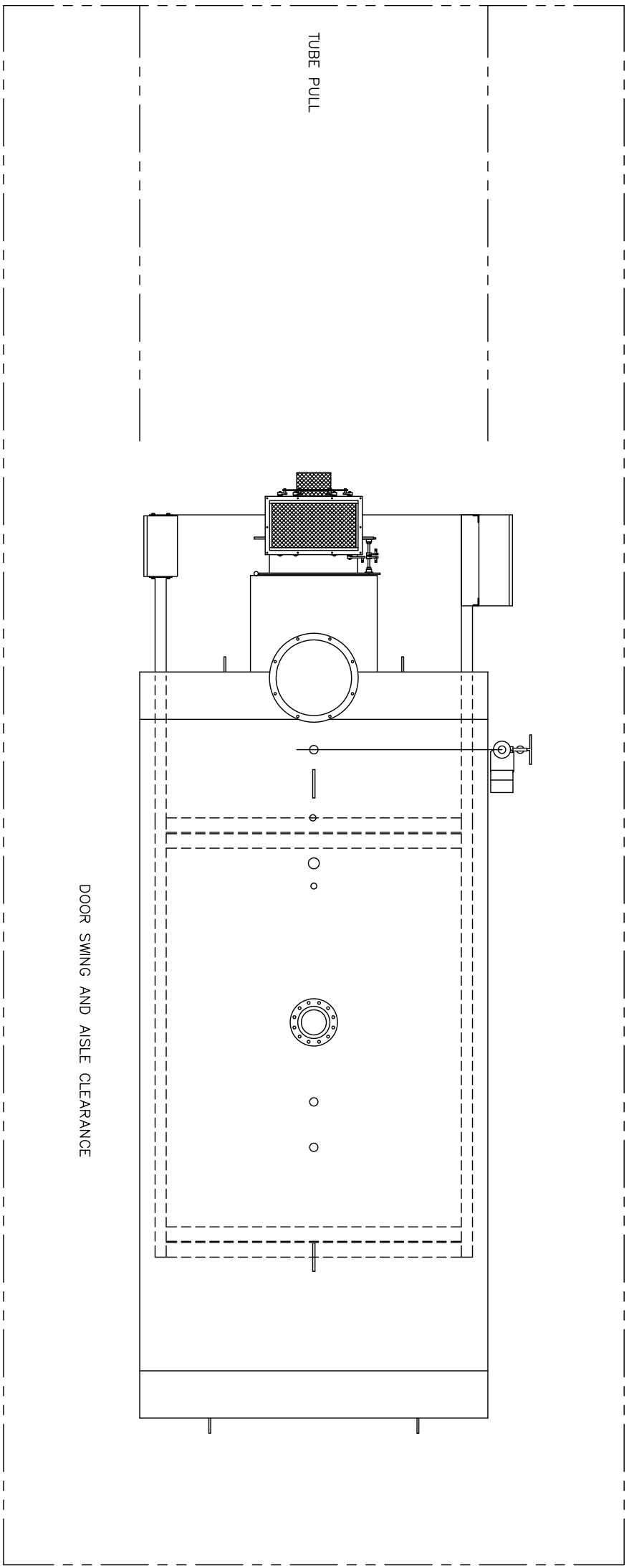
ADDED PANELS,  
UPDATED BURNER,  
ADDED ALL  
CONNECTIONS TO TOP  
VIEW.

B 3-19-10 CW

REV'D SAFETY VALVE  
LOCATION.



- NOTES:
1. MINIMUM AISLE CLEARANCE 36" FROM BOILER SIDES AND REAR. (THIS REQUIREMENT MAY VARY WITH LOCATION. CHECK STATE AND LOCAL CODES IN THE AREA OF INSTALLATION.)
  2. OPTIONS AND ADDITIONAL EQUIPMENT ORDERED MAY AFFECT OVERALL DIMENSIONS. DRAWINGS ARE FOR STANDARD BOILER PACKAGE.



REFERENCE DRAWINGS:  
BLWR HOUSING: #235A0123  
PLENUM: #212B0069  
PV: #101B0718  
PV BASE: #201B0234  
FR FLUE BOX: #205B0132  
RR FLUE BOX: #206B0141



THIS DRAWING IS THE  
PROPERTY OF THE JOHNSTON  
BOILER COMPANY. THE  
DISCLOSURES CONTAINED ON  
THIS DRAWING ARE MADE  
WITH THE UNDERSTANDING  
THAT THEY ARE CONFIDENTIAL  
AND WILL NOT BE USED IN  
ANY WAY DETRIMENTAL TO  
THIS COMPANY'S INTEREST.

SCALE	CAD/FULL	DATE	DATE	SCALE
CAD/FULL	CAD/FULL	8-17-00	8-17-00	
DRAWN	DRAWN	CSP	CSP	
CHECKED	CHECKED			
APPROVED	APPROVED			
DWG. NO.	300B0360-01			REV
	JOHNSTON BOILER COMPANY			B
	FERRYSBURG, MICHIGAN 49409			
	BOILER TEMPLATE - 509			
	PFTA350-4-150#S			