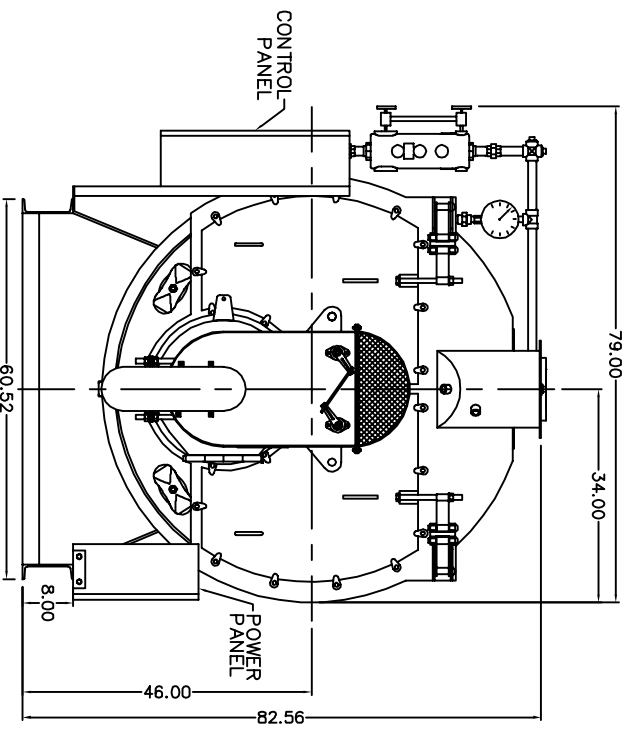
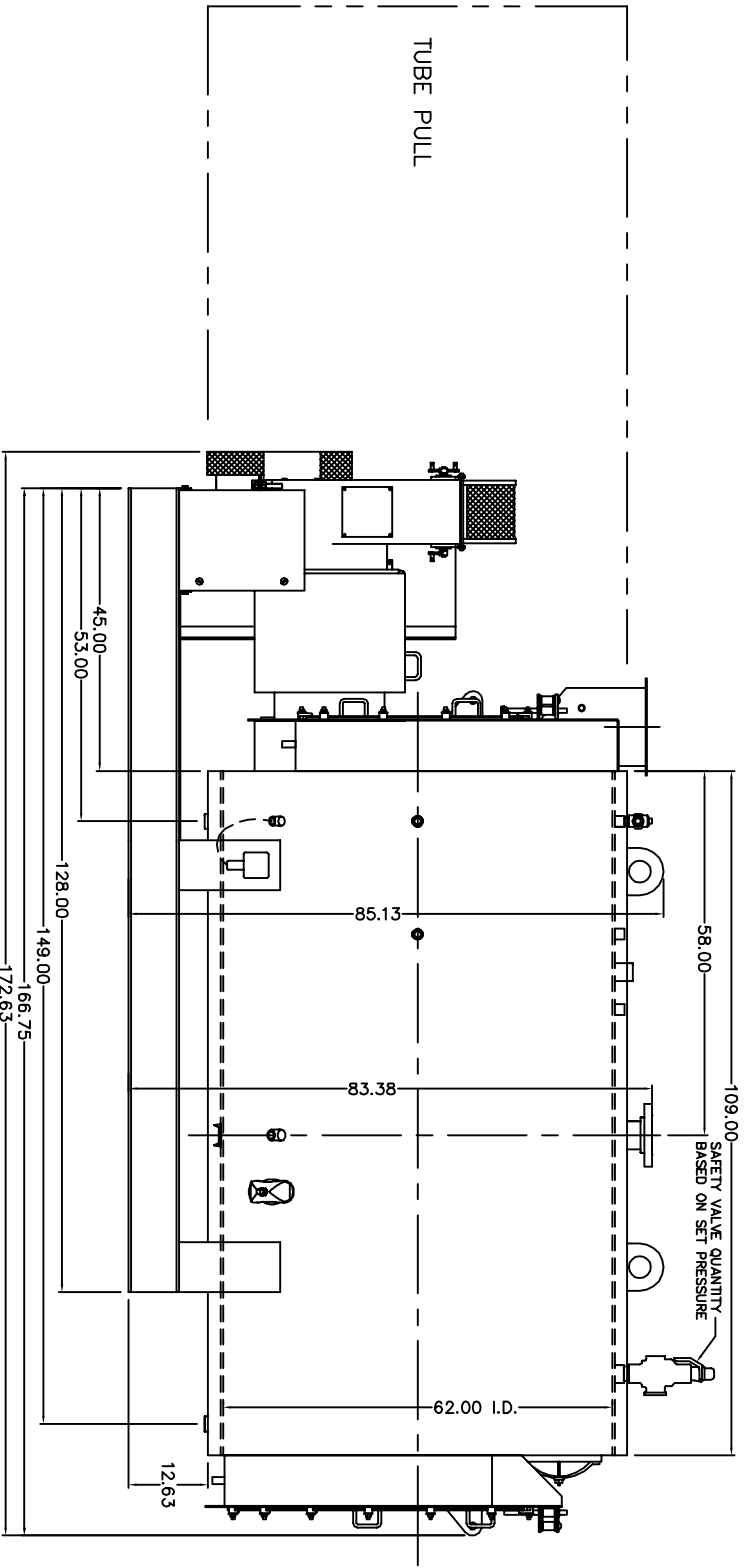
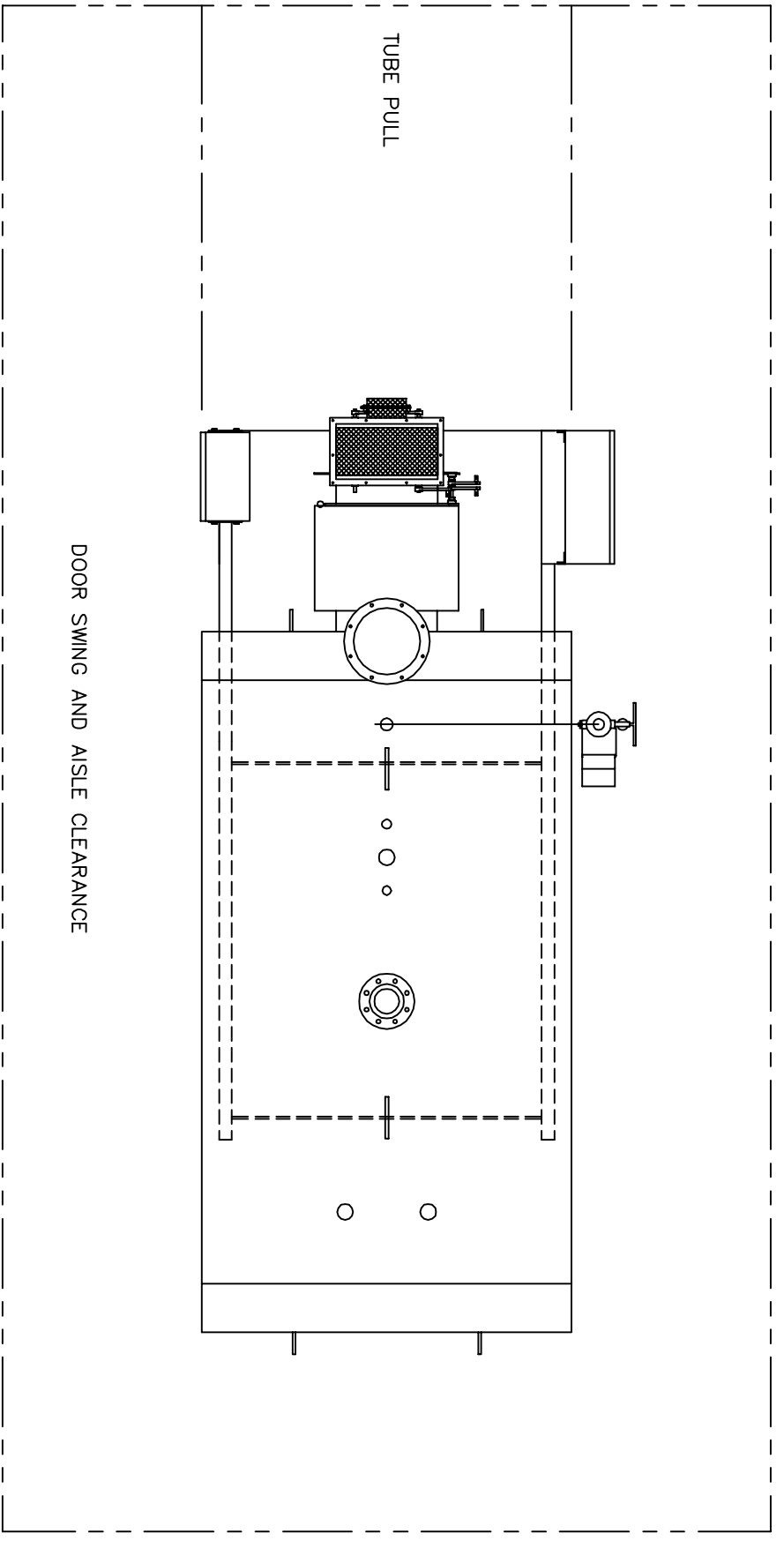


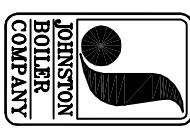
ADDED PANELS, BURNER, WATER COLUMN, ADDED CONNECTIONS TO TOP VIEW



- NOTES:
1. MINIMUM AISLE CLEARANCE 36" FROM BOILER SIDES AND REAR. (THIS REQUIREMENT MAY VARY WITH LOCATION. CHECK STATE AND LOCAL CODES IN THE AREA OF INSTALLATION.)
  2. OPTIONS AND ADDITIONAL EQUIPMENT ORDERED MAY AFFECT OVERALL DIMENSIONS. DRAWINGS ARE FOR STANDARD BOILER PACKAGE.



REFERENCE DRAWINGS  
 PV: #101B0902  
 PV BASE: #201B0260  
 RR FLUE BOX: #205B0160  
 RR FLUE BOX: #206B0155  
 BLWR HOUSING: #235A0101  
 PLENUM: #212B0163



THIS DRAWING IS THE PROPERTY OF THE JOHNSTON BOILER COMPANY. THE DISCLOSURES CONTAINED ON THIS DRAWING ARE MADE WITH THE UNDERSTANDING THAT THEY ARE CONFIDENTIAL AND WILL NOT BE USED IN ANY WAY DETRIMENTAL TO THIS COMPANY'S INTEREST.

SCALE: CAD/FULL  
 DATE: 11-8-00  
 DRAWN: DMB  
 CHECKED: [Signature]  
 APPROVED: [Signature]

JOHNSTON BOILER COMPANY  
 FERRYSBURG, MICHIGAN 49409  
 BOILER TEMPLATE - 509  
 PFTA 100-4-150#S  
 DWG. NO. 300B0370-01