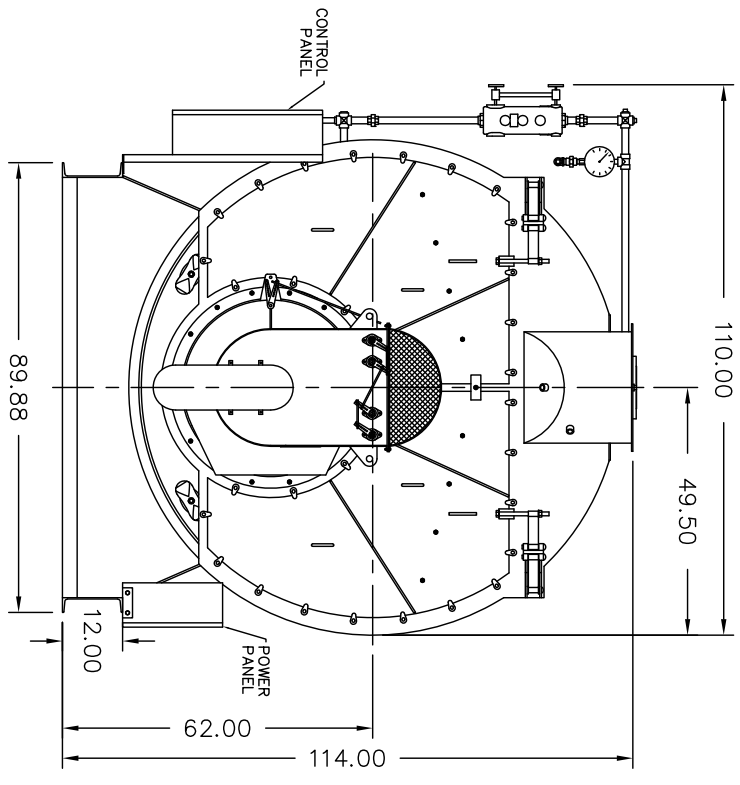


DWG NO.
300B0361

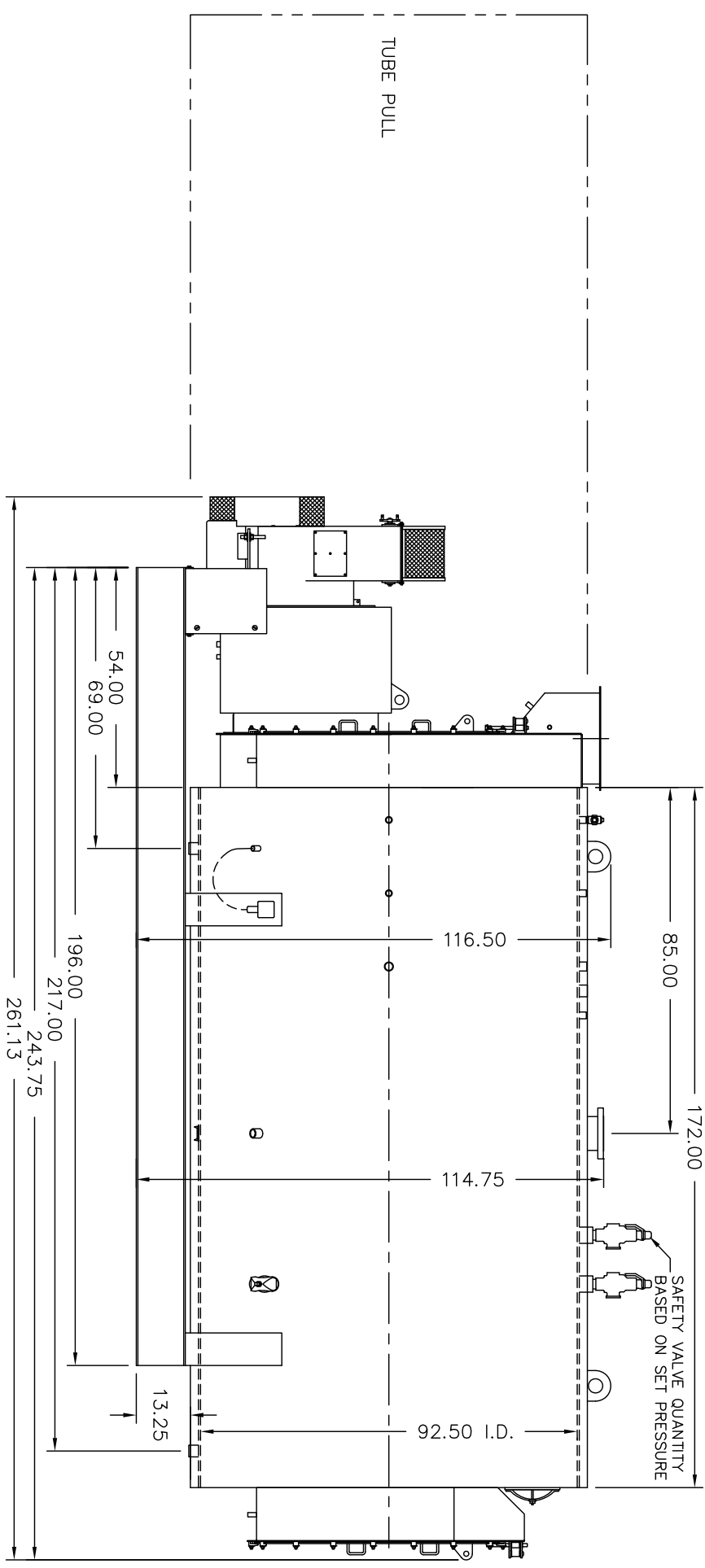
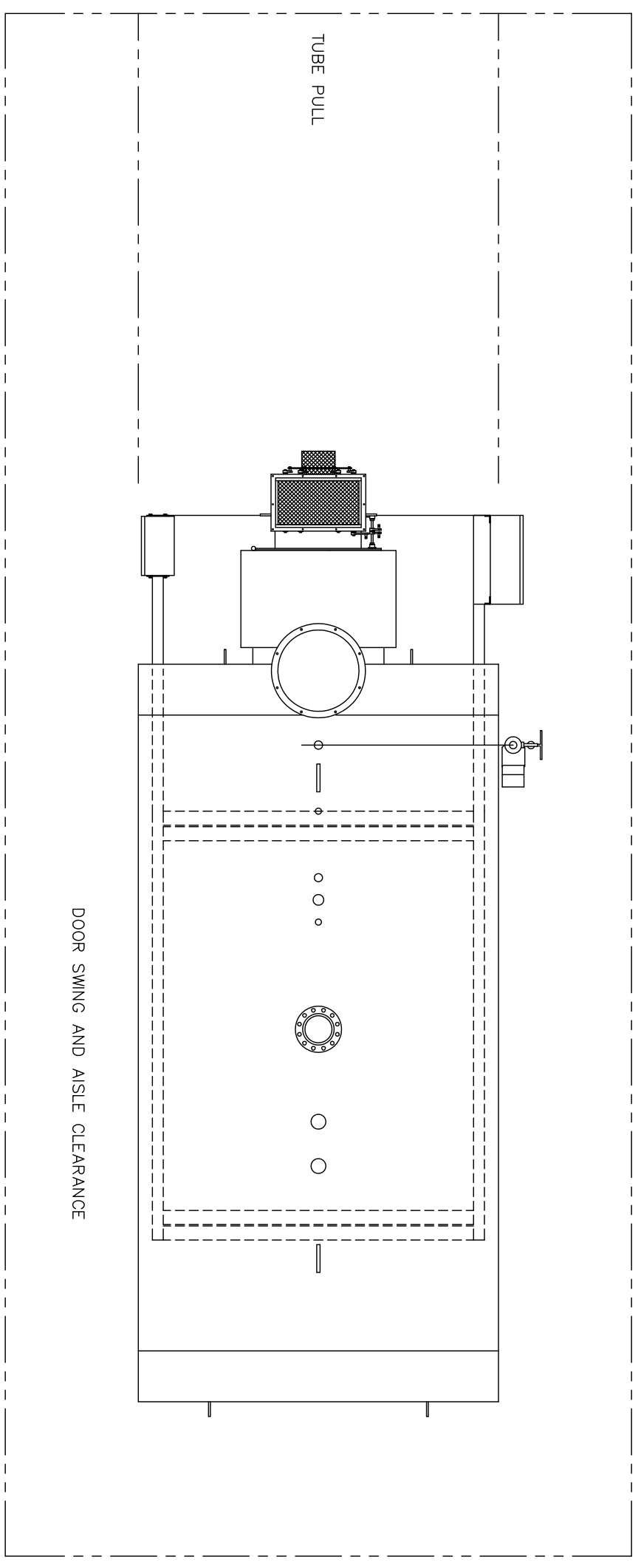
REVISIONS

A 1-15-07 JRS
UPDATED BURNER,
ADDED PANELS,
ADDED TOP
CENTERLINES
CONNECTIONS TO
TOP VIEW.

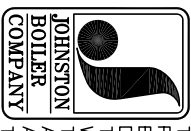
B 3-19-10 CW
REV'D SAFETY VALVE
LOCATION.



- NOTES:
1. MINIMUM AISLE CLEARANCE 36" FROM BOILER SIDES AND REAR. (THIS REQUIREMENT MAY VARY WITH LOCATION. CHECK STATE AND LOCAL CODES IN THE AREA OF INSTALLATION.)
 2. OPTIONS AND ADDITIONAL EQUIPMENT ORDERED MAY AFFECT OVERALL DIMENSIONS. DRAWINGS ARE FOR STANDARD BOILER PACKAGE.



REFERENCE DRAWINGS
BLWR HOUSING: #235A0144
PLENUM: #212B0148
PV: #101B0720
FR FLUE BASE: #201B0226
FR FLUE BOX: #205B0133
RR FLUE BOX: #206B0151



THIS DRAWING IS THE
PROPERTY OF THE JOHNSTON
BOILER COMPANY. THE
DISCLOSURES CONTAINED ON
THIS DRAWING ARE MADE
WITH THE UNDERSTANDING
THAT THEY ARE CONFIDENTIAL
AND WILL NOT BE USED IN
ANY WAY DETRIMENTAL TO
THIS COMPANY'S INTEREST.

SCALE: CAD/FULL
DATE: 11-15-00
DRAWN: GSP
CHECKED: PFT
APPROVED: PFT
JOHNSTON BOILER COMPANY
FERRYSBURG, MICHIGAN 49409
BOILER TEMPLATE - 509
PFTA400-4-150#S

DWG. NO. 300B0361-01
REV B