

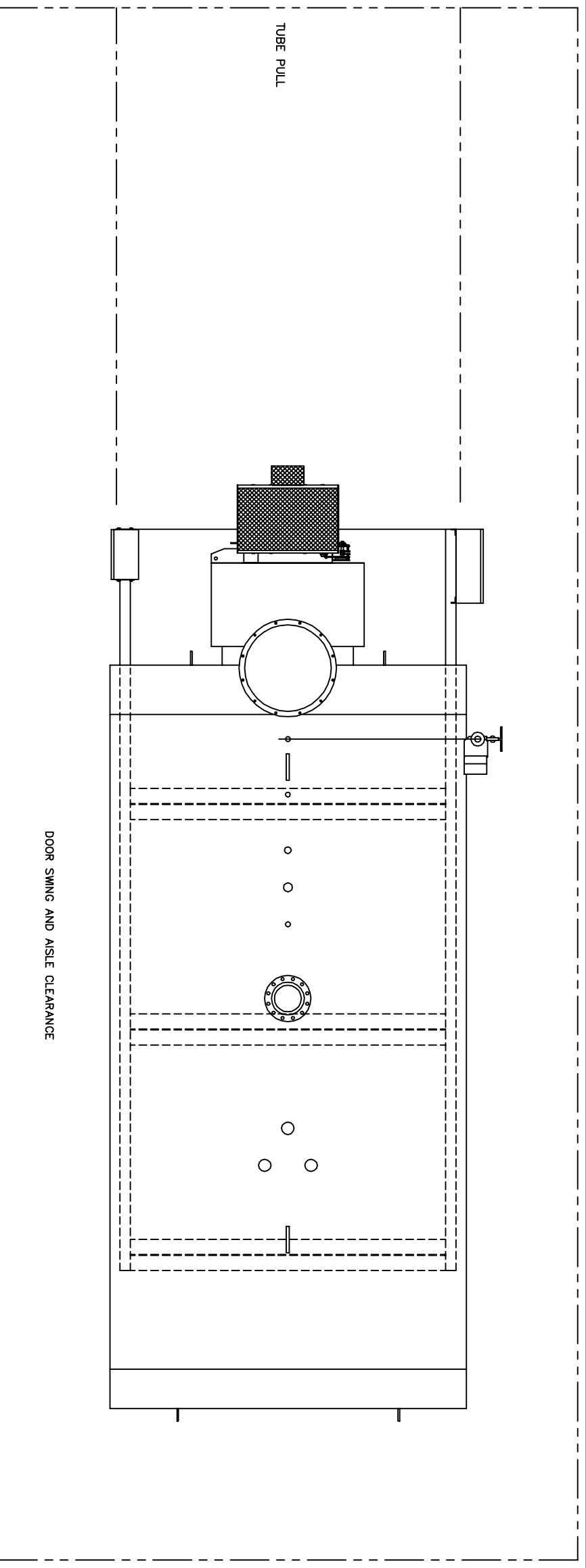
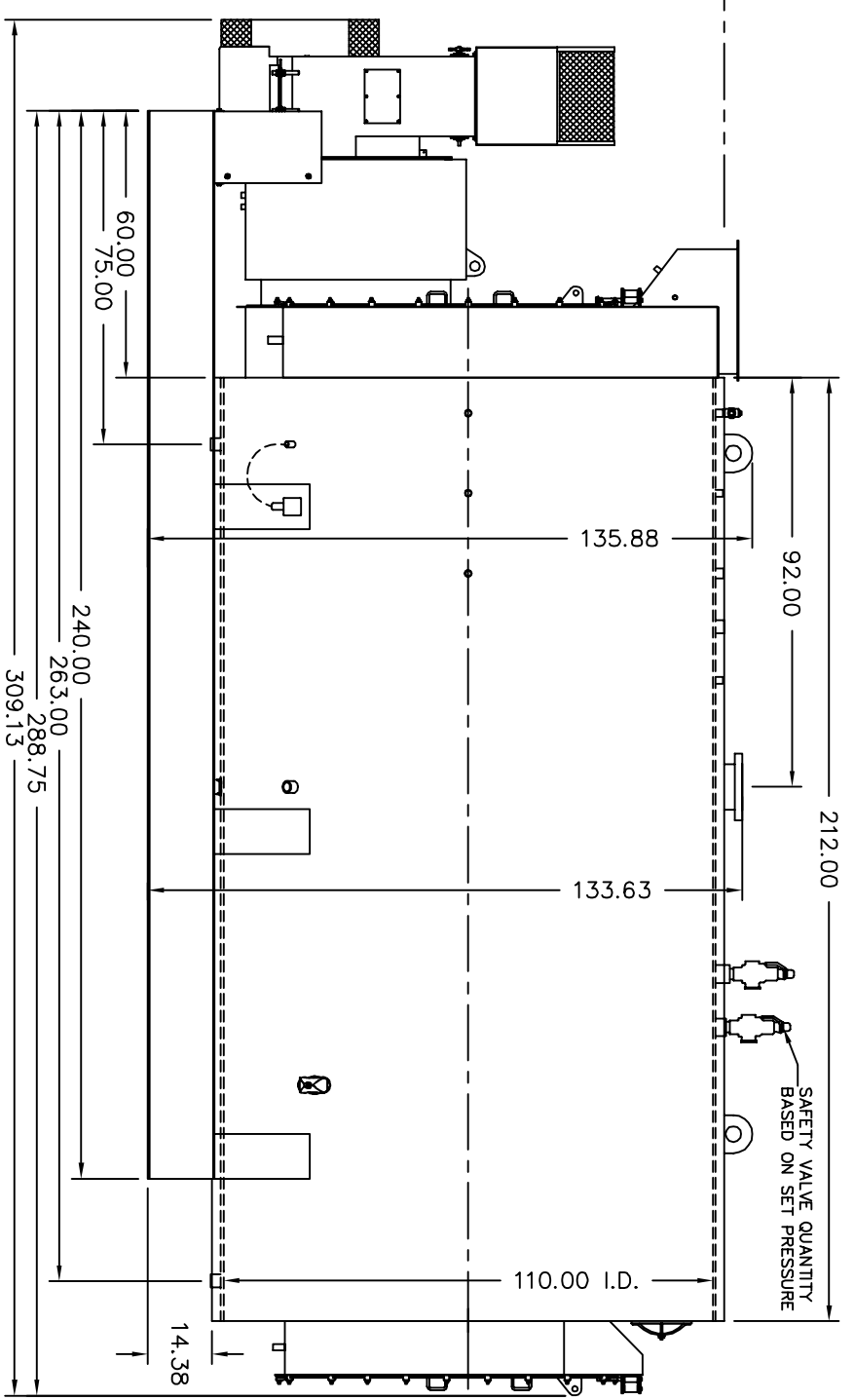
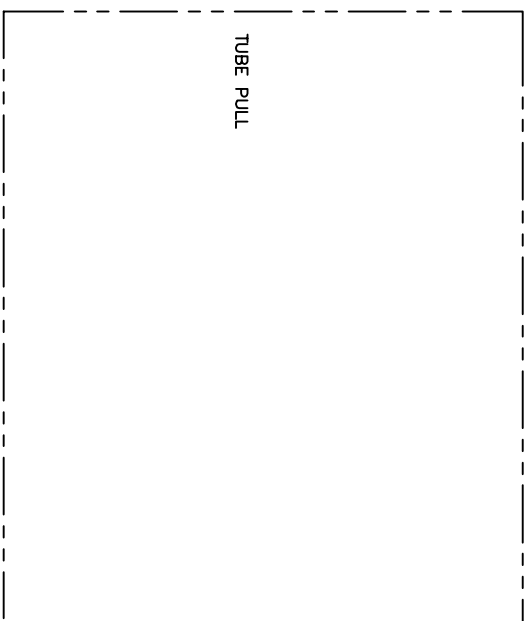
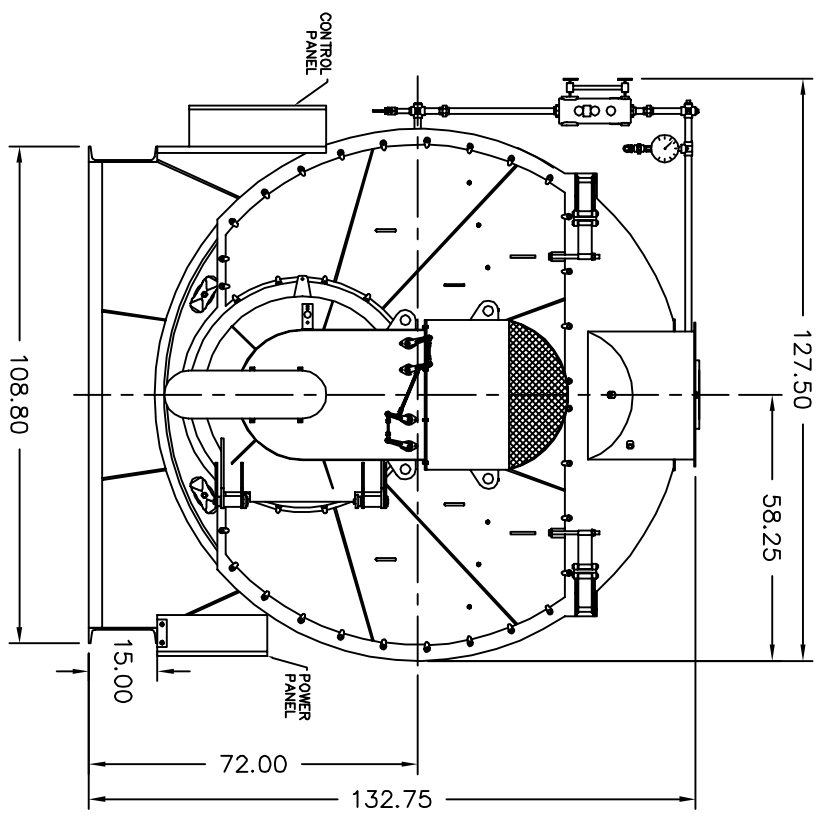
DWG NO. 300B0363

REVISIONS

A 03-30-01 CSP  
ADDED INFO. TO NOTE #1

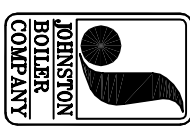
B 06-08-02 MTN/SMB  
BASE LENGTH 240.00 WAS 241.00. & HEIGHT DIM'S 72.00 & 132.75 WERE 71.375 & 132.125

C 1-23-07 JRS  
CHANGED STACK OUTLET DIAMETER, ADDED PANELS, UPDATED BURNER, ADDED TOP CENTERLINE CONNECTIONS



- NOTES:
1. MINIMUM AISLE CLEARANCE 36" FROM BOILER SIDES AND REAR. (THIS REQUIREMENT MAY VARY WITH LOCATION. CHECK STATE AND LOCAL CODES IN THE AREA OF INSTALLATION.)
  2. OPTIONS AND ADDITIONAL EQUIPMENT ORDERED MAY AFFECT OVERALL DIMENSIONS. DRAWINGS ARE FOR STANDARD BOILER PACKAGE.

REFERENCE DRAWINGS  
 BLWR HOUSING: #216B0122  
 PLENUM: #212B0156  
 P.V. BASE: #101B0742  
 RR FLUE BOX: #205B0149  
 #206B0139



THIS DRAWING IS THE PROPERTY OF THE JOHNSTON BOILER COMPANY. THE DISCLOSURES CONTAINED ON THIS DRAWING ARE MADE WITH THE UNDERSTANDING THAT THEY ARE CONFIDENTIAL AND WILL NOT BE USED IN ANY WAY DETRIMENTAL TO THIS COMPANY'S INTEREST.

SCALE: CAD/FULL  
 DATE: 11/13/00  
 DRAWN: CSP  
 CHECKED: [Signature]

JOHNSTON BOILER COMPANY  
 FERRYSBURG, MICHIGAN 49409  
 BOILER TEMPLATE - 509  
 PFTA750-4-150#S

DWG NO. 300B0363-01  
 REVISION C