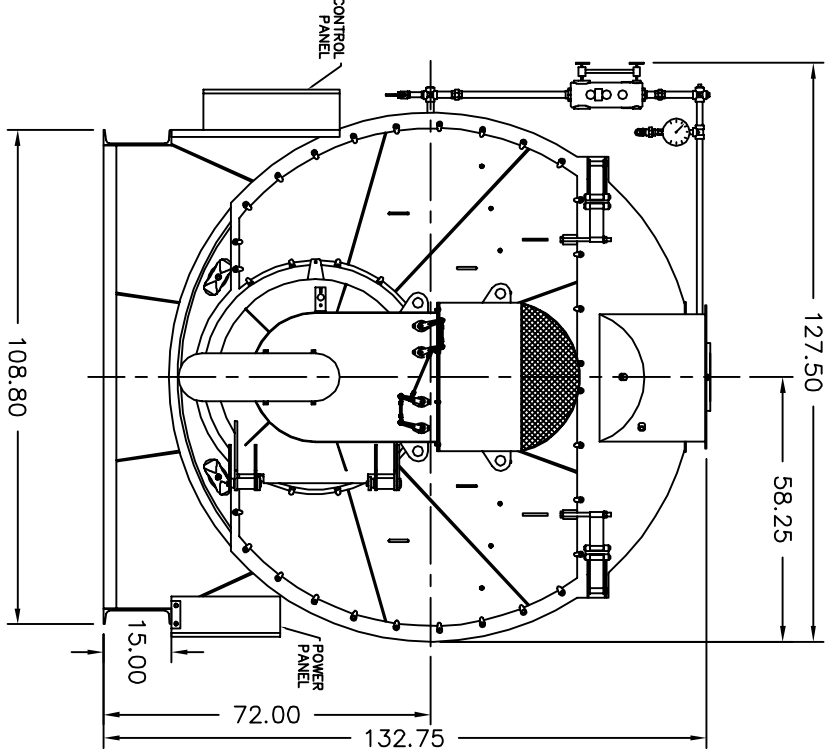
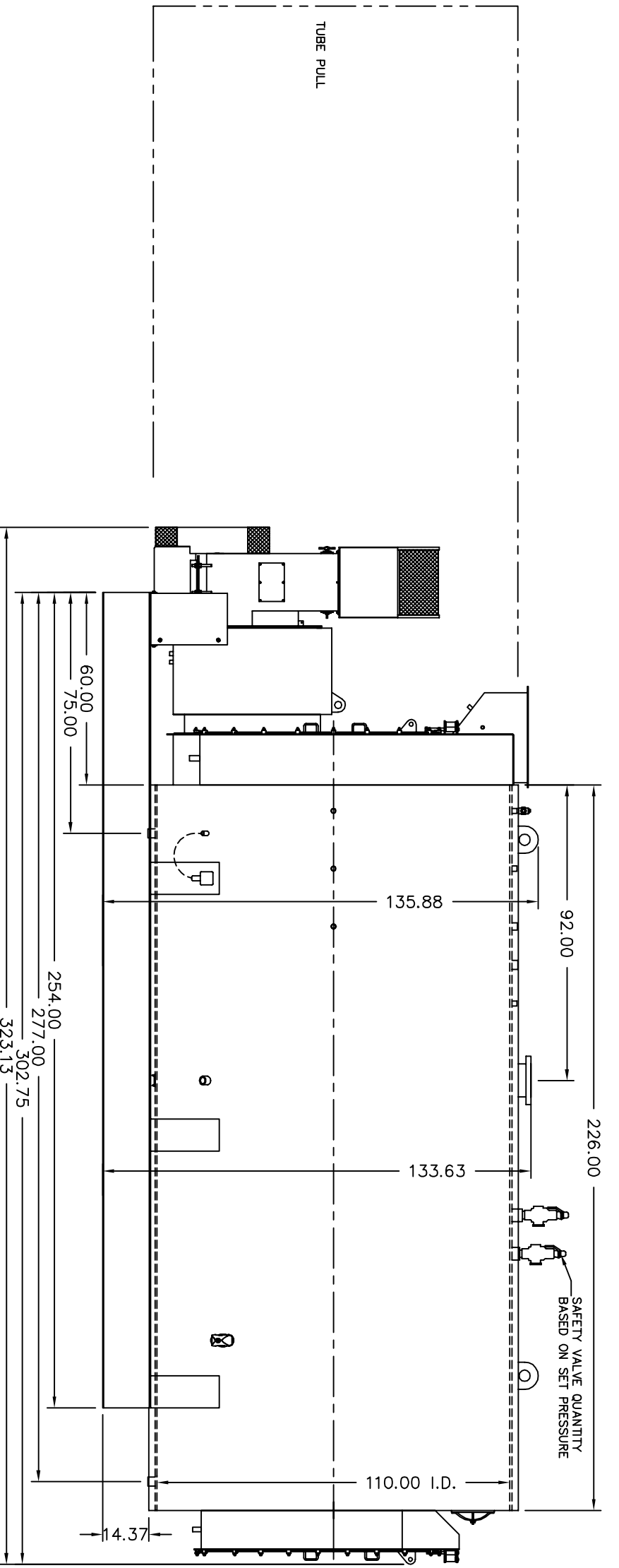
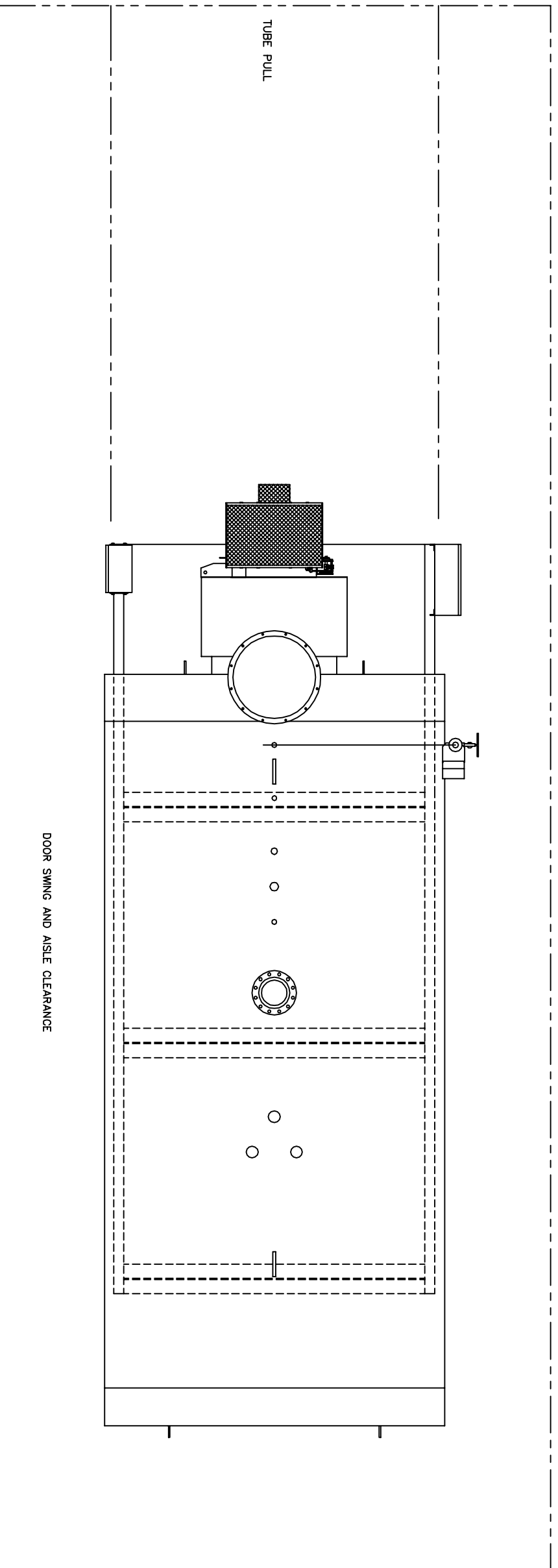


NOTES:

1. MINIMUM AISLE CLEARANCE 36" FROM BOILER SIDES AND REAR. (THIS REQUIREMENT MAY VARY WITH LOCATION. CHECK STATE AND LOCAL CODES IN THE AREA OF INSTALLATION.)
2. OPTIONS AND ADDITIONAL EQUIPMENT ORDERED MAY AFFECT OVERALL DIMENSIONS. DRAWINGS ARE FOR STANDARD BOILER PACKAGE.



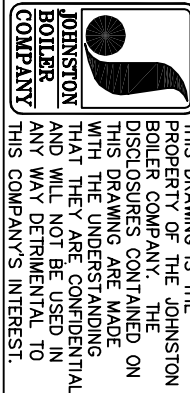
DWG NO. 300B0371

REVISIONS

A 1-23-07 JRS

CHANGED STACK DIAMETER, ADDED ALL CONNECTIONS TO TOP VIEW, UPDATED BURNER, ADDED PANELS.

REFERENCE DRAWINGS:  
 BLWR HOUSING: #21680122  
 PLENUM: #21280156  
 P.V. BASE: #10180742  
 FR FLUE BOX: #20180251  
 RR FLUE BOX: #20380149  
 #20680139



THIS DRAWING IS THE PROPERTY OF THE JOHNSTON BOILER COMPANY. THE DISCLOSURES CONTAINED ON THIS DRAWING ARE MADE WITH THE UNDERSTANDING THAT THEY ARE CONFIDENTIAL AND WILL NOT BE USED IN ANY WAY DETRIMENTAL TO THE COMPANY'S INTEREST.

SCALE	CAD/FULL	DATE	11-13-00
DRAWN	CSP	CHECKED	
APPROVED			
DWG. NO.	300B0371-01		
SO#	JOHNSTON BOILER COMPANY FERRYSBURG, MICHIGAN 49409		
	BOILER TEMPLATE - 509		
	PFTA800-4-150#S		

REV A