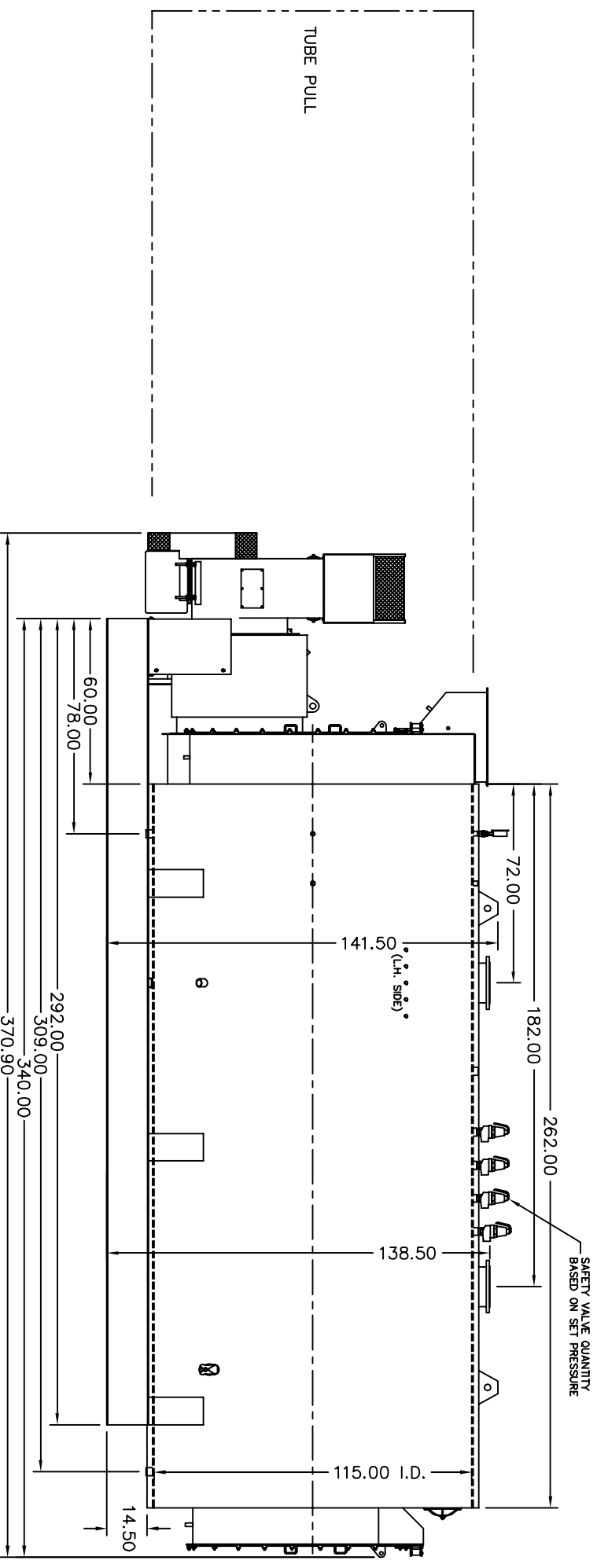
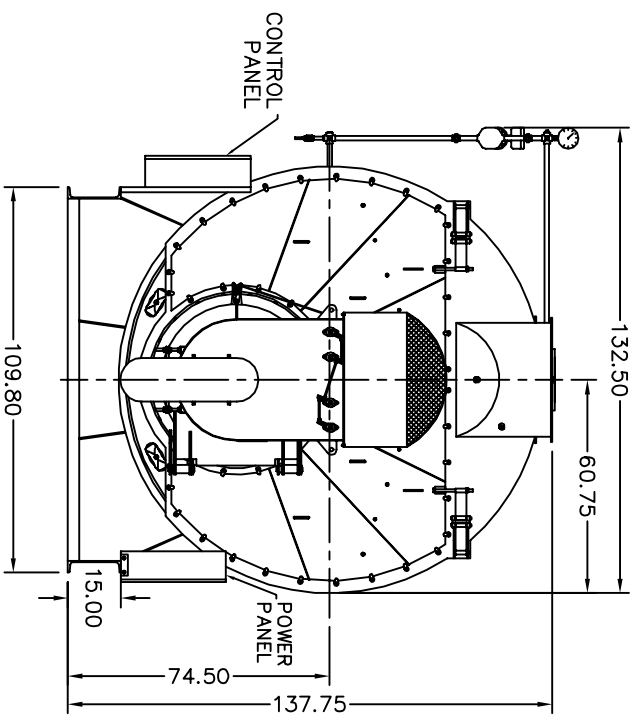
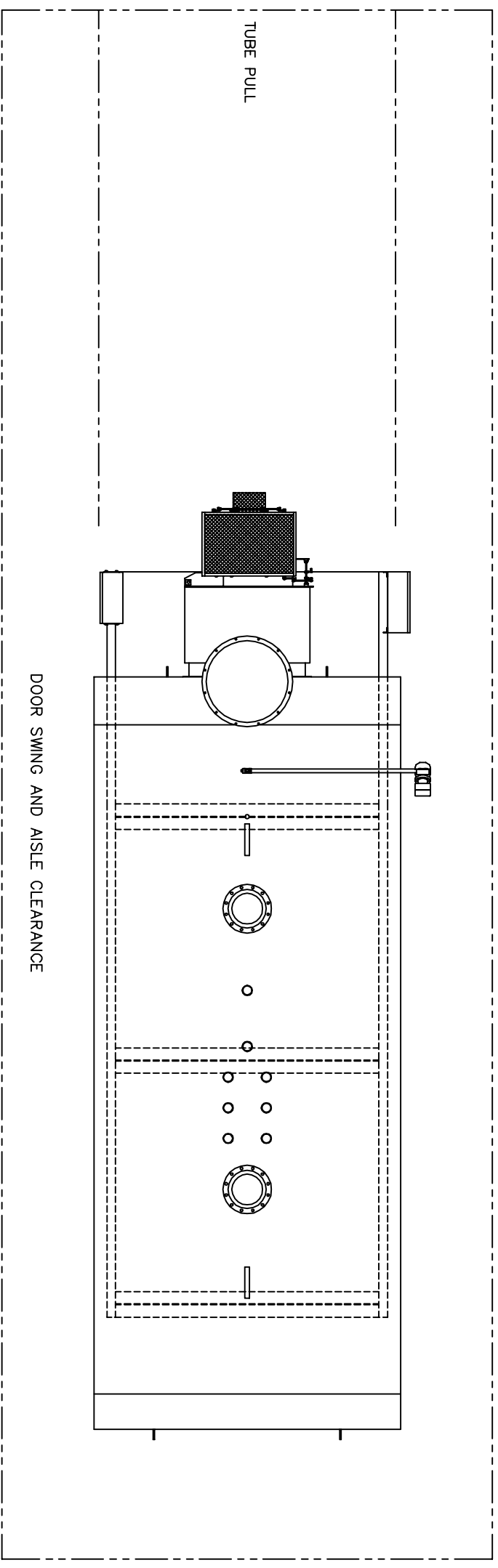


- NOTES:
1. MINIMUM AISLE CLEARANCE 36" FROM BOILER SIDES AND REAR. (THIS REQUIREMENT MAY VARY WITH LOCATION. CHECK STATE AND LOCAL CODES IN THE AREA OF INSTALLATION.)
 2. OPTIONS AND ADDITIONAL EQUIPMENT ORDERED MAY AFFECT OVERALL DIMENSIONS. DRAWINGS ARE FOR STANDARD BOILER PACKAGE.



DWG NO. 300B0463

REVISIONS

NO.	DESCRIPTION

REFERENCE DRAWINGS

BLWR HOUSING: #235A0130
 PLENUM: #212B0167
 PV: #101B0946
 PV BASE: #201B0225
 RR FLUE BOX: #205B0154
 RR FLUE BOX: #205B0150



THIS DRAWING IS THE PROPERTY OF THE JOHNSTON BOILER COMPANY. THE DISCLOSURES CONTAINED ON THIS DRAWING ARE MADE WITH THE UNDERSTANDING THAT THEY ARE CONFIDENTIAL AND WILL NOT BE USED IN ANY WAY DETRIMENTAL TO THIS COMPANY'S INTEREST.

SCALE: CAD/FULL
 DATE: 2-26-07
 DRAWN: MRS
 CHECKED: [Signature]
 APPROVED: [Signature]

JOHNSTON BOILER COMPANY
 FERRYSBURG, MICHIGAN 49409
 BOILER TEMPLATE - 509
 PFTA1000-4-30#W
 DWG. NO. 300B0463-01

So#
 REV