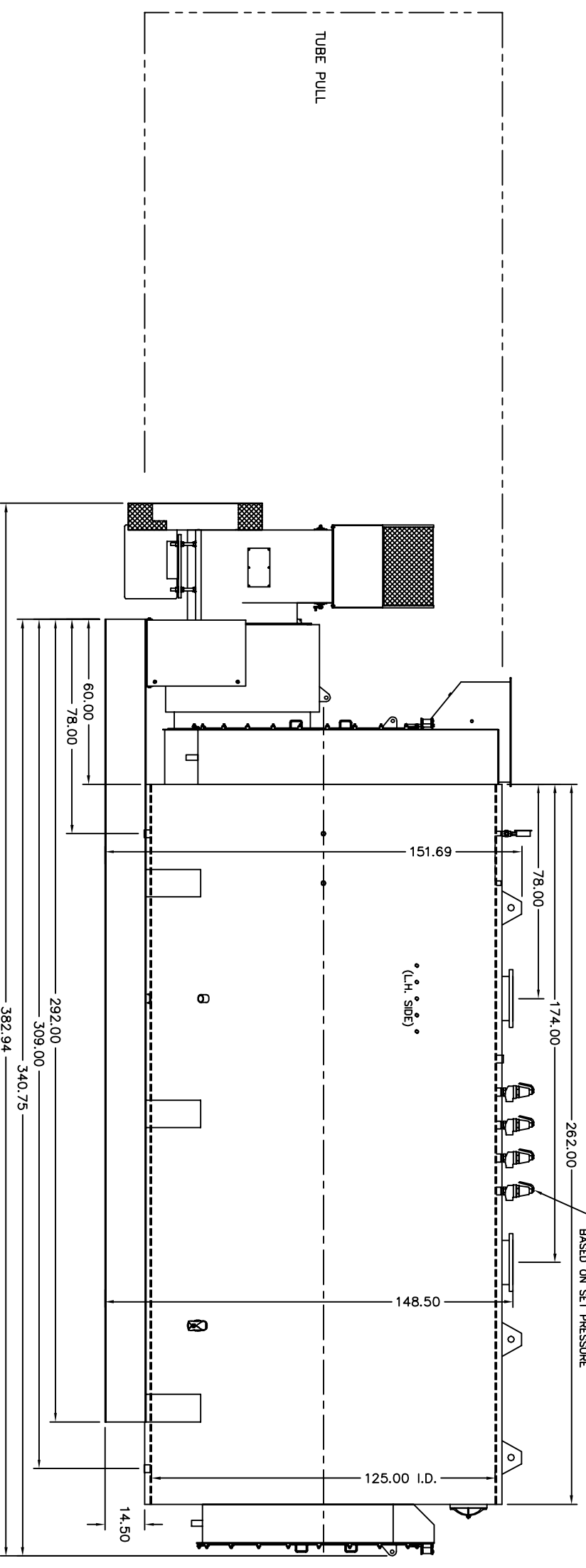
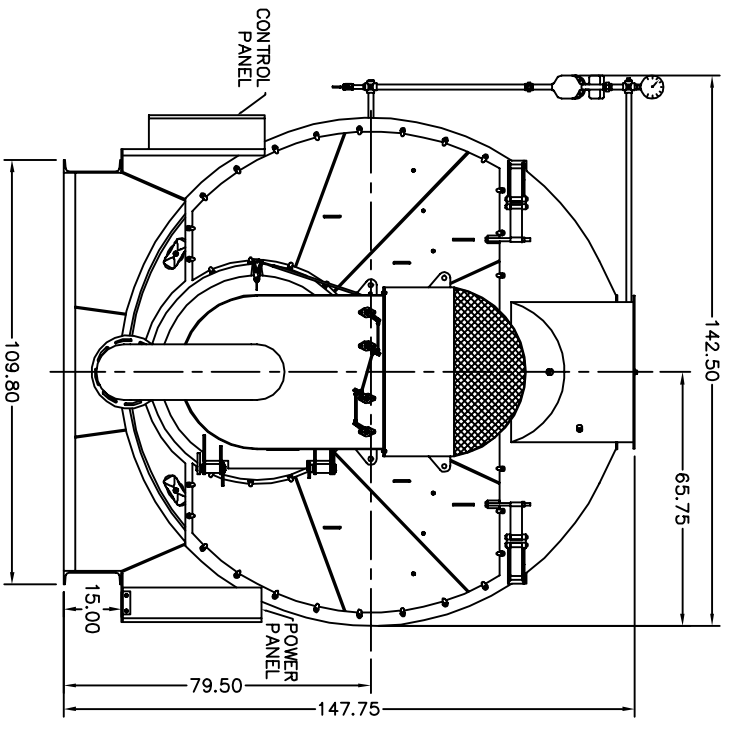
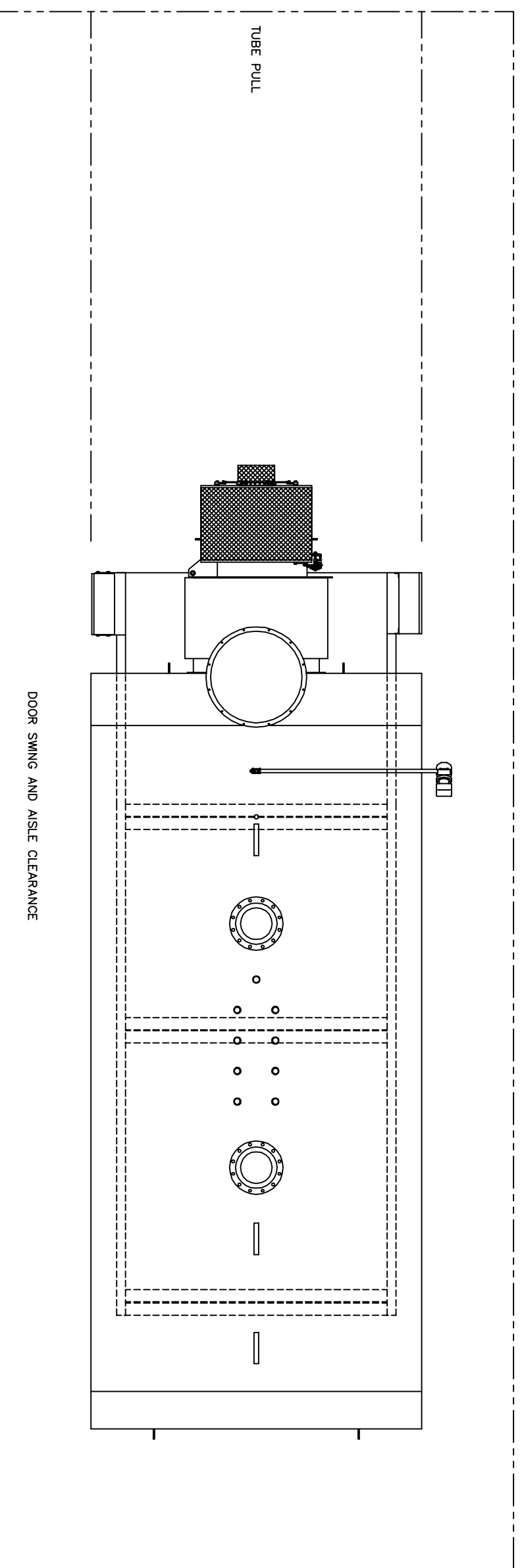


- NOTES:
1. MINIMUM AISLE CLEARANCE 36" FROM BOILER SIDES AND REAR. (THIS REQUIREMENT MAY VARY WITH LOCATION. CHECK STATE AND LOCAL CODES IN THE AREA OF INSTALLATION.)
 2. OPTIONS AND ADDITIONAL EQUIPMENT ORDERED MAY AFFECT OVERALL DIMENSIONS. DRAWINGS ARE FOR STANDARD BOILER PACKAGE.



DWG NO. 300B0464

REVISIONS

NO.	DESCRIPTION

REFERENCE DRAWINGS

BLWR HOUSING: #216B0125
 PLENUM: #212B0175
 PV: #101B0944
 PV BASE: #201B0263
 FR FLUE BOX: #205B0162
 RR FLUE BOX: #206B0159



THIS DRAWING IS THE PROPERTY OF THE JOHNSTON BOILER COMPANY. THE DISCLOSURES CONTAINED ON THIS DRAWING ARE MADE WITH THE UNDERSTANDING THAT THEY ARE CONFIDENTIAL AND WILL NOT BE USED IN ANY WAY DETRIMENTAL TO THE COMPANY'S INTEREST.

SCALE: CAD/FULL
 DATE: 2-26-07
 DRAWN: DRK
 CHECKED: DRK
 APPROVED: DRK

JOHNSTON BOILER COMPANY
 FERRYSBURG, MICHIGAN 49409

BOILER TEMPLATE - 509
 PFTA1200-4-30#W

DWG. NO. 300B0464-01