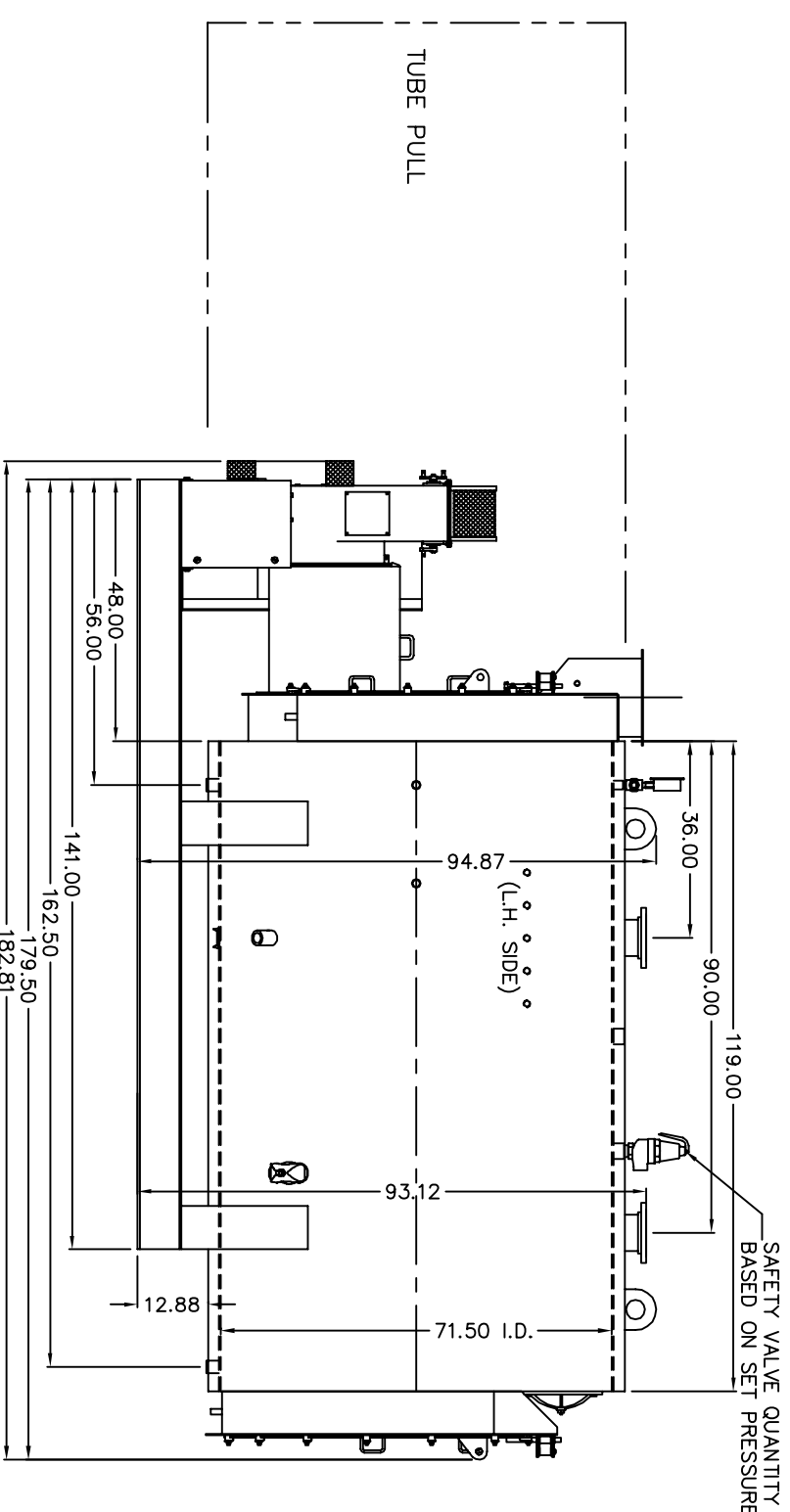
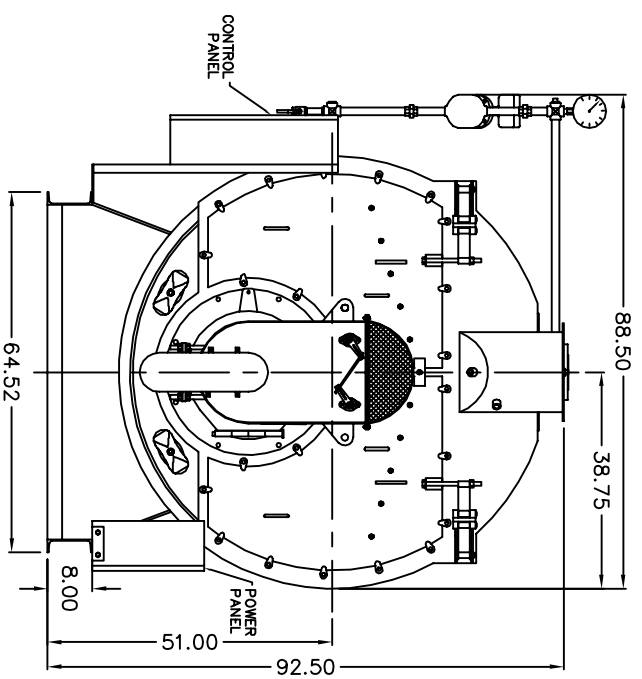
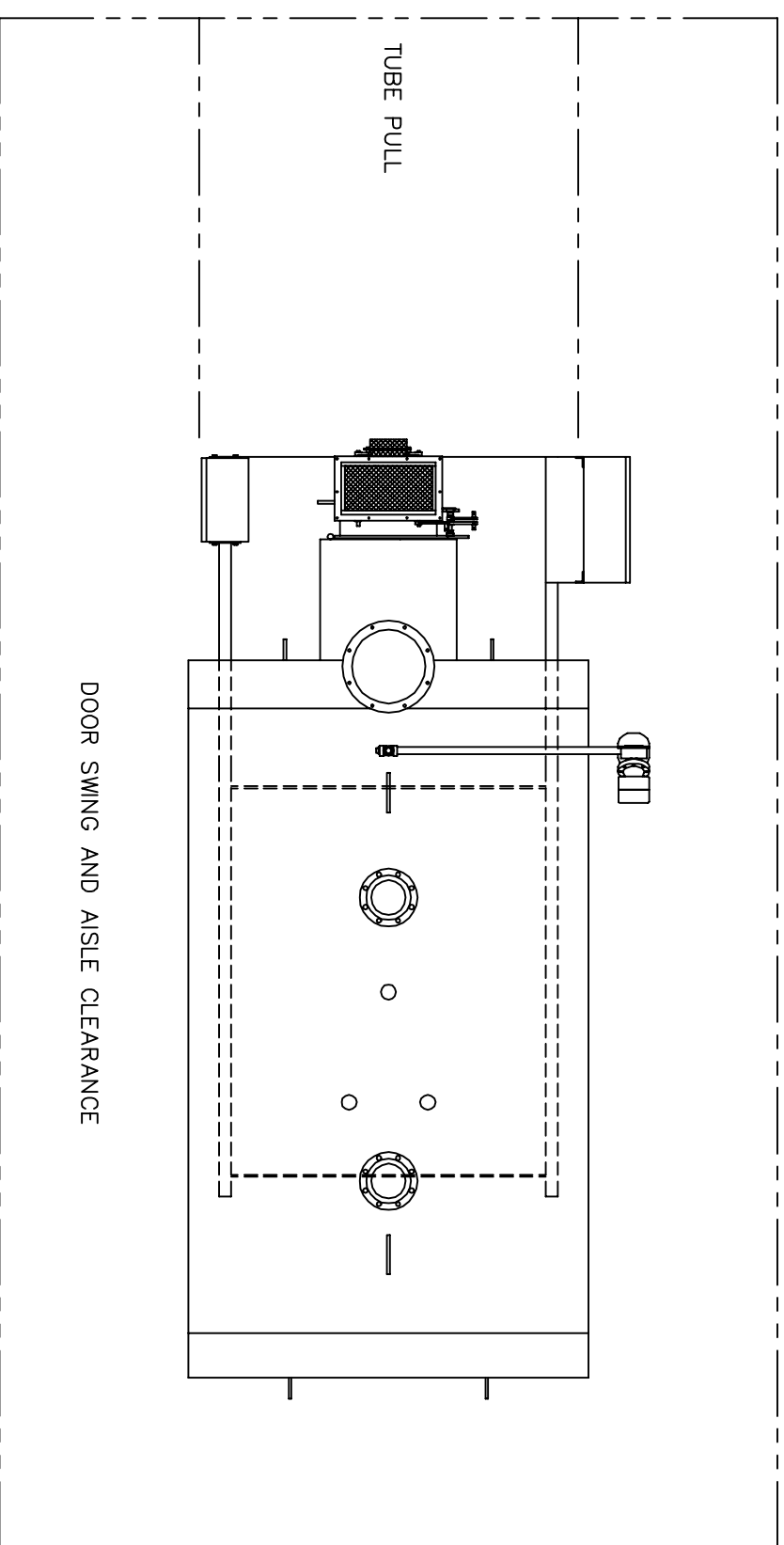


- NOTES:
1. MINIMUM AISLE CLEARANCE 36" FROM BOILER SIDES AND REAR. (THIS REQUIREMENT MAY VARY WITH LOCATION. CHECK STATE AND LOCAL CODES IN THE AREA OF INSTALLATION.)
 2. OPTIONS AND ADDITIONAL EQUIPMENT ORDERED MAY AFFECT OVERALL DIMENSIONS. DRAWINGS ARE FOR STANDARD BOILER PACKAGE.



DWG NO. 300B0452

REVISIONS

REFERENCE DRAWINGS:

P.V. BASE: #101B0921
 RR FLUE BOX: #201B0237
 BLWR HOUSING: #205B0135
 PLENUM: #206B0153
 #216B0112
 #212B0172



THIS DRAWING IS THE PROPERTY OF THE JOHNSTON BOILER COMPANY. THE DISCLOSURES CONTAINED ON THIS DRAWING ARE MADE WITH THE UNDERSTANDING THAT THEY ARE CONFIDENTIAL AND WILL NOT BE USED IN ANY WAY DETRIMENTAL TO THIS COMPANY'S INTEREST.

SCALE
 CAD/FULL
 DATE
 2-22-07

DRAWN
 JRS

CHECKED

APPROVED

JOHNSTON BOILER COMPANY
 FERRYSBURG, MICHIGAN 49409

BOILER TEMPLATE - 509

PFTA150-4-30#W

DWG. NO. 300B0452-01

REV