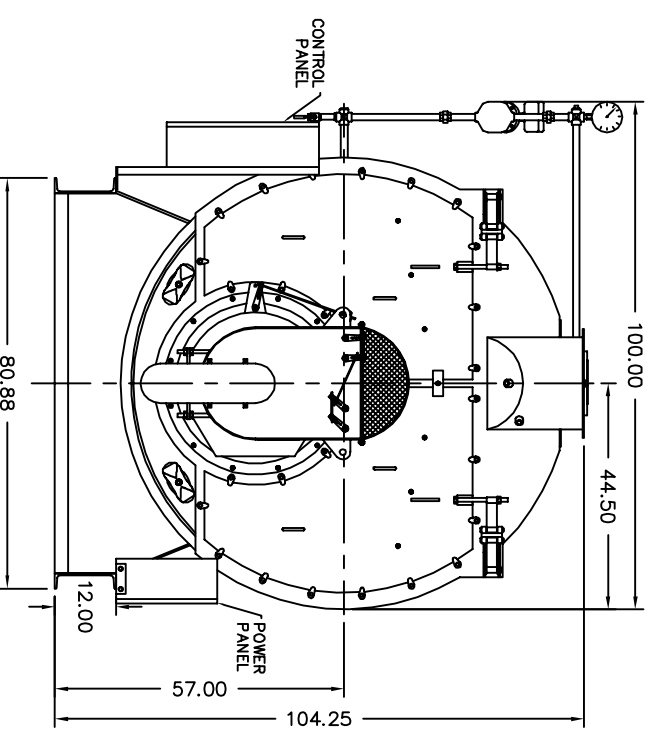
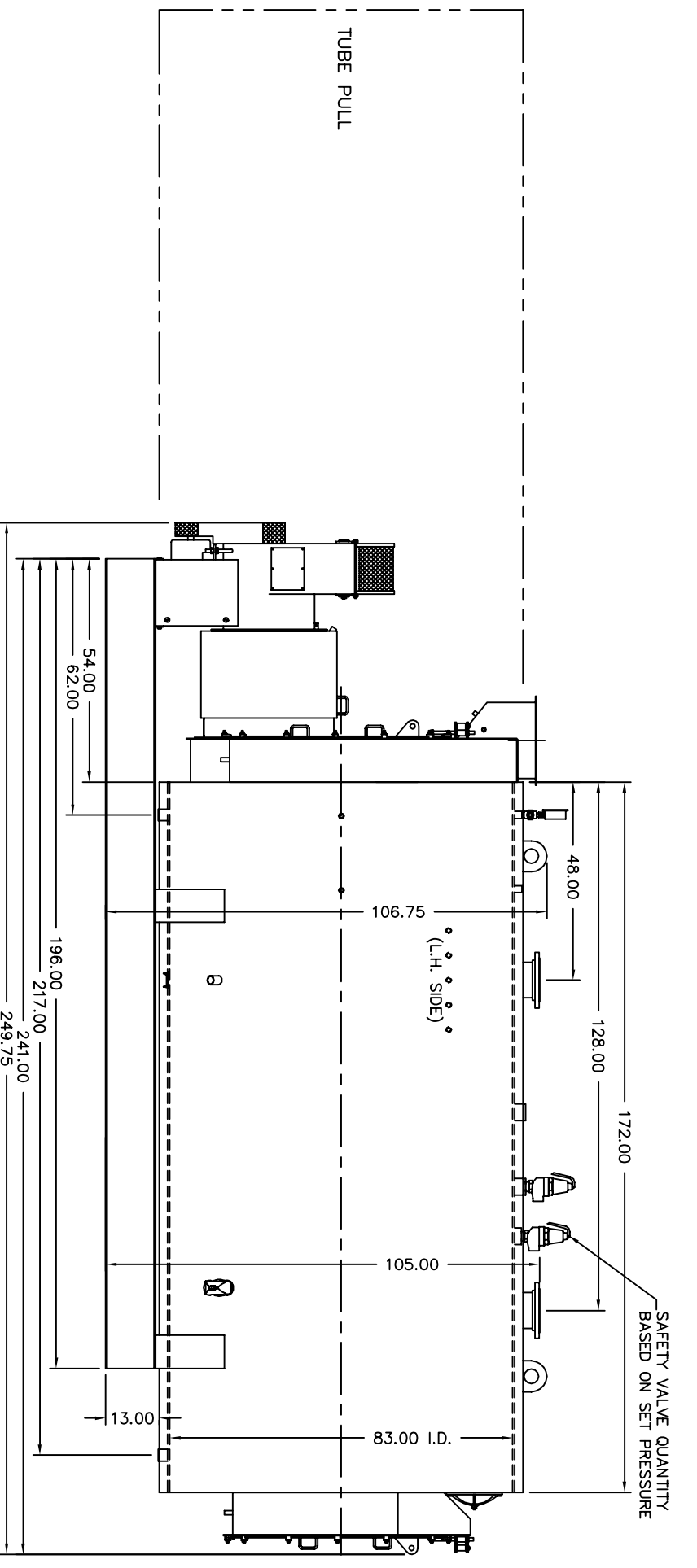
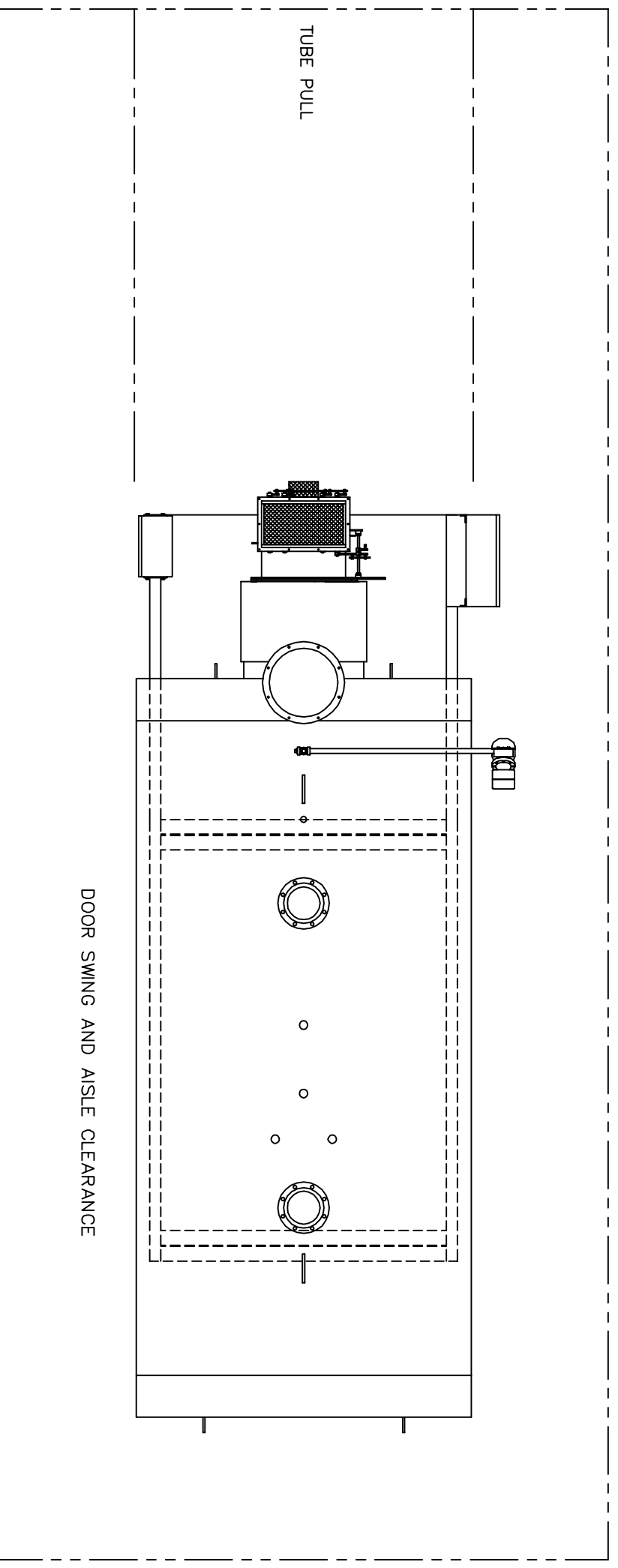


- NOTES:
1. MINIMUM AISLE CLEARANCE 36" FROM BOILER SIDES AND REAR. (THIS REQUIREMENT MAY VARY WITH LOCATION. CHECK STATE AND LOCAL CODES IN THE AREA OF INSTALLATION.)
 2. OPTIONS AND ADDITIONAL EQUIPMENT ORDERED MAY AFFECT OVERALL DIMENSIONS. DRAWINGS ARE FOR STANDARD BOILER PACKAGE.



DWG NO. 300B0455

REVISIONS

NO.	DESCRIPTION

REFERENCE DRAWINGS:
 BLWR HOUSING: #235A0127
 PLENUM: #212B0160
 PV: #101B0925
 PV BASE: #201B0259
 FFR FLUE BOX: #205B0158
 RR FLUE BOX: #206B0154

THIS DRAWING IS THE PROPERTY OF THE JOHNSTON BOILER COMPANY. THE DISCLOSURES CONTAINED ON THIS DRAWING ARE MADE WITH THE UNDERSTANDING THAT THEY ARE CONFIDENTIAL AND WILL NOT BE USED IN ANY WAY DETRIMENTAL TO THIS COMPANY'S INTEREST.

SCALE: CAD/FULL
 DATE: 2-23-07
 DRAWN: JRS
 CHECKED: JRS
 APPROVED: JRS

JOHNSTON BOILER COMPANY
 FERRYSBURG, MICHIGAN 49409

BOILER TEMPLATE - 509
 PFTA300-4-30#W

DWG NO. 300B0455-01