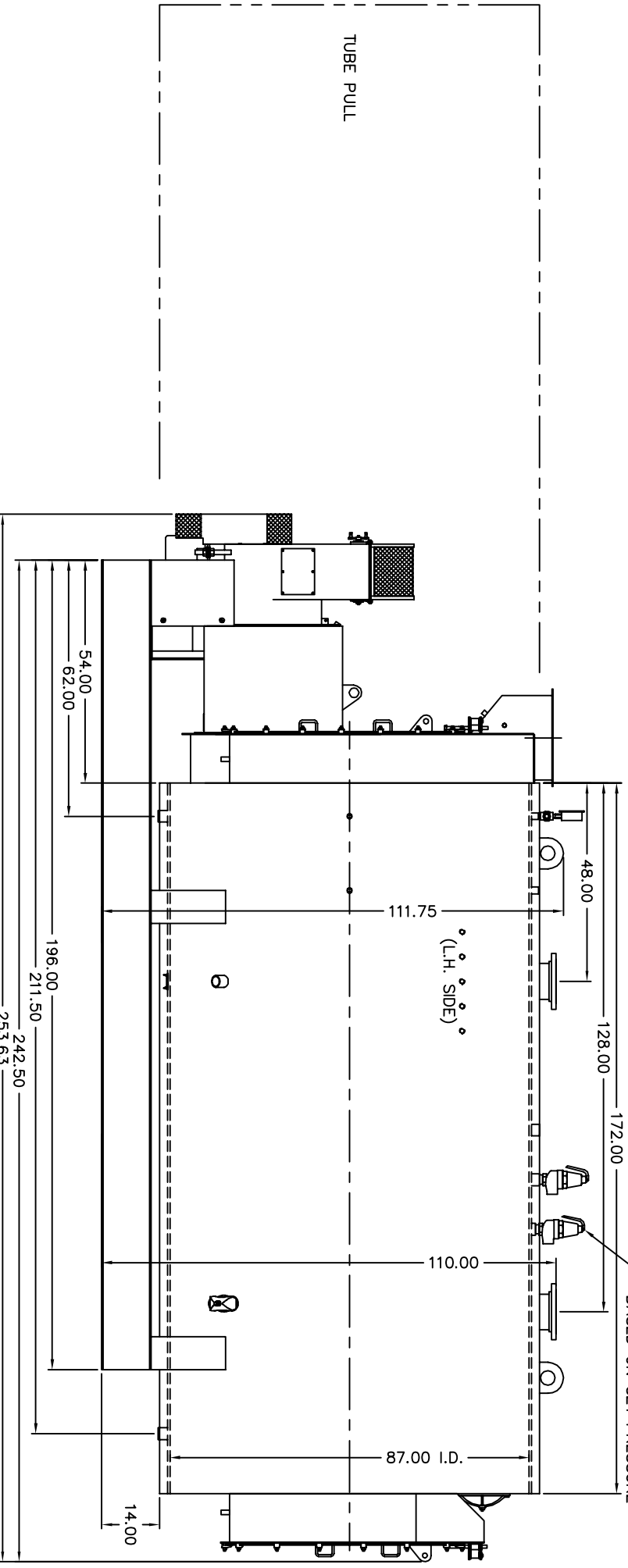
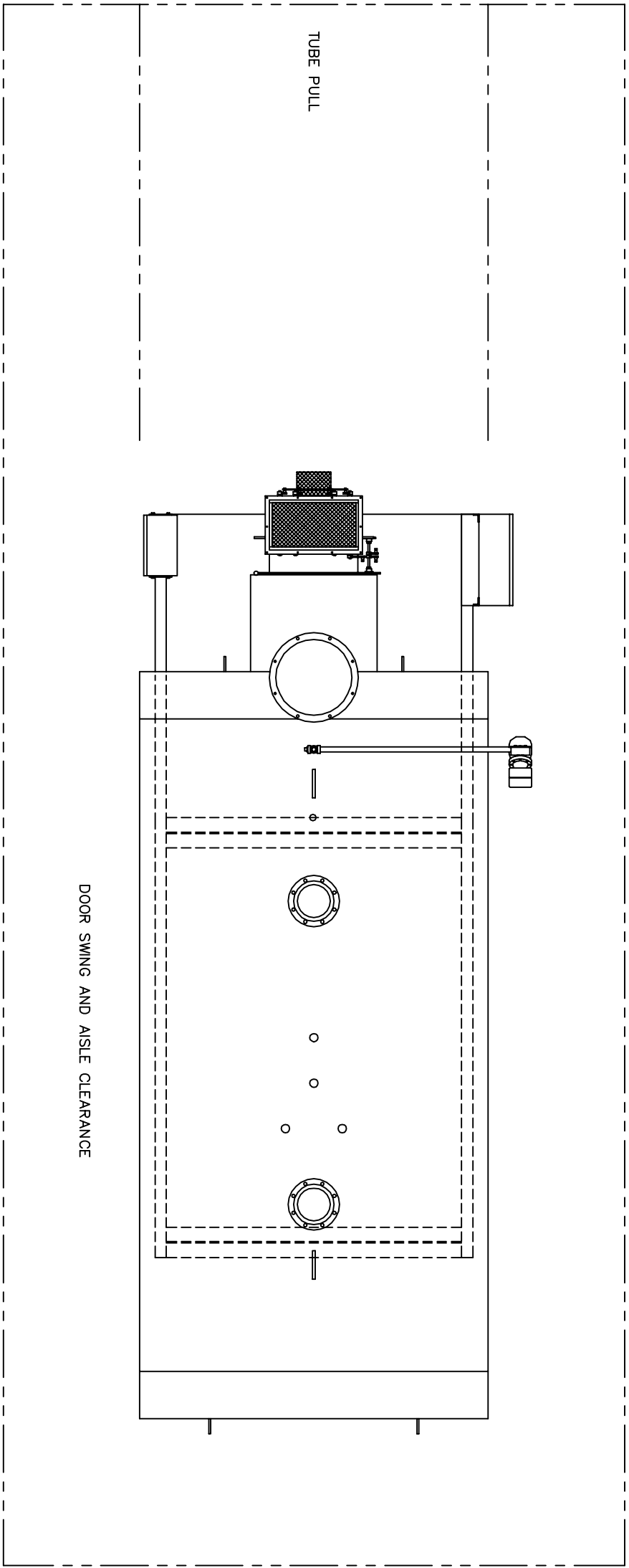
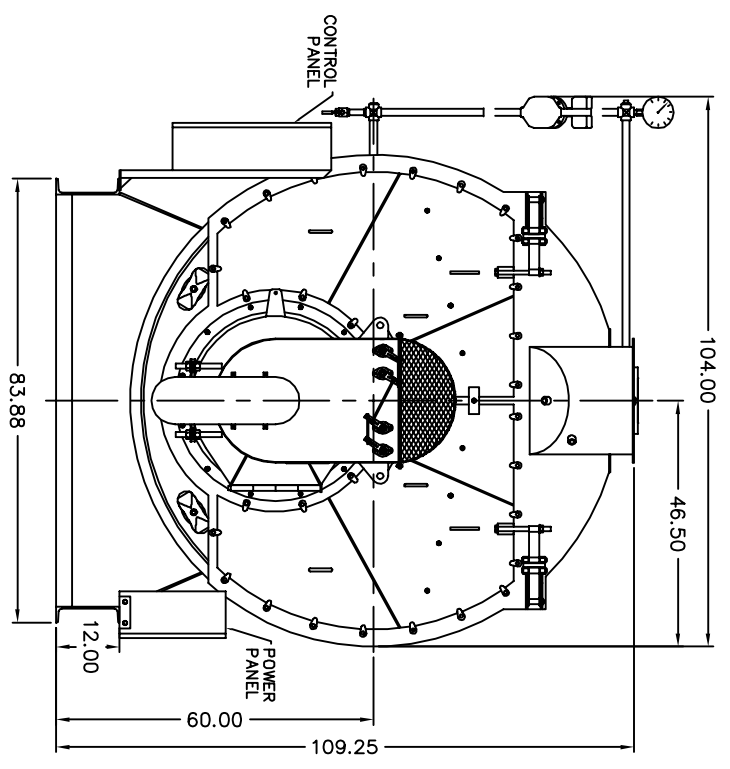
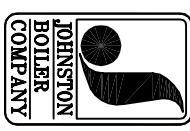


- NOTES:
1. MINIMUM AISLE CLEARANCE 36" FROM BOILER SIDES AND REAR. (THIS REQUIREMENT MAY VARY WITH LOCATION. CHECK STATE AND LOCAL CODES IN THE AREA OF INSTALLATION.)
 2. OPTIONS AND ADDITIONAL EQUIPMENT ORDERED MAY AFFECT OVERALL DIMENSIONS. DRAWINGS ARE FOR STANDARD BOILER PACKAGE.



REFERENCE DRAWINGS:
 BLWR HOUSING: #235A0123
 PLENUM: #212B0069
 PV: #101B0926
 PV BASE: #201B0234
 FR FLUE BOX: #205B0132
 RR FLUE BOX: #206B0141



THIS DRAWING IS THE PROPERTY OF THE JOHNSTON BOILER COMPANY. THE DISCLOSURES CONTAINED ON THIS DRAWING ARE MADE WITH THE UNDERSTANDING THAT THEY ARE CONFIDENTIAL AND WILL NOT BE USED IN ANY WAY DETRIMENTAL TO THIS COMPANY'S INTEREST.

SCALE: CAD/FULL
 DATE: 2-23-07
 DRAWN: MRS
 CHECKED: APPROVED

JOHNSTON BOILER COMPANY
 FERRYSBURG, MICHIGAN 49409
 BOILER TEMPLATE - 509
 PFTA350-4-30#W
 DWG. NO. 300B0456-01