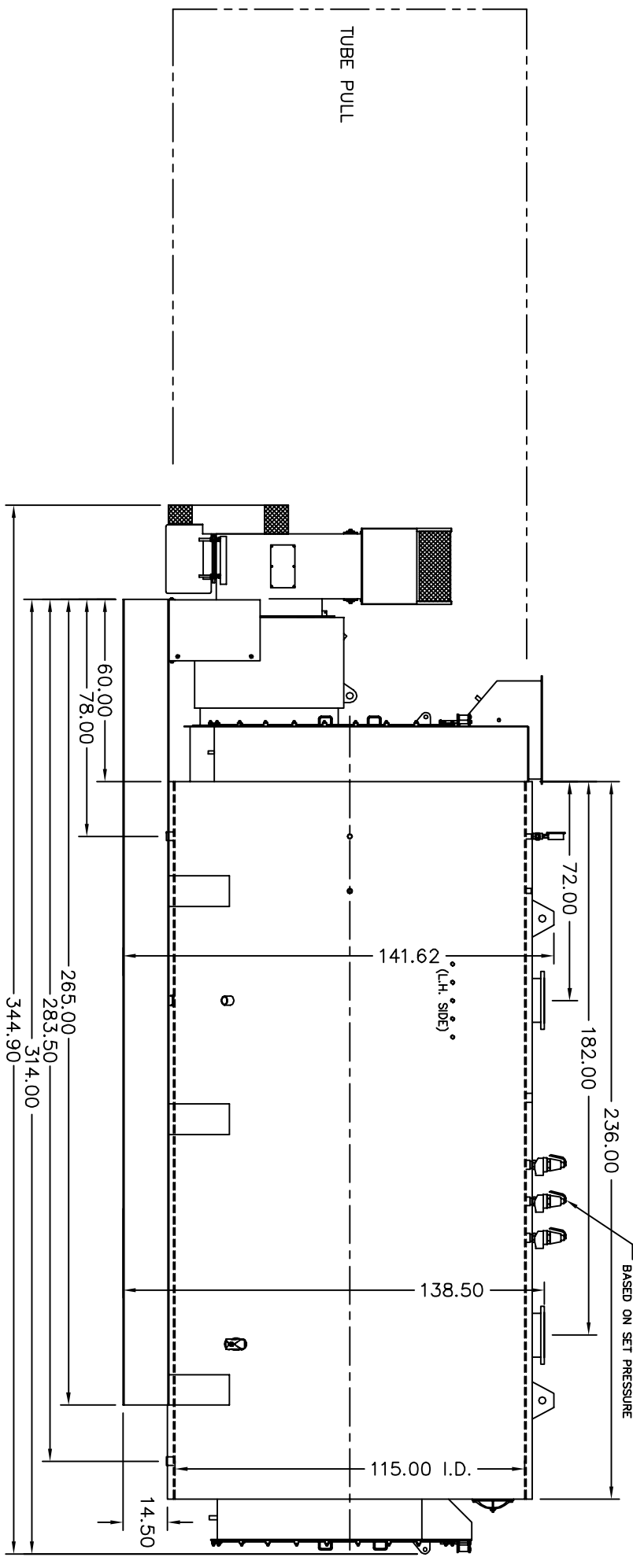
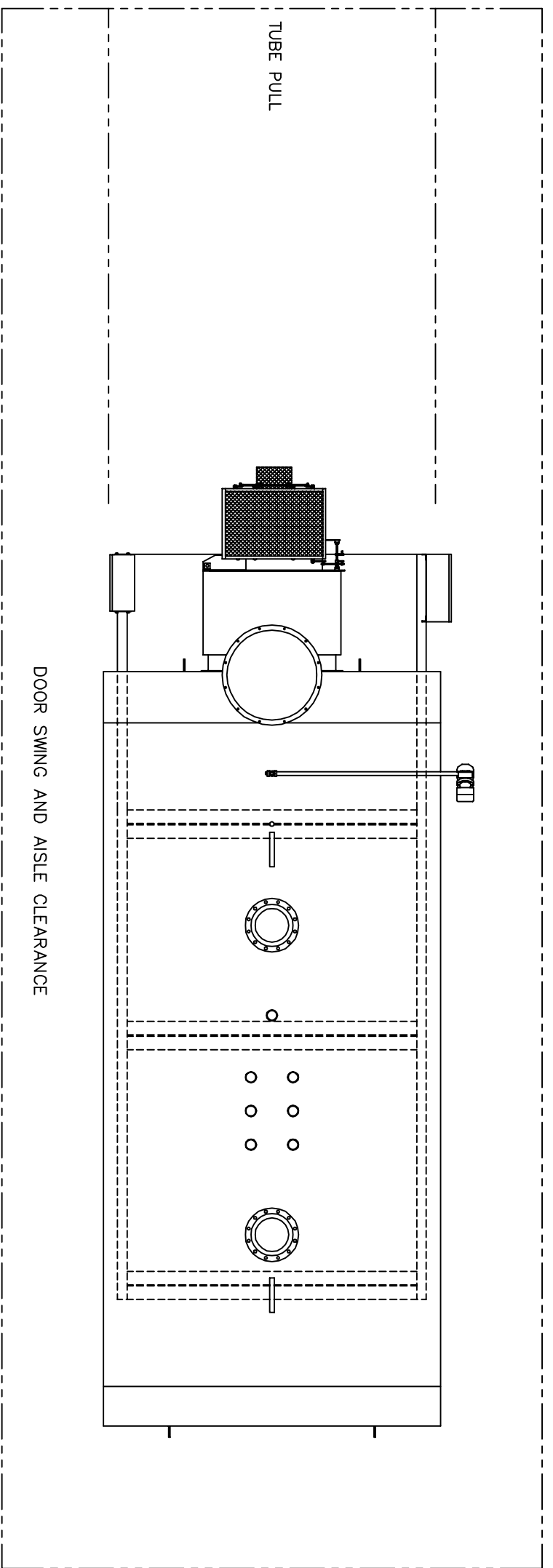
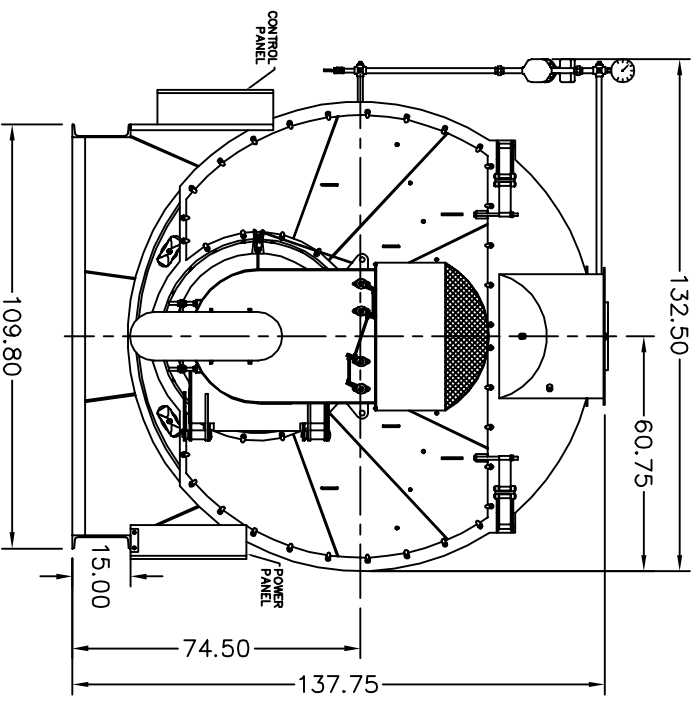
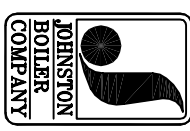


- NOTES:
1. MINIMUM AISLE CLEARANCE 36" FROM BOILER SIDES AND REAR. (THIS REQUIREMENT MAY VARY WITH LOCATION. CHECK STATE AND LOCAL CODES IN THE AREA OF INSTALLATION.)
  2. OPTIONS AND ADDITIONAL EQUIPMENT ORDERED MAY AFFECT OVERALL DIMENSIONS. DRAWINGS ARE FOR STANDARD BOILER PACKAGE.



REFERENCE DRAWINGS:  
 BLWR HOUSING: #235A0130  
 PLENUM: #212B0167  
 PV: #101B0946  
 PV BASE: #201B0225  
 FR FLUE BOX: #205B0154  
 RR FLUE BOX: #205B0150



THIS DRAWING IS THE PROPERTY OF THE JOHNSTON BOILER COMPANY. THE DISCLOSURES CONTAINED ON THIS DRAWING ARE MADE WITH THE UNDERSTANDING THAT THEY ARE CONFIDENTIAL AND WILL NOT BE USED IN ANY WAY DETRIMENTAL TO THIS COMPANY'S INTEREST.

SCALE	CAD/FULL	DATE	2-26-07
DRAWN	DRS	CHECKED	APPROVED
JOHNSTON BOILER COMPANY		FERRYSBURG, MICHIGAN 49409	
BOILER TEMPLATE - 509		PFTA900-4-30#W	
DWG. NO. 300B0462-01		REV	