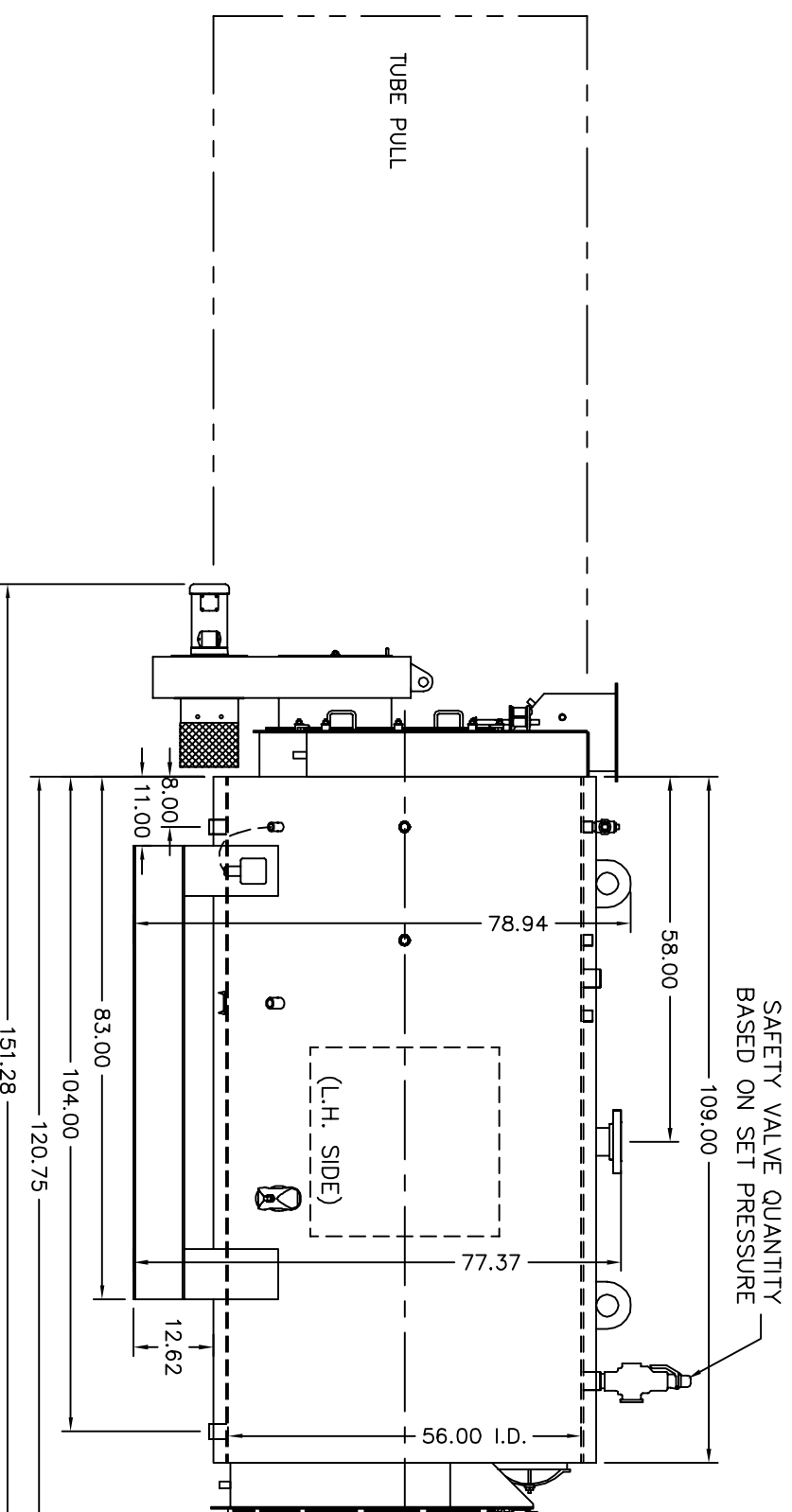
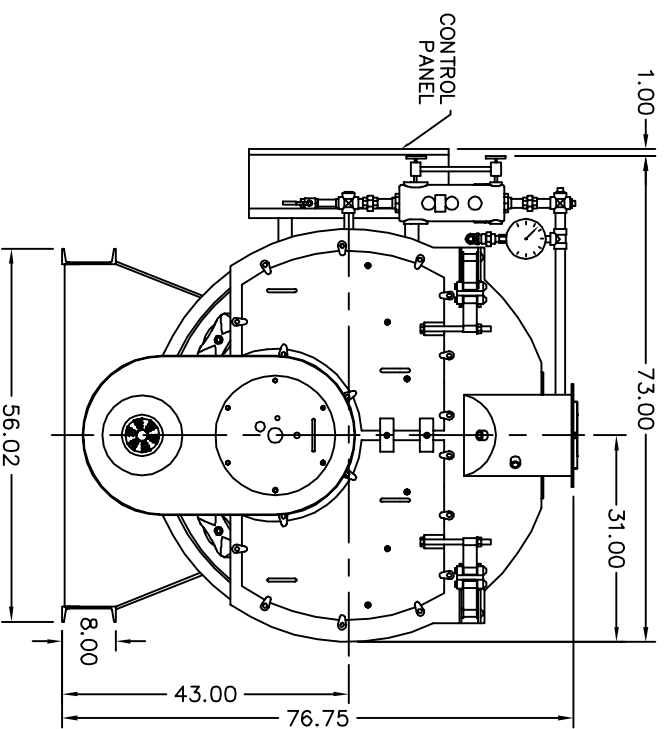
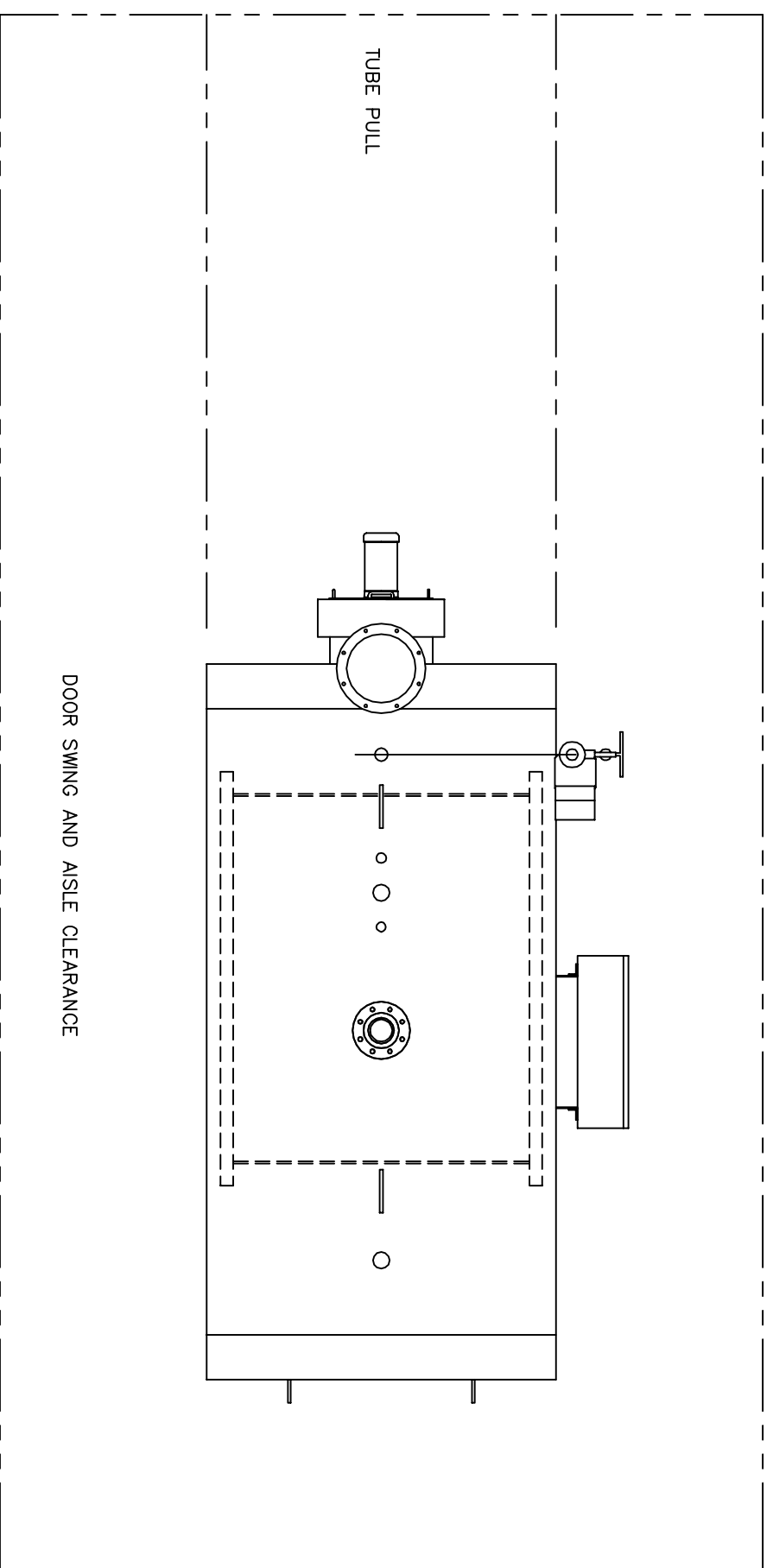


NOTES:

1. MINIMUM AISLE CLEARANCE 36" FROM BOILER SIDES AND REAR. (THIS REQUIREMENT MAY VARY WITH LOCATION. CHECK STATE AND LOCAL CODES IN THE AREA OF INSTALLATION.)
2. OPTIONS AND ADDITIONAL EQUIPMENT ORDERED MAY AFFECT OVERALL DIMENSIONS. DRAWINGS ARE FOR STANDARD BOILER PACKAGE.



DWG NO. 300B0369

REVISIONS

A1-29-07 JRS

UPDATED BURNER PROFILE, ADDED ALL CONNECTIONS TO TOP VIEW.

REFERENCE DRAWINGS
 PLENUM BOX: #212B0204
 PV BASE: #101B0957
 FR FUE BOX: #201B0269
 RR FUE BOX: #205B0168
 #206B0161



THIS DRAWING IS THE PROPERTY OF THE JOHNSTON BOILER COMPANY. THE DISCLOSURES CONTAINED ON THIS DRAWING ARE MADE WITH THE UNDERSTANDING THAT THEY ARE CONFIDENTIAL AND WILL NOT BE USED IN ANY WAY DETRIMENTAL TO THIS COMPANY'S INTEREST.

SCALE: CAD/FULL
 DATE: 11-7-00
 DRAWN: [blank]
 CHECKED: [blank]
 APPROVED: [blank]

JOHNSTON BOILER COMPANY
 FERRYSBURG, MICHIGAN 49409
 BOILER TEMPLATE - 509
 PFTJ 50 THRU 80-4-150#S
 DWG. NO. 300B0369-01

2 of A