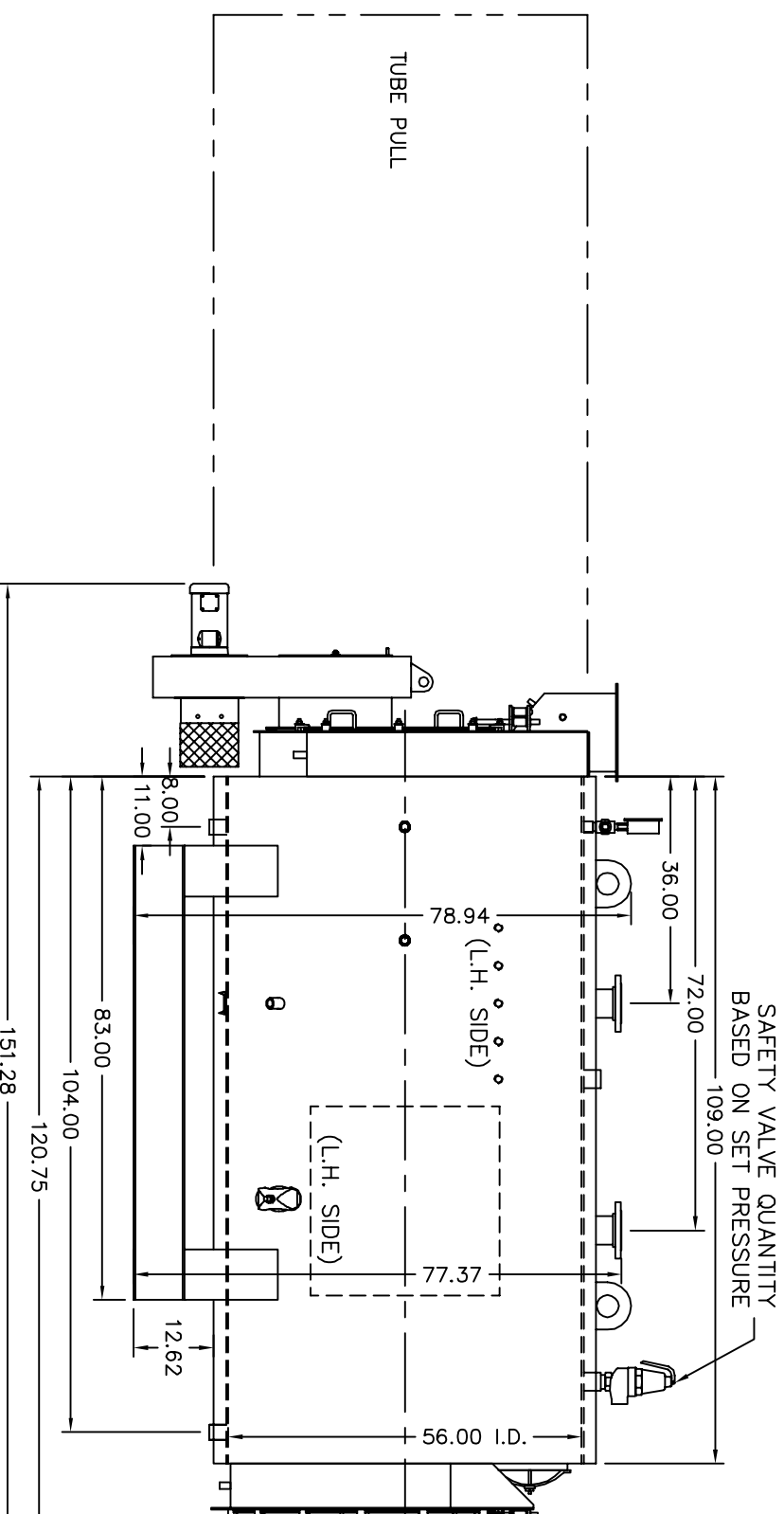
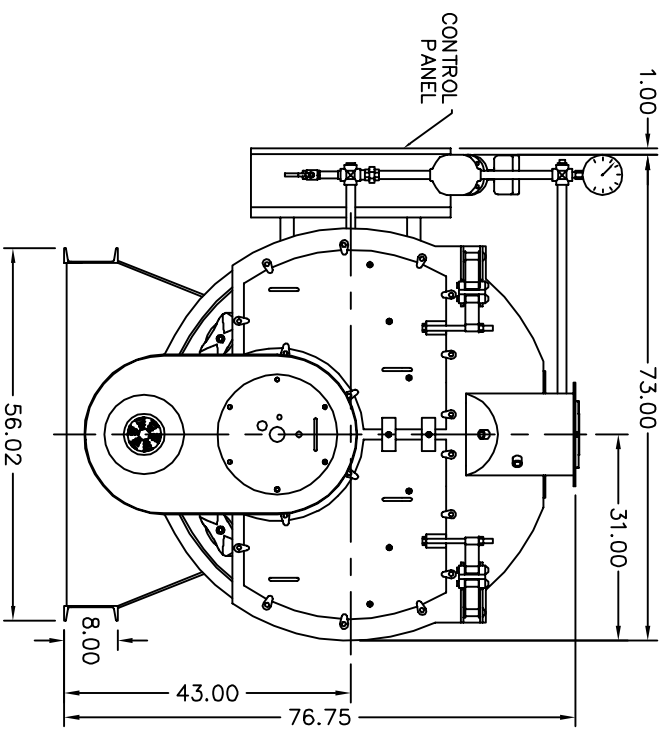
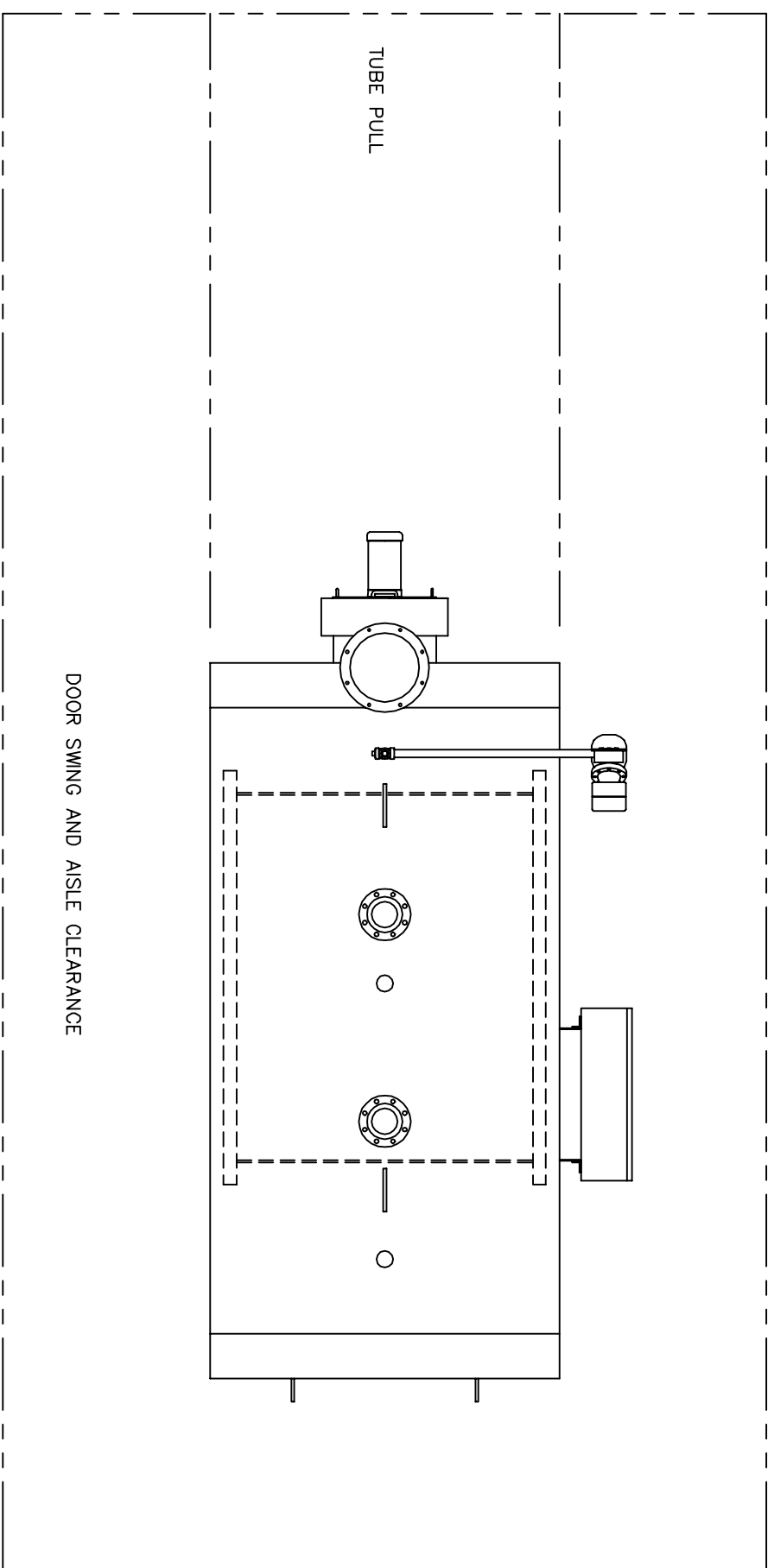


NOTES:

1. MINIMUM AISLE CLEARANCE 36" FROM BOILER SIDES AND REAR. (THIS REQUIREMENT MAY VARY WITH LOCATION. CHECK STATE AND LOCAL CODES IN THE AREA OF INSTALLATION.)
2. OPTIONS AND ADDITIONAL EQUIPMENT ORDERED MAY AFFECT OVERALL DIMENSIONS. DRAWINGS ARE FOR STANDARD BOILER PACKAGE.

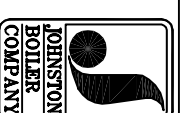


DWG NO. 300B0449

REVISIONS

REFERENCE DRAWINGS

PLENUM BOX: #212B0204
 PV: #101B0994
 PV BASE: #201B0277
 FR FLUE BOX: #205B0168
 RR FLUE BOX: #206B0161



THIS DRAWING IS THE PROPERTY OF THE JOHNSTON BOILER COMPANY. THE DISCLOSURES CONTAINED ON THIS DRAWING ARE MADE WITH THE UNDERSTANDING THAT THEY ARE CONFIDENTIAL AND WILL NOT BE USED IN ANY WAY DETRIMENTAL TO THIS COMPANY'S INTEREST.

SCALE: CAD/FULL
 DATE: 2-21-07
 DRAWN: JRS
 CHECKED: PFTJ
 APPROVED: DWG. NO. 300B0449-01

JOHNSTON BOILER COMPANY
 FERRYSBURG, MICHIGAN 49409

BOILER TEMPLATE - 509
 PFTJ 50 THRU 80-4-30#W

SO# REV