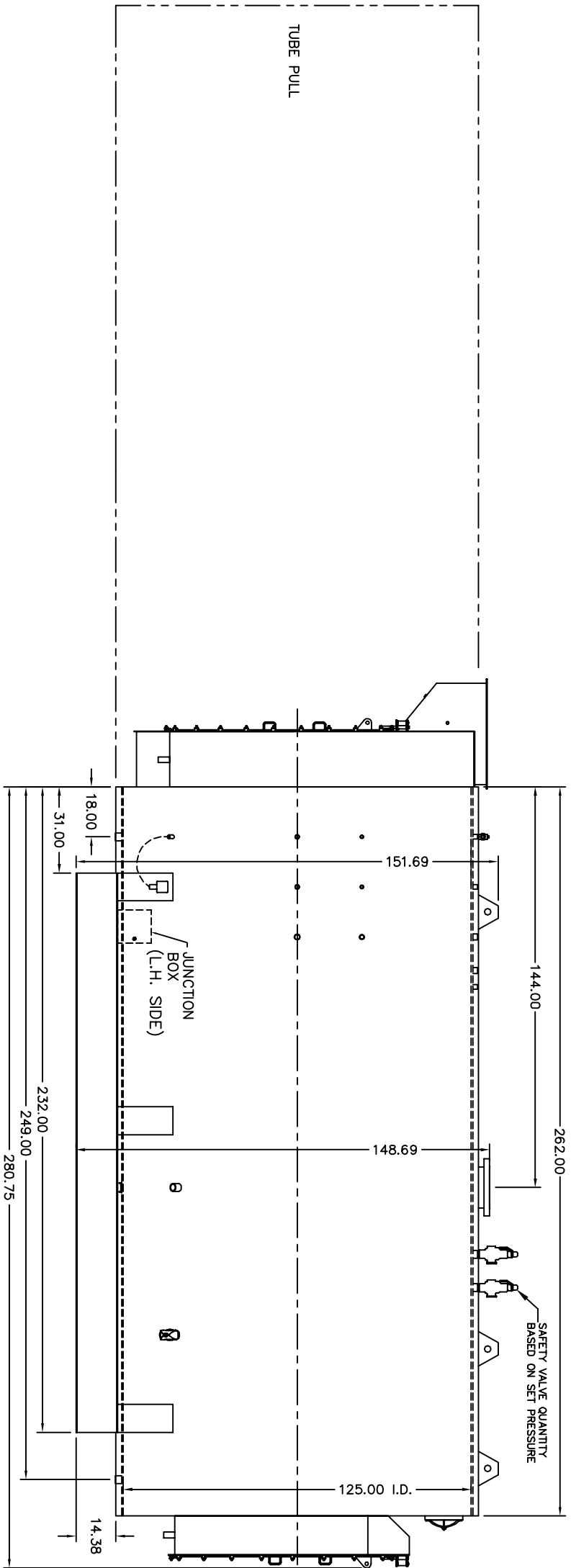
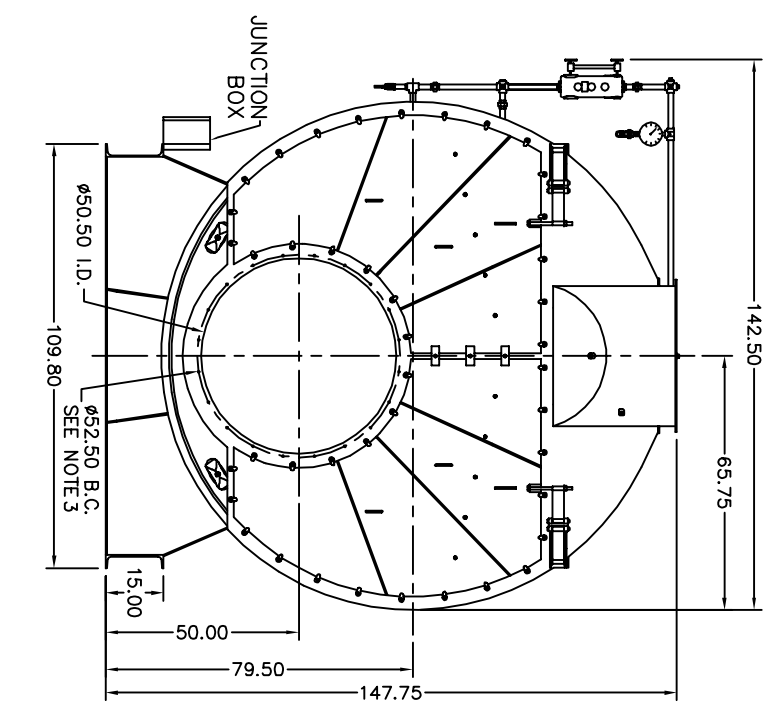
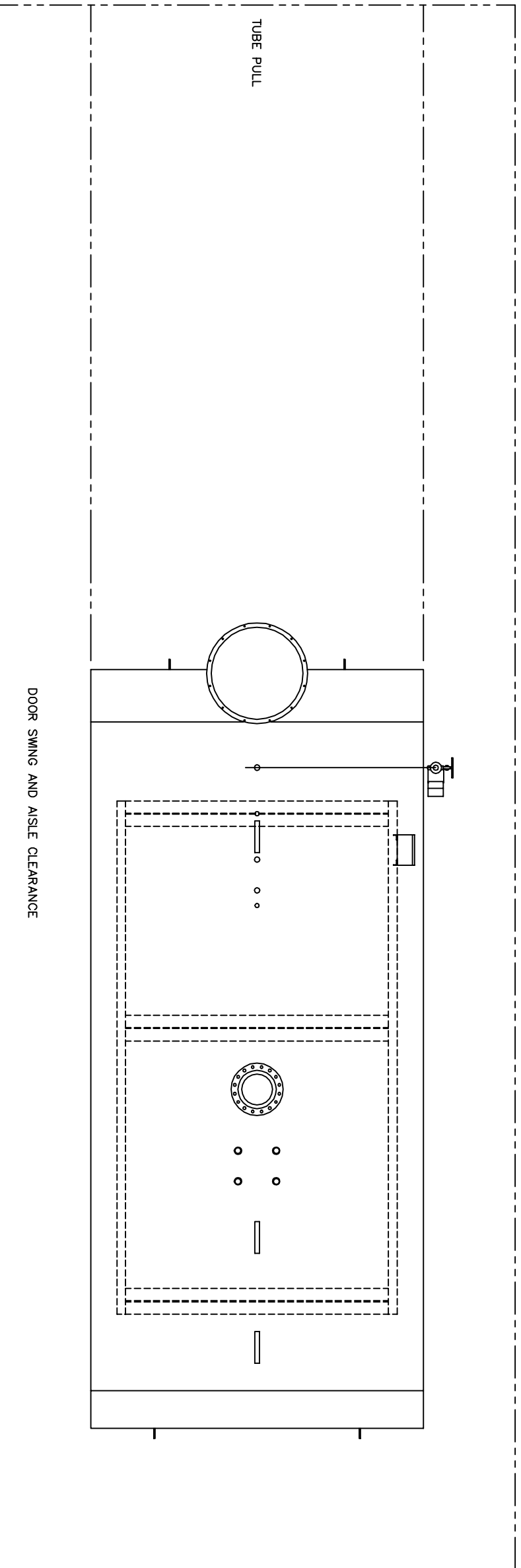


NOTES:

- 1. MINIMUM AISLE CLEARANCE 36" FROM BOILER SIDES AND REAR. (THIS REQUIREMENT MAY VARY WITH LOCATION. CHECK STATE AND LOCAL CODES IN THE AREA OF INSTALLATION.)
- 2. OPTIONS AND ADDITIONAL EQUIPMENT ORDERED MAY AFFECT OVERALL DIMENSIONS. DRAWINGS ARE FOR STANDARD BOILER PACKAGE.
- 3. (20) 5/8 UNC X 1.500 LONG STUDS EQUALLY SPACED STRADDLE CENTERLINES. STUDS FOR BURNER REFRACTORY (DRY OVEN) MOUNTING. REFRACTORY MUST EXTEND 24.00" MINIMUM PAST MOUNTING FLANGE.



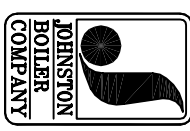
DWG NO. 300B0366

REVISIONS

NO.	DESCRIPTION

REFERENCE DRAWINGS

- PLENUM: #21280175
- PV BASE: #101B0904
- FR FLUE BOX: #201B0289
- RR FLUE BOX: #205B0162
- #206B0159



THIS DRAWING IS THE PROPERTY OF THE JOHNSTON BOILER COMPANY. THE DISCLOSURES CONTAINED ON THIS DRAWING ARE MADE WITH THE UNDERSTANDING THAT THEY ARE CONFIDENTIAL AND WILL NOT BE USED IN ANY WAY DETRIMENTAL TO THIS COMPANY'S INTEREST.

SCALE: CAD/FULL
DATE: 2-5-07
DRAWN: JRS
CHECKED: []
APPROVED: []

JOHNSTON BOILER COMPANY
FERRYSBURG, MICHIGAN 49409
BOILER TEMPLATE - 509
PFTX1200-4-150#S

DWG. NO. 300B0366-03