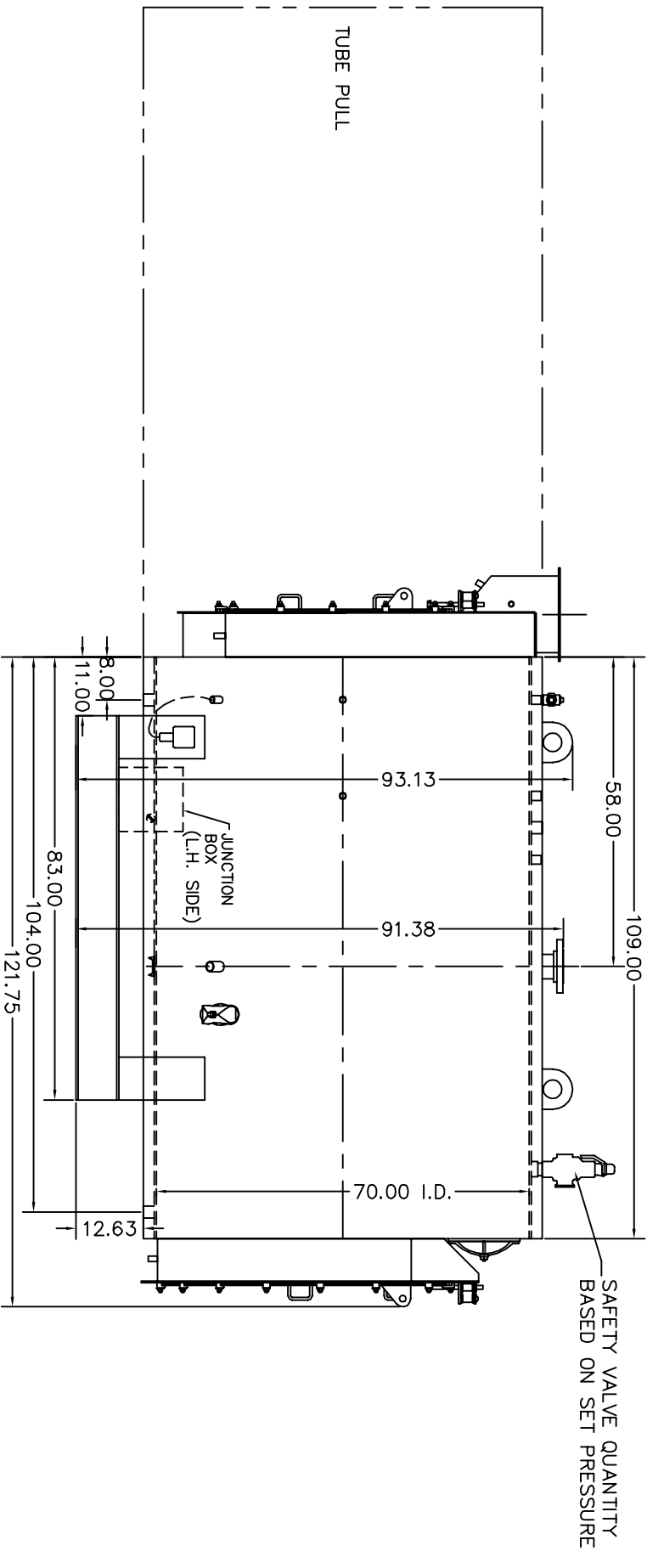
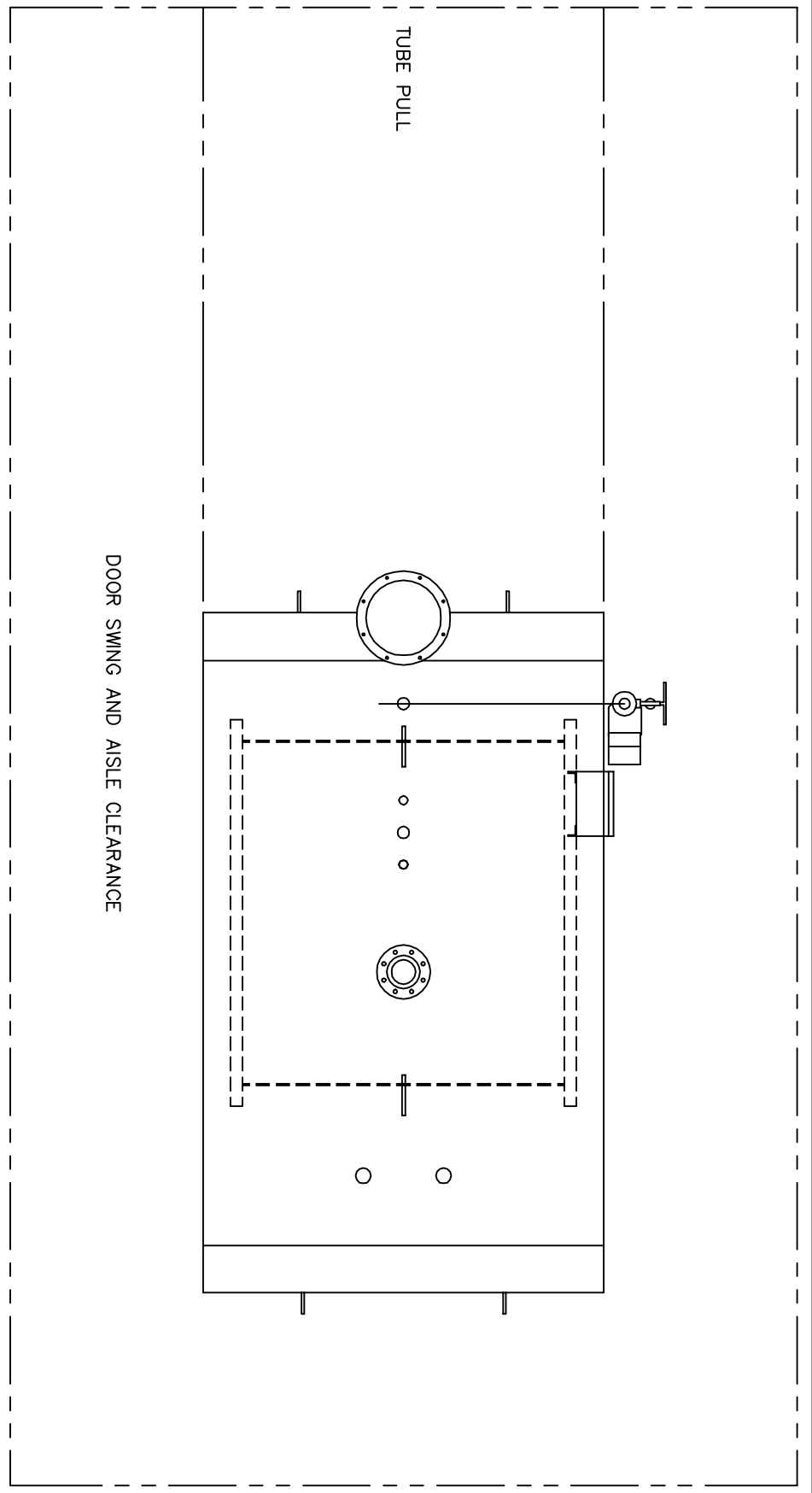
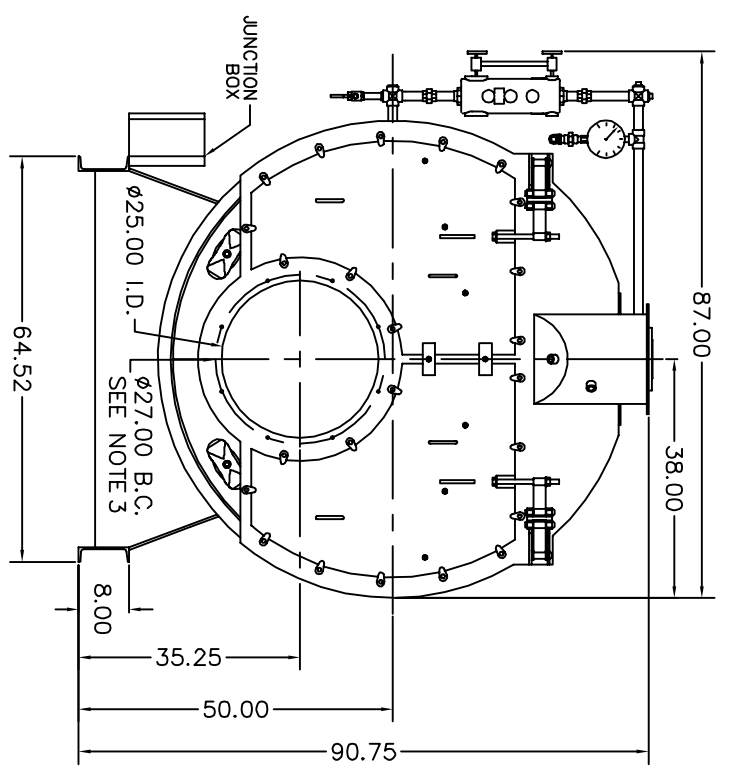
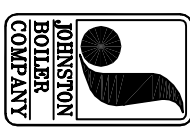


- NOTES:
1. MINIMUM AISLE CLEARANCE 36" FROM BOILER SIDES AND REAR. (THIS REQUIREMENT MAY VARY WITH LOCATION. CHECK STATE AND LOCAL CODES IN THE AREA OF INSTALLATION.)
 2. OPTIONS AND ADDITIONAL EQUIPMENT ORDERED MAY AFFECT OVERALL DIMENSIONS. DRAWINGS ARE FOR STANDARD BOILER PACKAGE.
 3. (8) 1/2 UNC X 1.375 LONG STUDS EQUALLY SPACED STRADDLE CENTERLINES. STUDS FOR BURNER REFRACTORY (DRY OVEN) MOUNTING. REFRACTORY MUST EXTEND 12.50" MINIMUM PAST MOUNTING FLANGE.



REFERENCE DRAWINGS:
 PV: #101B0901
 PV BASE: #201B0272
 FR FLUE BOX: #205B0159
 RR FLUE BOX: #206B0156



THIS DRAWING IS THE PROPERTY OF THE JOHNSTON BOILER COMPANY. THE DISCLOSURES CONTAINED ON THIS DRAWING ARE MADE WITH THE UNDERSTANDING THAT THEY ARE CONFIDENTIAL AND WILL NOT BE USED IN ANY WAY DETRIMENTAL TO THIS COMPANY'S INTEREST.

SCALE: CAD/FULL
 DATE: 1-31-07
 DRAWN: MRS
 CHECKED: APPROVED

JOHNSTON BOILER COMPANY
 FERRYSBURG, MICHIGAN 49409
 BOILER TEMPLATE - 509N
 PFTX-125-4 150#S
 DWG. NO. 300B0373-03