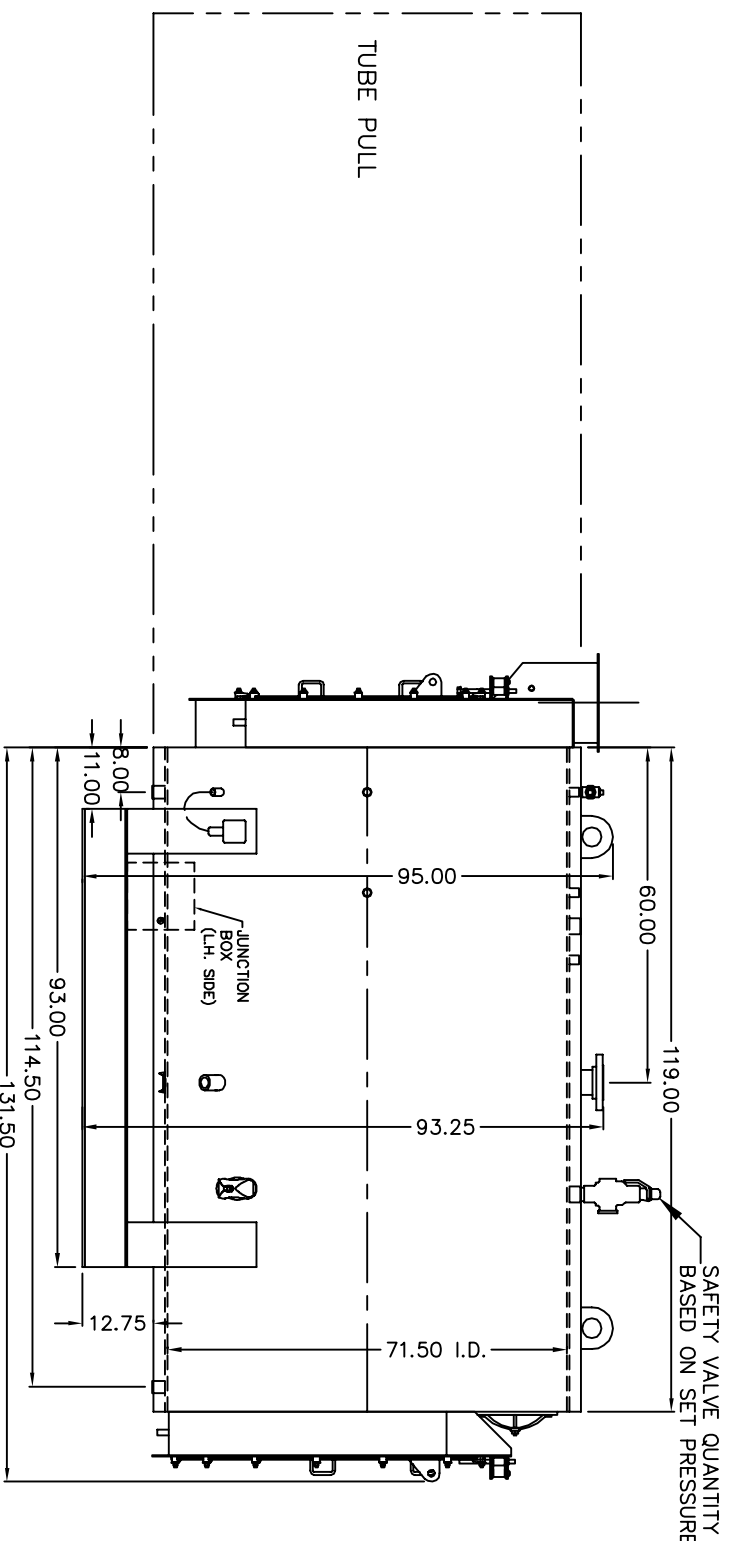
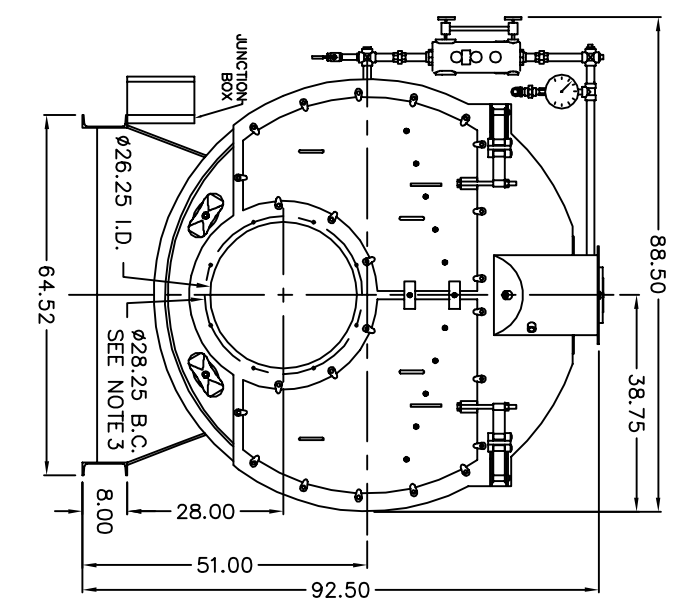
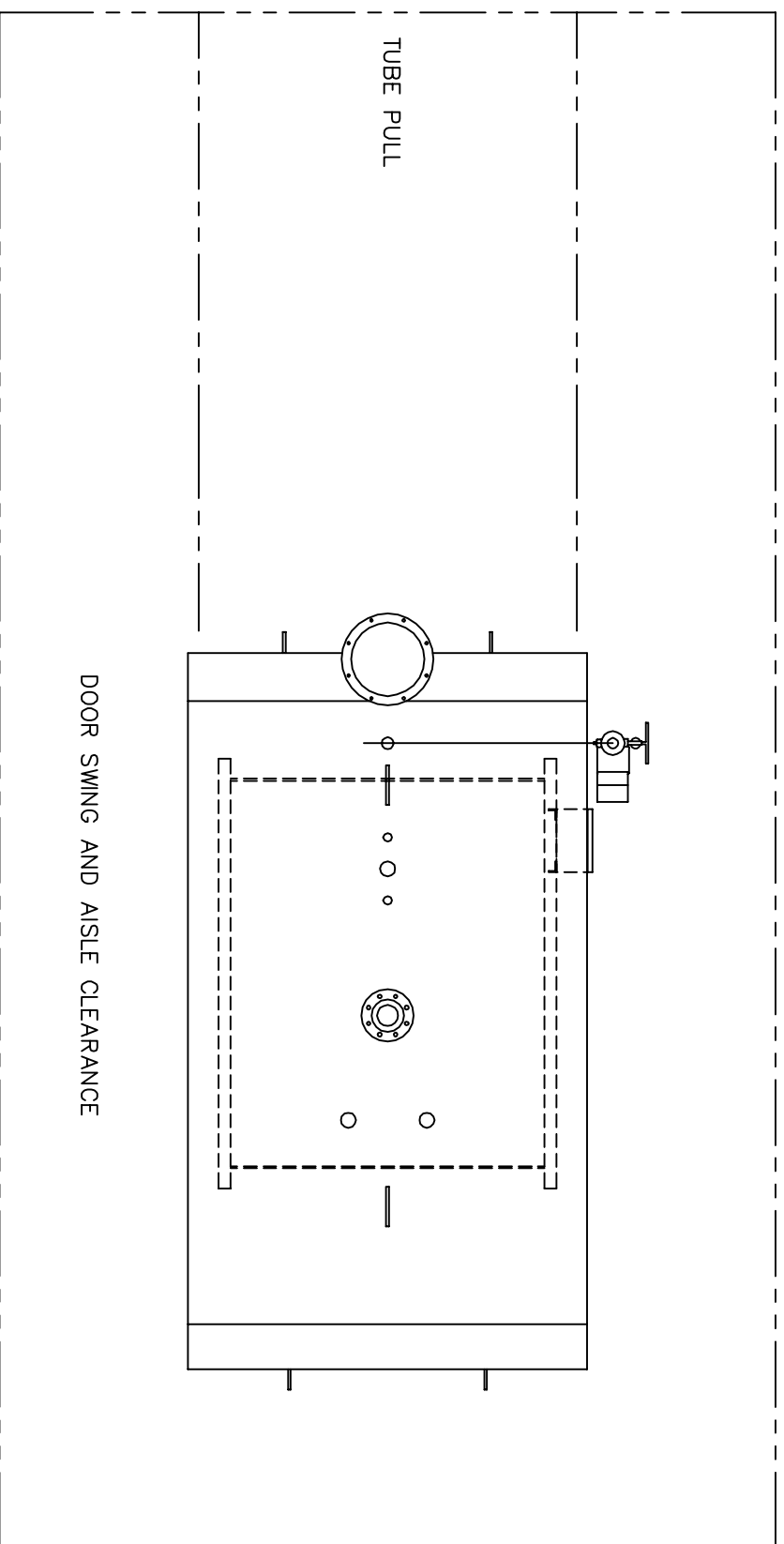


NOTES:

1. MINIMUM AISLE CLEARANCE 36" FROM BOILER SIDES AND REAR. (THIS REQUIREMENT MAY VARY WITH LOCATION. CHECK STATE AND LOCAL CODES IN THE AREA OF INSTALLATION.)
2. OPTIONS AND ADDITIONAL EQUIPMENT ORDERED MAY AFFECT OVERALL DIMENSIONS. DRAWINGS ARE FOR STANDARD BOILER PACKAGE.
3. (8) 1/2 UNC X 1.375 LONG STUDS EQUALLY SPACED STRADDLE CENTERLINES. STUDS FOR BURNER REFRACTORY (DRY OVEN) MOUNTING. REFRACTORY MUST EXTEND 12.75" MINIMUM PAST MOUNTING FLANGE.



DWG NO. 300B0374

REVISIONS

REFERENCE DRAWINGS:

PV BASE: #101B0888  
 FR FLUE BOX: #201B0271  
 RR FLUE BOX: #205B0135  
 #206B0153



THIS DRAWING IS THE PROPERTY OF THE JOHNSTON BOILER COMPANY. THE DISCLOSURES CONTAINED ON THIS DRAWING ARE MADE WITH THE UNDERSTANDING THAT THEY ARE CONFIDENTIAL AND WILL NOT BE USED IN ANY WAY DETRIMENTAL TO THIS COMPANY'S INTEREST.

SCALE  
 CAD/FULL  
 DATE  
 2-1-07

**JOHNSTON BOILER COMPANY**  
 FERRYSBURG, MICHIGAN 49409

So#

DRAWN  
 MRS  
 CHECKED  
 PFTX150-4-150#S

BOILER TEMPLATE - 509

APPROVED  
 DWG. NO. 300B0374-03