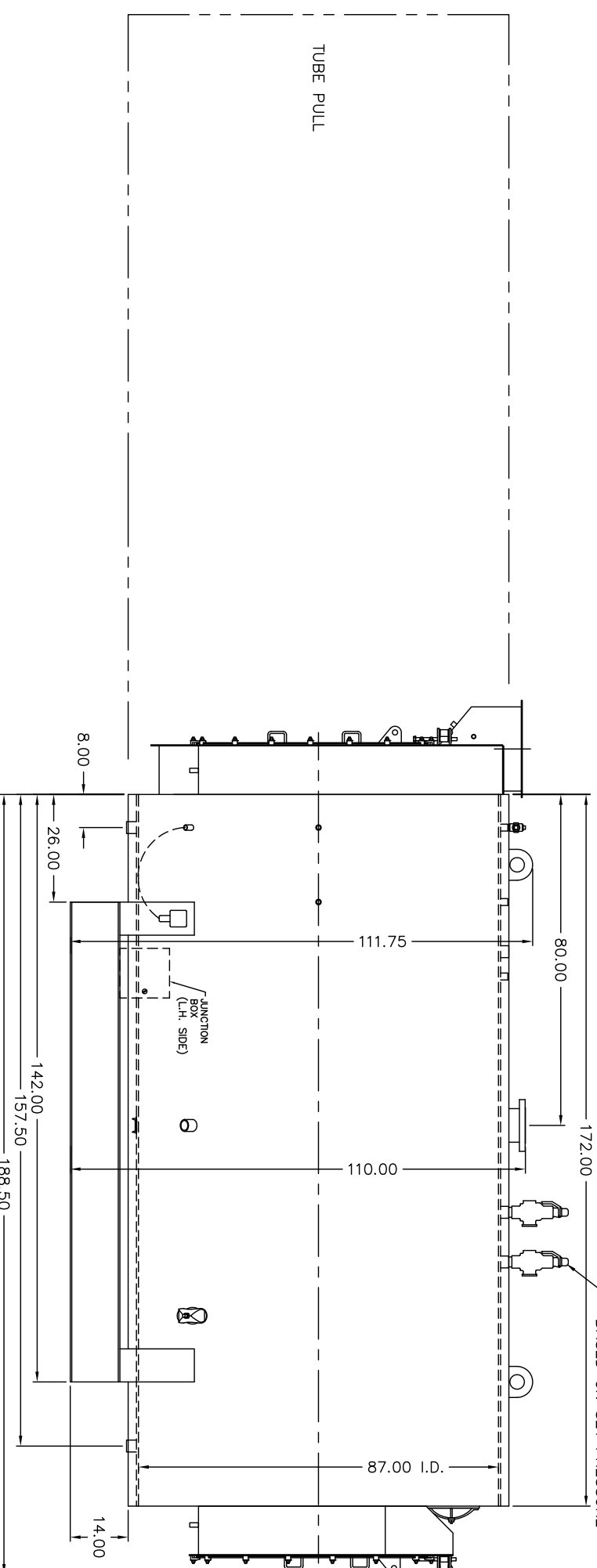
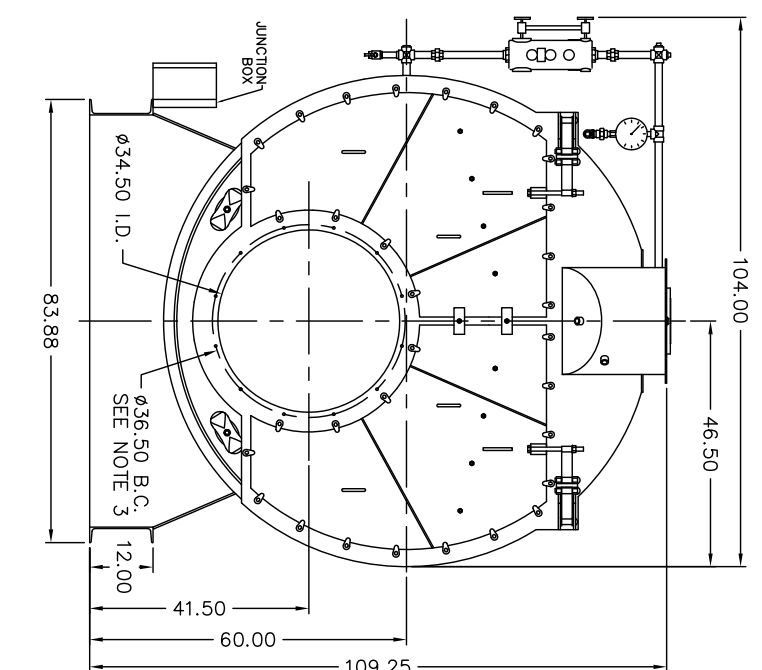
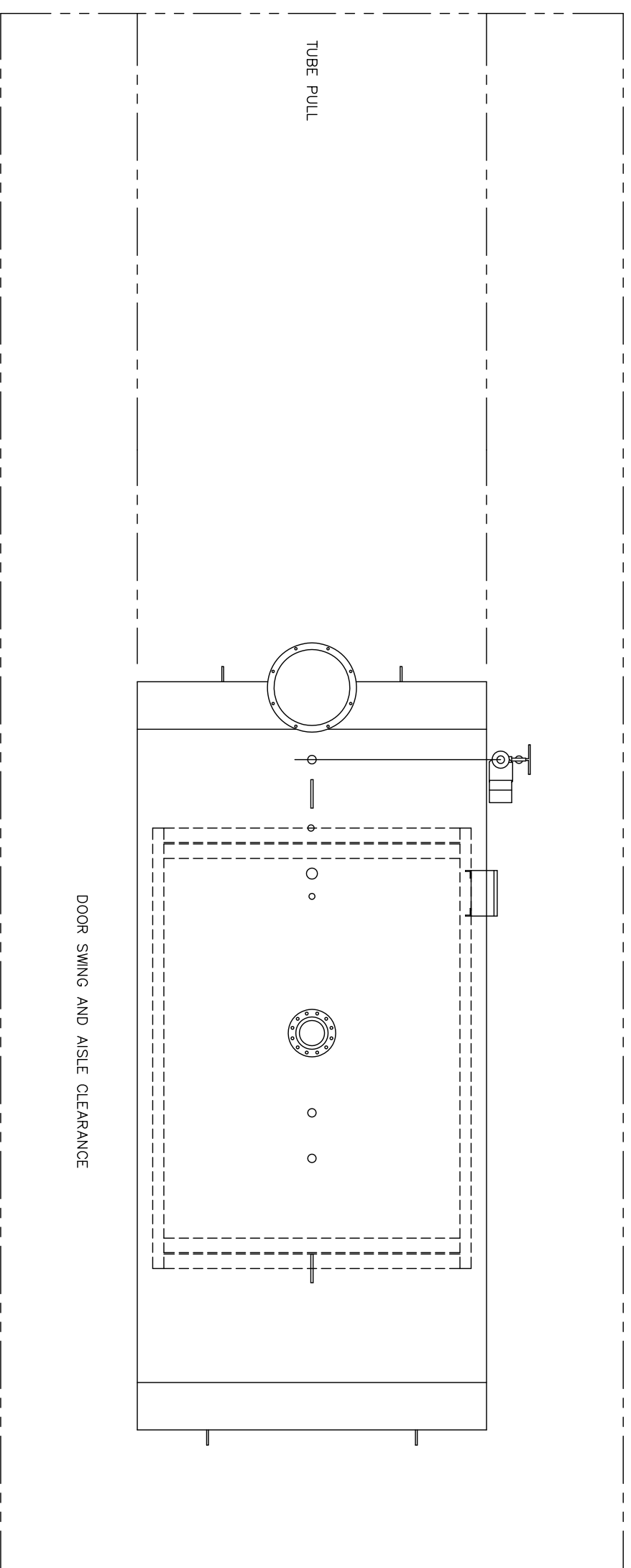


NOTES:

1. MINIMUM AISLE CLEARANCE 36" FROM BOILER SIDES AND REAR. (THIS REQUIREMENT MAY VARY WITH LOCATION. CHECK STATE AND LOCAL CODES IN THE AREA OF INSTALLATION.)
2. OPTIONS AND ADDITIONAL EQUIPMENT ORDERED MAY AFFECT OVERALL DIMENSIONS. DRAWINGS ARE FOR STANDARD BOILER PACKAGE.
3. (12) 1/2 UNC X 1.375 LONG STUDS EQUALLY SPACED STRADDLE CENTERLINES. STUDS FOR BURNER REFRACTORY (DRY OVEN) MOUNTING. REFRACTORY MUST EXTEND 16.00" MINIMUM PAST MOUNTING FLANGE.



DWG NO. 300B0360

REVISIONS

A 1-15-07 JRS

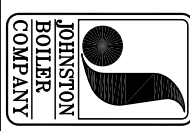
ADDED PANELS, UPDATED BURNER, ADDED ALL CONNECTIONS TO TOP VIEW.

B 3-19-10 CW

REV'D SAFETY VALVE LOCATION.

REFERENCE DRAWINGS

- PLENUM: #212B0069  
 PV: #101B0718  
 PV BASE: #201B0234  
 FR FLUE BOX: #205B0132  
 RR FLUE BOX: #206B0141



THIS DRAWING IS THE PROPERTY OF THE JOHNSTON BOILER COMPANY. THE DISCLOSURES CONTAINED ON THIS DRAWING ARE MADE WITH THE UNDERSTANDING THAT THEY ARE CONFIDENTIAL AND WILL NOT BE USED IN ANY WAY DETRIMENTAL TO THIS COMPANY'S INTEREST.

SCALE: CAD/FULL  
 DATE: 1-15-07  
 DRAWN: JRS  
 CHECKED: JRS  
 APPROVED: [Signature]

JOHNSTON BOILER COMPANY  
 FERRYSBURG, MICHIGAN 49409  
 BOILER TEMPLATE - 509  
 PFTX350-4-150#S

DWG NO. 300B0360-03  
 REV B