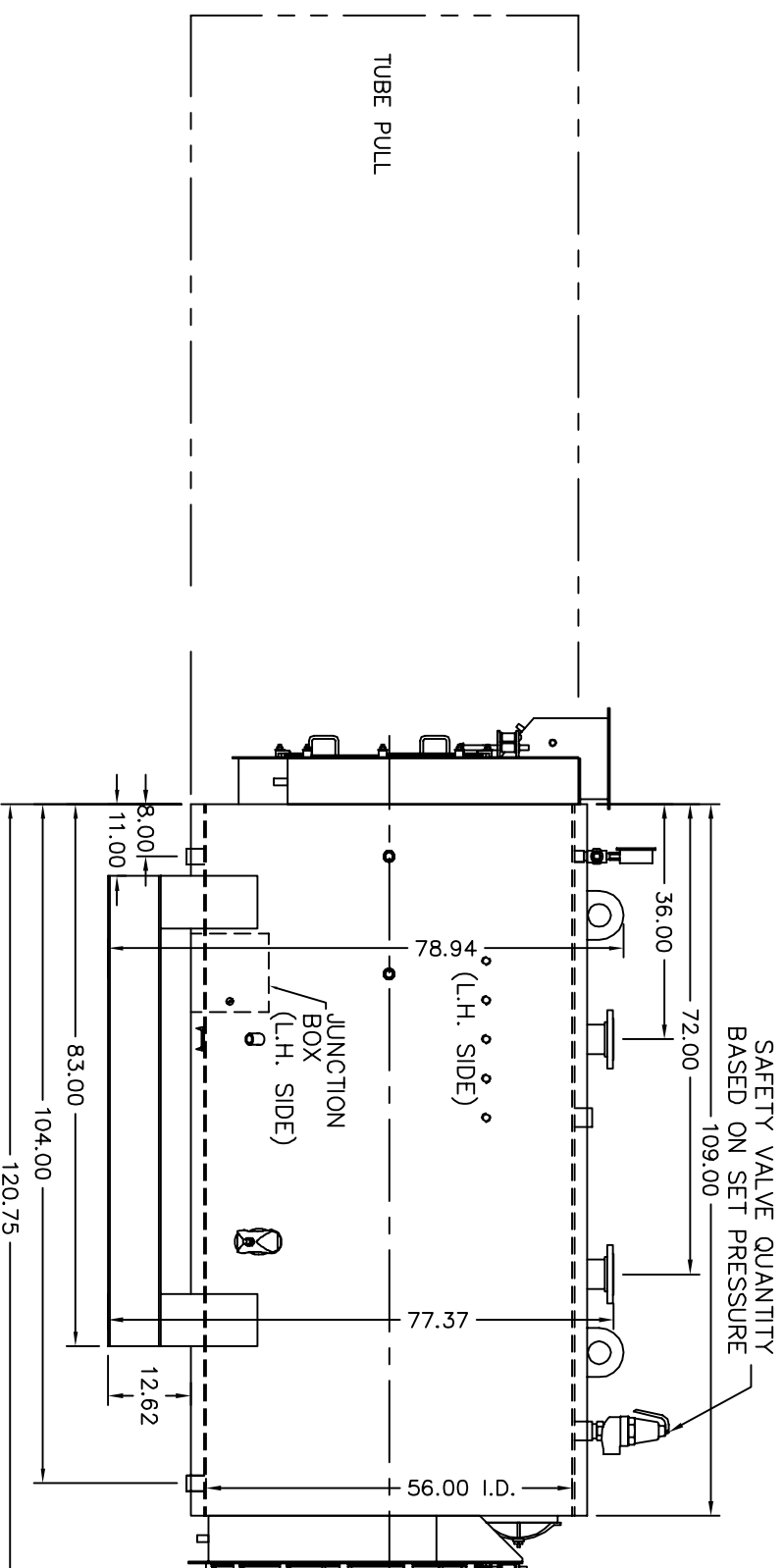
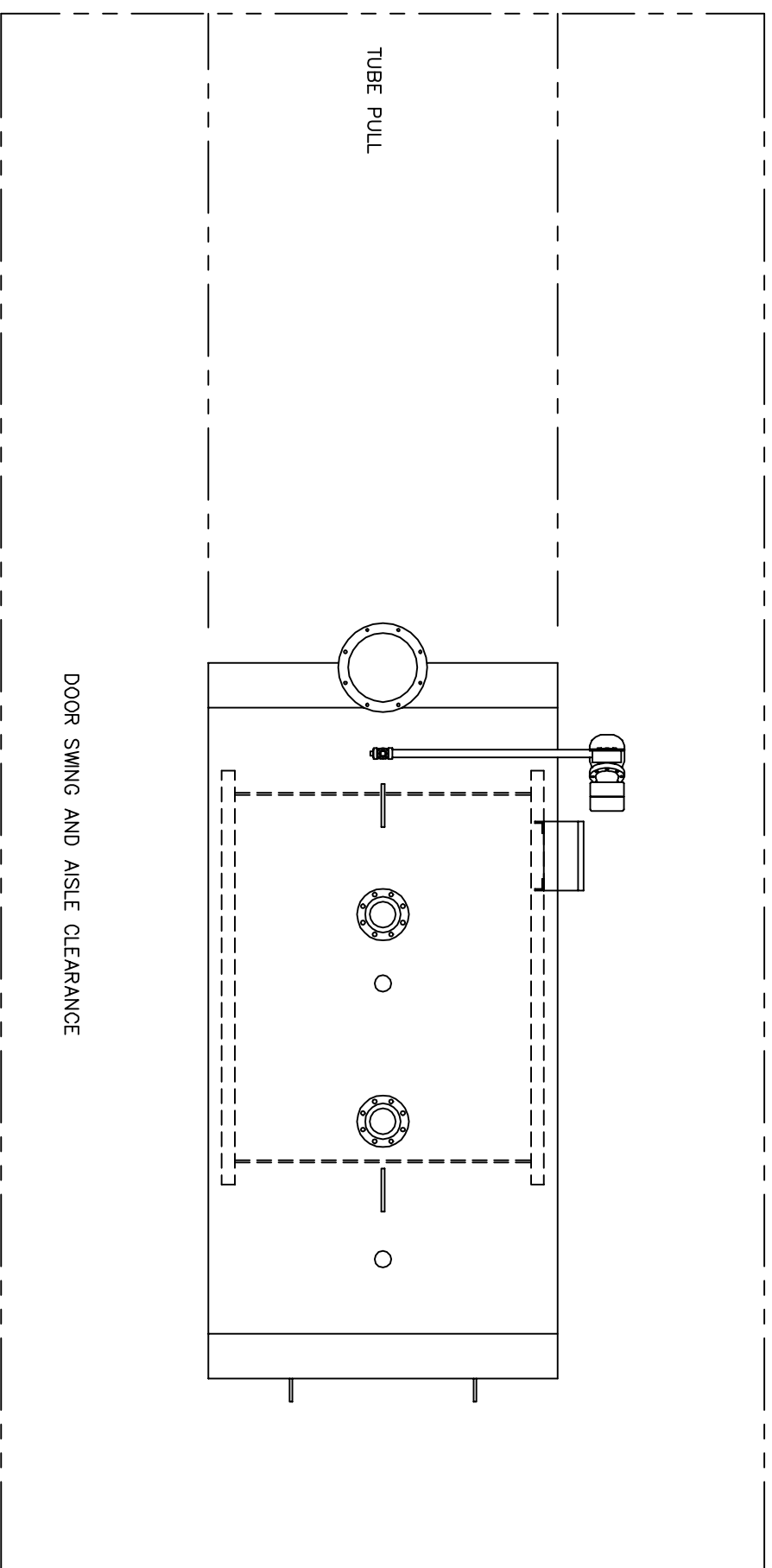
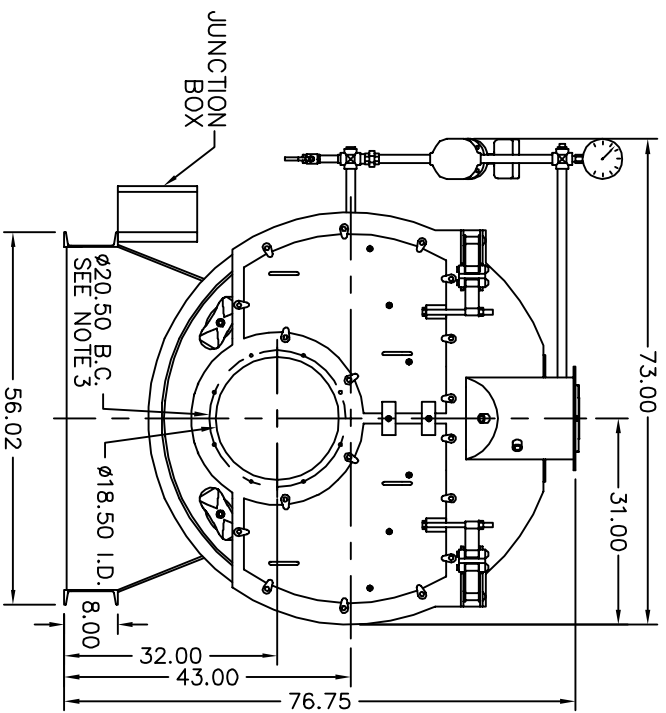


NOTES:

1. MINIMUM AISLE CLEARANCE 36" FROM BOILER SIDES AND REAR. (THIS REQUIREMENT MAY VARY WITH LOCATION. CHECK STATE AND LOCAL CODES IN THE AREA OF INSTALLATION.)
2. OPTIONS AND ADDITIONAL EQUIPMENT ORDERED MAY AFFECT OVERALL DIMENSIONS. DRAWINGS ARE FOR STANDARD BOILER PACKAGE.
3. (8) 1/2 UNC X 1.375 LONG STUDS EQUALLY SPACED STRADDLE CENTERLINES. STUDS FOR BURNER REFRACTORY (DRY OVEN) MOUNTING. REFRACTORY MUST EXTEND 11.25" MINIMUM PAST MOUNTING FLANGE.



DWG NO.	300B0449		
REVISIONS			
SCALE	CAD/FULL	DATE	2-21-07
APPROVED	DRY	CHECKED	URS
DWG. NO.	300B0449-03		
REV			

REFERENCE DRAWINGS

REF DWG: #300B0369

PV: #101B0994
 PV BASE: #201B0277
 FR FLUE BOX: #205B0168
 RR FLUE BOX: #206B0161

JOHNSTON BOILER COMPANY

THIS DRAWING IS THE PROPERTY OF THE JOHNSTON BOILER COMPANY. THE DISCLOSURES CONTAINED ON THIS DRAWING ARE MADE WITH THE UNDERSTANDING THAT THEY ARE CONFIDENTIAL AND WILL NOT BE USED IN ANY WAY DETRIMENTAL TO THIS COMPANY'S INTEREST.

JOHNSTON BOILER COMPANY
 FERRYSBURG, MICHIGAN 49409

BOILER TEMPLATE - 509
 PFTX 50 THRU 80-4-30#W