

DWG NO. 300B0361

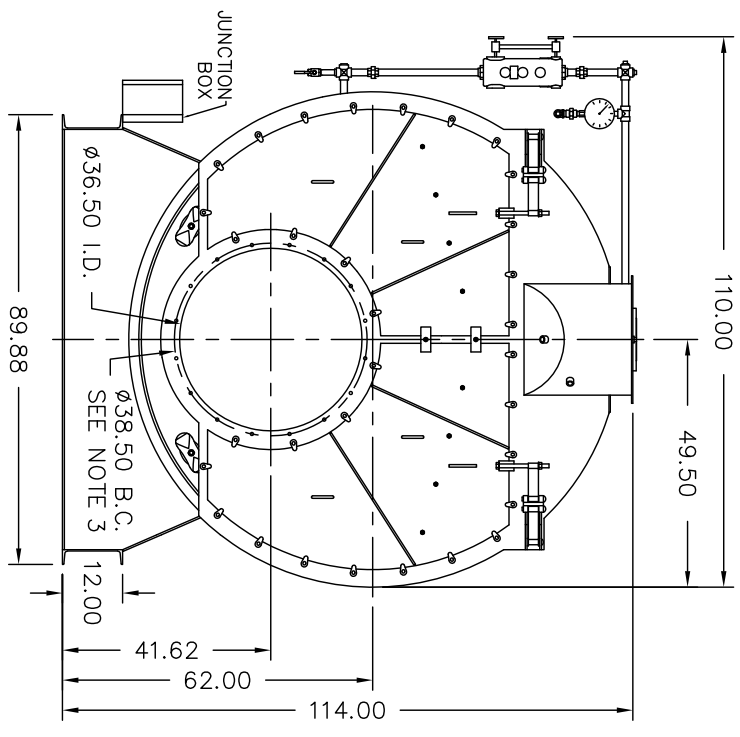
REVISIONS

A 1-15-07 JRS

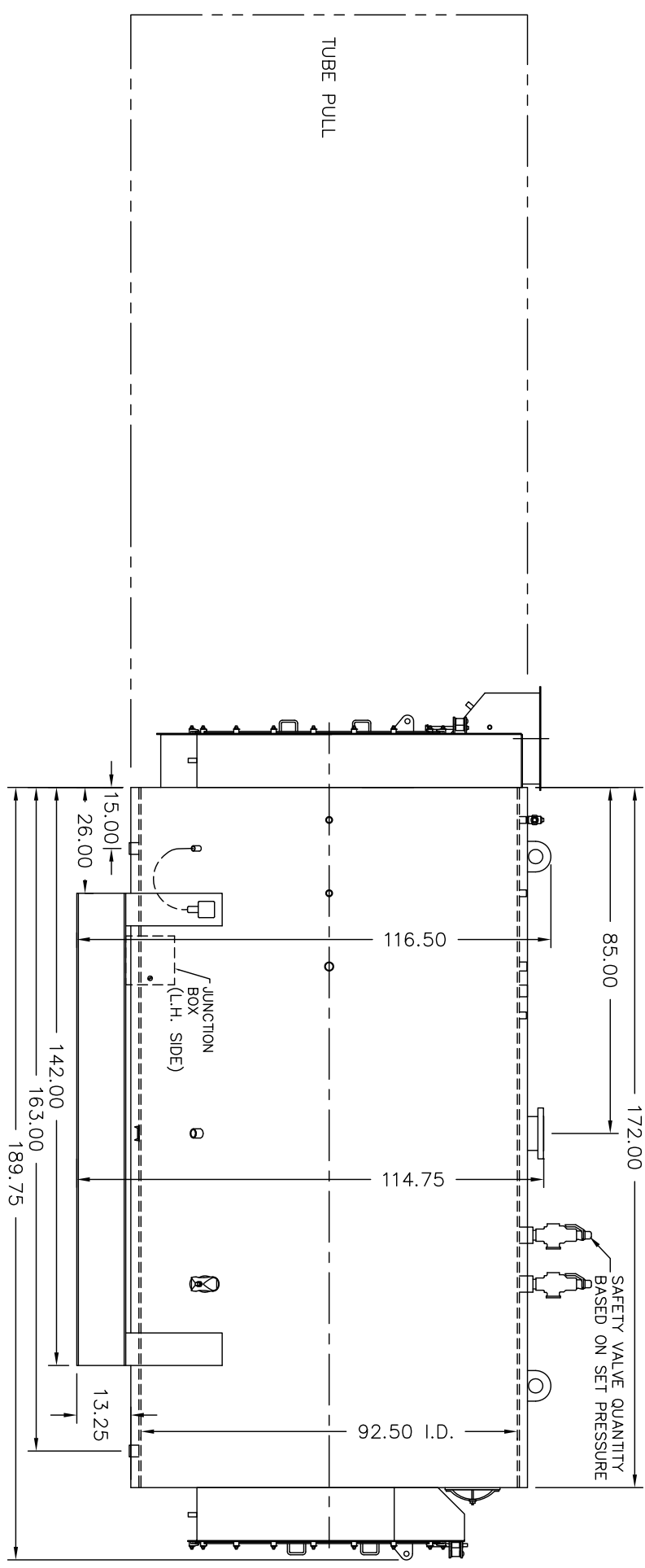
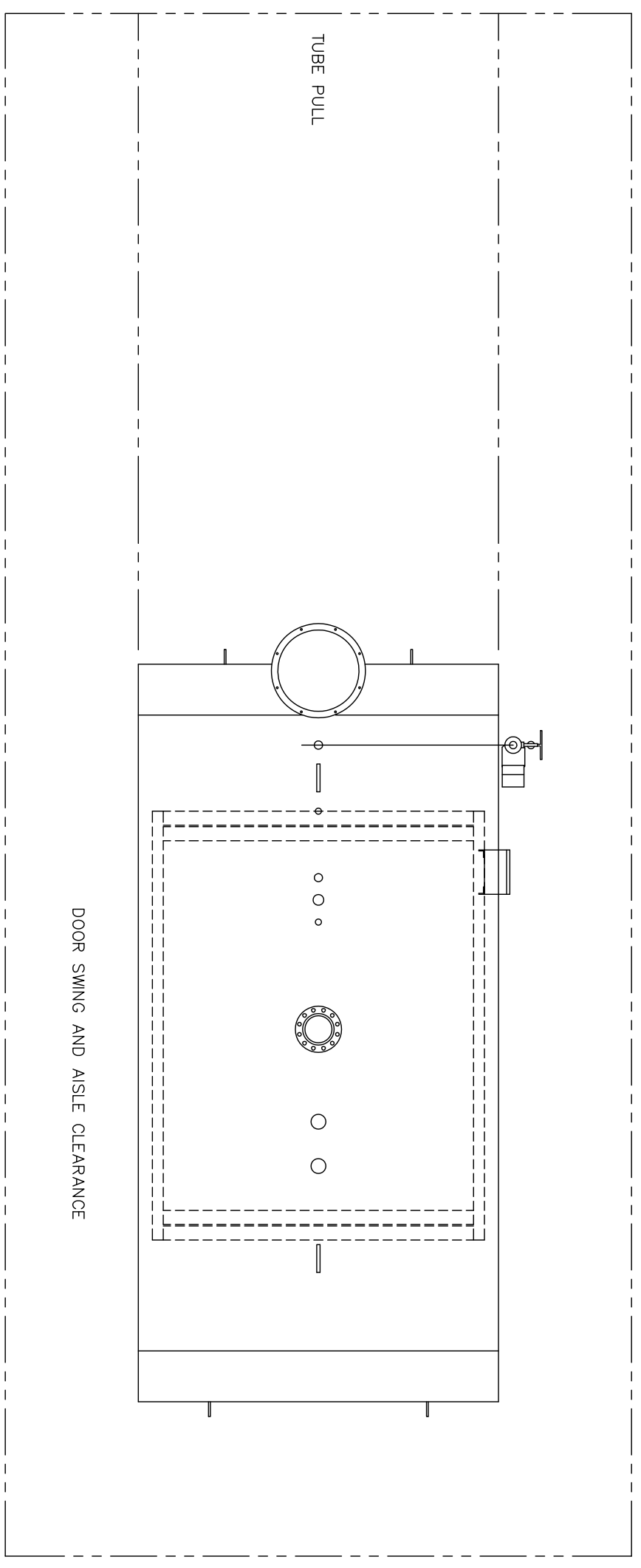
UPDATED BURNER, ADDED PANELS, ADDED TOP CENTERLINES CONNECTIONS TO TOP VIEW.

B 3-19-10 CW

REVD SAFETY VALVE LOCATION.

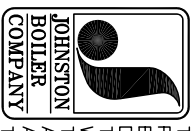


- NOTES:
1. MINIMUM AISLE CLEARANCE 36" FROM BOILER SIDES AND REAR. (THIS REQUIREMENT MAY VARY WITH LOCATION. CHECK STATE AND LOCAL CODES IN THE AREA OF INSTALLATION.)
 2. OPTIONS AND ADDITIONAL EQUIPMENT ORDERED MAY AFFECT OVERALL DIMENSIONS. DRAWINGS ARE FOR STANDARD BOILER PACKAGE.
 3. (16) 1/2 UNC X 1.50 LONG STUDS EQUALLY SPACED STRADDLE CENTERLINES. STUDS FOR BURNER REFRACTORY (DRY OVEN) MOUNTING. REFRACTORY MUST EXTEND 17.25" MINIMUM PAST MOUNTING FLANGE.



REFERENCE DRAWINGS

- PLENUM: #212B0148
- PV BASE: #101B0720
- FR FLUE BOX: #201B0278
- RR FLUE BOX: #205B0133
- #206B0151



THIS DRAWING IS THE PROPERTY OF THE JOHNSTON BOILER COMPANY. THE DISCLOSURES CONTAINED ON THIS DRAWING ARE MADE WITH THE UNDERSTANDING THAT THEY ARE CONFIDENTIAL AND WILL NOT BE USED IN ANY WAY DETRIMENTAL TO THIS COMPANY'S INTEREST.

SCALE: CAD/FULL
 DATE: 2-1-07
 DRAWN: JRS
 CHECKED: JRS
 APPROVED: [Signature]
 JOHNSTON BOILER COMPANY
 FERRYSBURG, MICHIGAN 49409
 BOILER TEMPLATE - 509
 PFTX400-4-150#S
 DWG. NO. 300B0361-03

SO#
 REV B