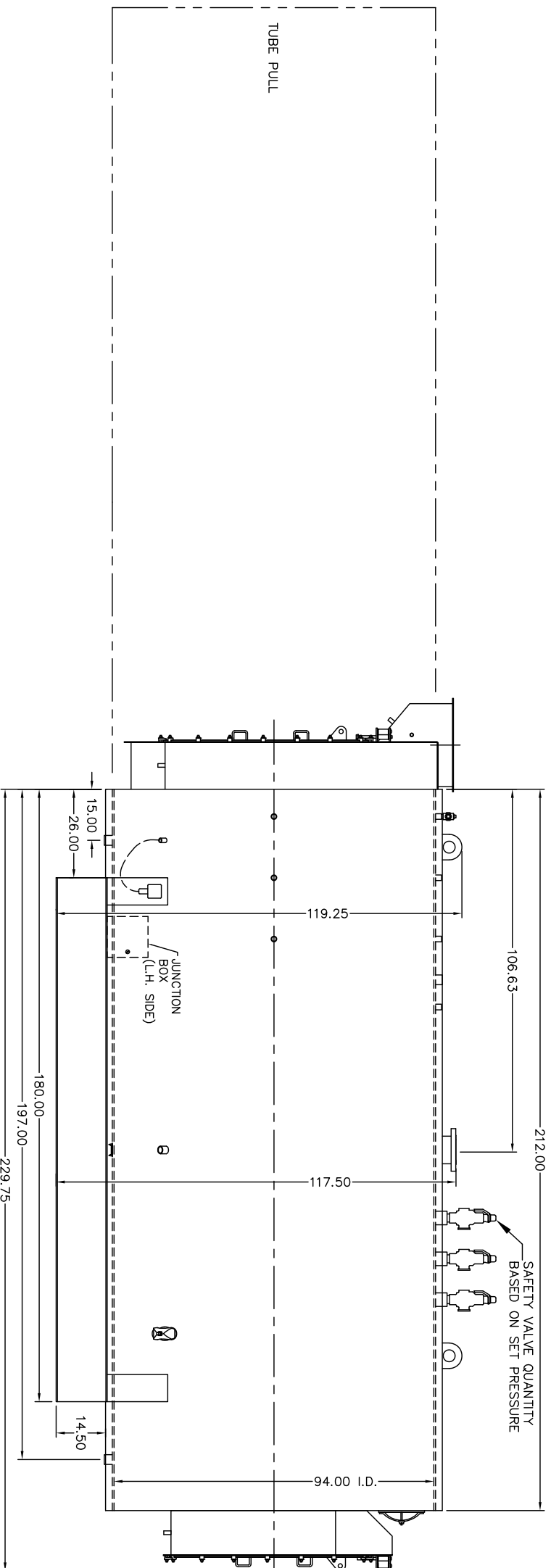
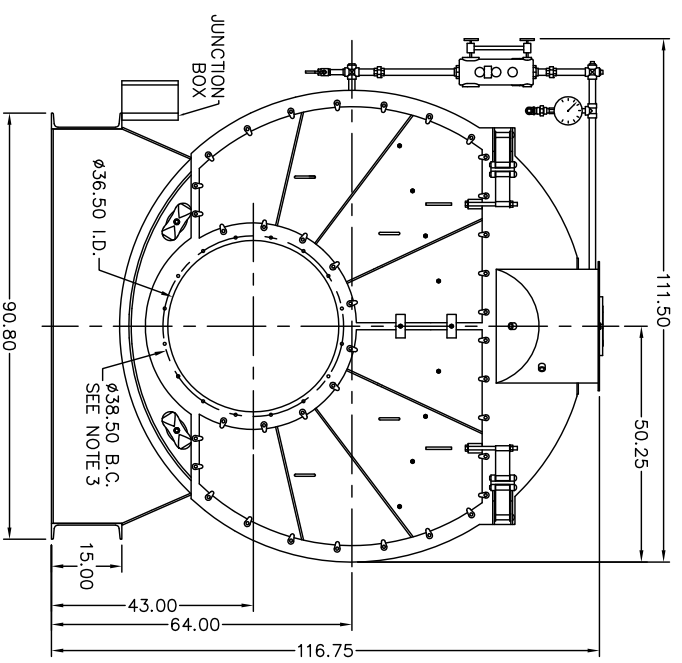
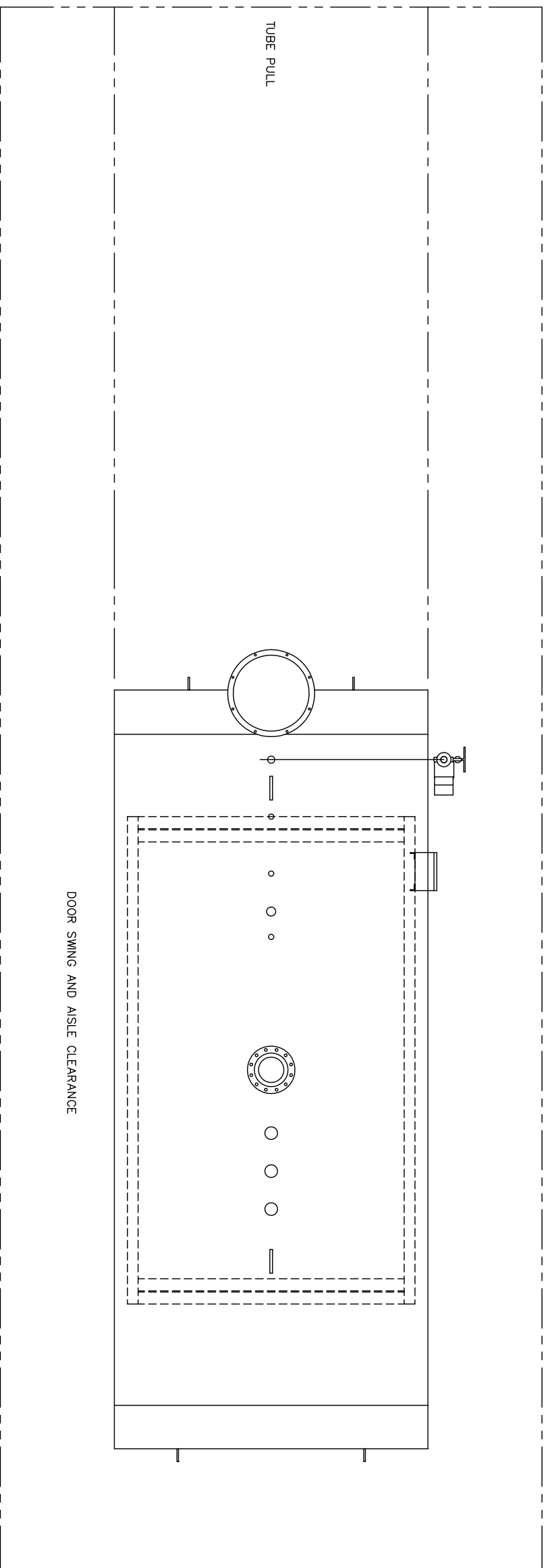


NOTES:

1. MINIMUM AISLE CLEARANCE 36" FROM BOILER SIDES AND REAR. (THIS REQUIREMENT MAY VARY WITH LOCATION. CHECK STATE AND LOCAL CODES IN THE AREA OF INSTALLATION.)
2. OPTIONS AND ADDITIONAL EQUIPMENT ORDERED MAY AFFECT OVERALL DIMENSIONS. DRAWINGS ARE FOR STANDARD BOILER PACKAGE.
3. (16) 1/2 UNC X 1.50 LONG STUDS EQUALLY SPACED STRADDLE CENTERLINES. STUDS FOR BURNER REFRACTORY (DRY OVEN) MOUNTING. REFRACTORY MUST EXTEND 18.00" MINIMUM PAST MOUNTING FLANGE.



DWG NO. 300B0362

REVISIONS

A 1-18-07 JRS

ADDED PANELS, UPDATED BURNER, CHANGED STACK OUTLET, ADDED TOP CENTERLINE CONNECTIONS.

B 3-19-10 CW

REV'D SAFETY VALVE LOCATION.

REFERENCE DRAWINGS:

PLENUM: #212B0170
 PV: #101B0715
 PV BASE: #201B0286
 FR FLUE BOX: #205B0153
 RR FLUE BOX: #206B0149



THIS DRAWING IS THE PROPERTY OF THE JOHNSTON BOILER COMPANY. THE DISCLOSURES CONTAINED ON THIS DRAWING ARE MADE WITH THE UNDERSTANDING THAT THEY ARE CONFIDENTIAL AND WILL NOT BE USED IN ANY WAY DETRIMENTAL TO THIS COMPANY'S INTEREST.

SCALE
 CAD/FULL
 DATE
 2-1-07

DRAWN
 JRS

CHECKED
 JRS

APPROVED

JOHNSTON BOILER COMPANY
 FERRYSBURG, MICHIGAN 49409

BOILER TEMPLATE - 509

DWG. NO. 300B0362-03

ISO#

REV B