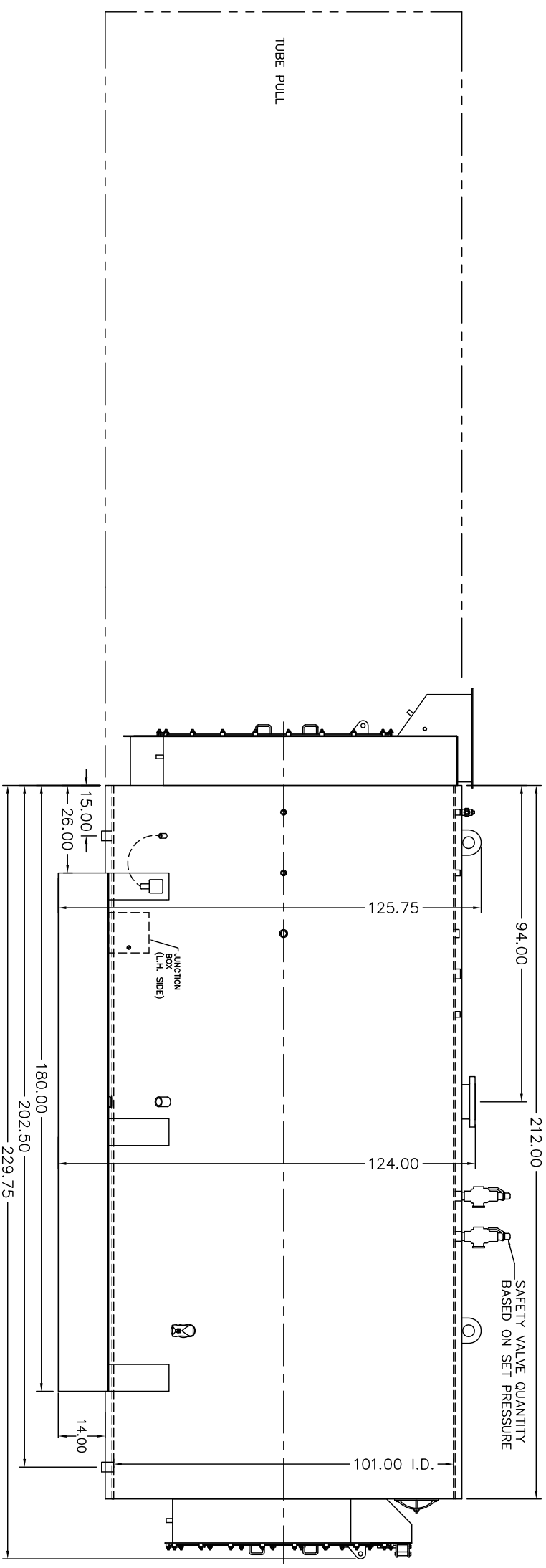
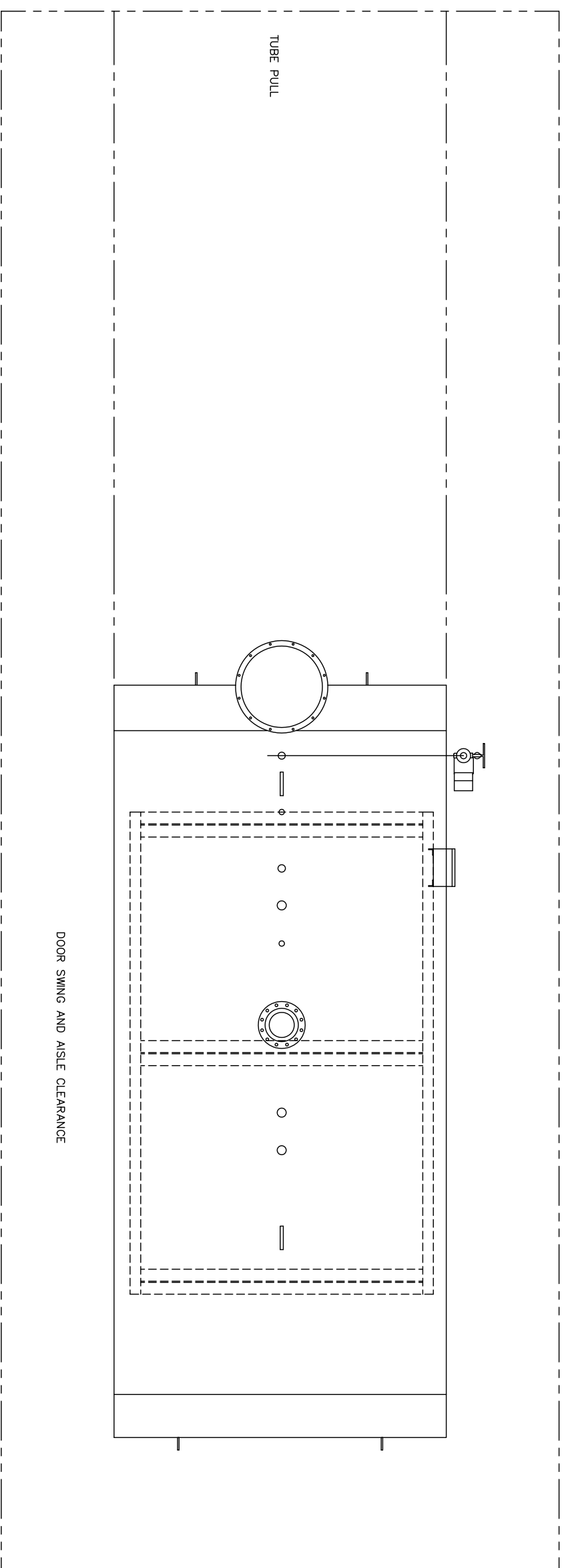
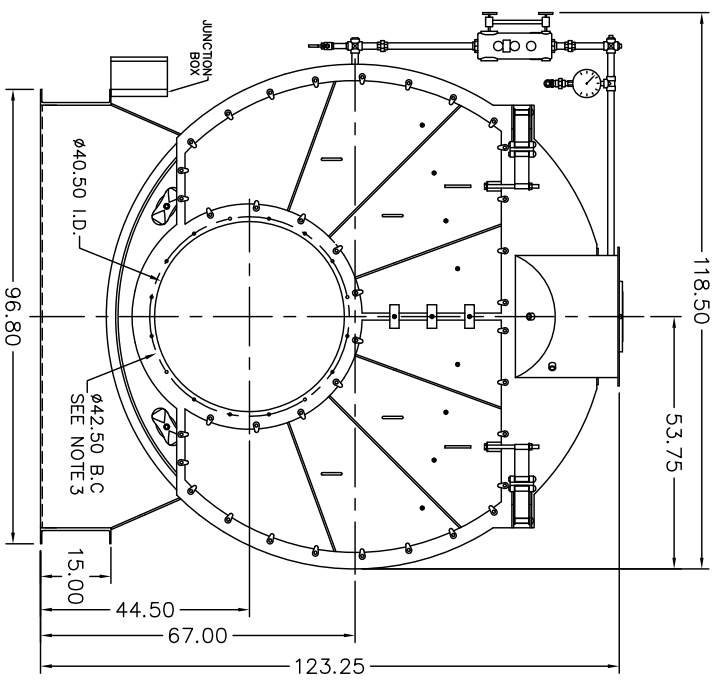


NOTES:

- 1. MINIMUM AISLE CLEARANCE 36" FROM BOILER SIDES AND REAR. (THIS REQUIREMENT MAY VARY WITH LOCATION. CHECK STATE AND LOCAL CODES IN THE AREA OF INSTALLATION.)
- 2. OPTIONS AND ADDITIONAL EQUIPMENT ORDERED MAY AFFECT OVERALL DIMENSIONS. DRAWINGS ARE FOR STANDARD BOILER PACKAGE.
- 3. (16) 5/8 UNC X 1.500 LONG STUDS EQUALLY SPACED STRADDLE CENTERLINES. STUDS FOR BURNER REFRACTORY (DRY OVEN) MOUNTING. REFRACTORY MUST EXTEND 18.75" MINIMUM PAST MOUNTING FLANGE.

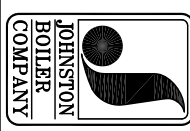


DWG NO. 300B0368

REVISIONS		
A	03-30-01	CSP
ADDED INFO. TO NOTE #1		
B	08-16-06	MN
SAFETY VALVE COUPLINGS WERE INLINE.		
C	1-22-07	JRS
UPDATED BURNER, CHANGED FLUEBOX OUTLET, CHANGED, UPDATED TUBE PULL, ADDED PANELS.		
D	3-19-10	CW
REV'D SAFETY VALVE LOCATION.		

REFERENCE DRAWINGS

- PLENUM: #212B0150
- PV BASE: #101B0741
- FR FLUE BOX: #205B0148
- RR FLUE BOX: #206B0138



THIS DRAWING IS THE PROPERTY OF THE JOHNSTON BOILER COMPANY. THE DISCLOSURES CONTAINED ON THIS DRAWING ARE MADE WITH THE UNDERSTANDING THAT THEY ARE CONFIDENTIAL AND WILL NOT BE USED IN ANY WAY DETRIMENTAL TO THIS COMPANY'S INTEREST.

SCALE	DATE	BY	APP'D	DWG. NO.
CAD/FULL	2-1-07	JRS	APPROVED	300B0368-03
JOHNSTON BOILER COMPANY				
FERRYSBURG, MICHIGAN 49409				
BOILER TEMPLATE - 509				
PFTX600-4-150#S				

REV D