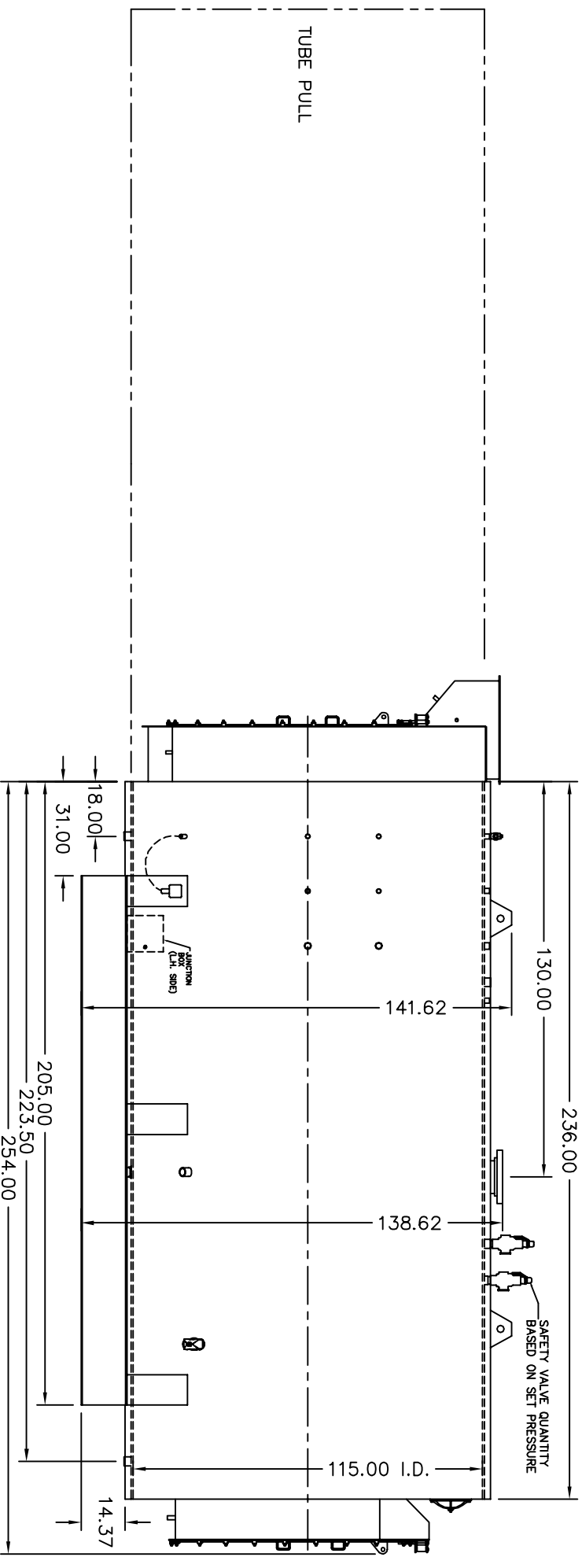
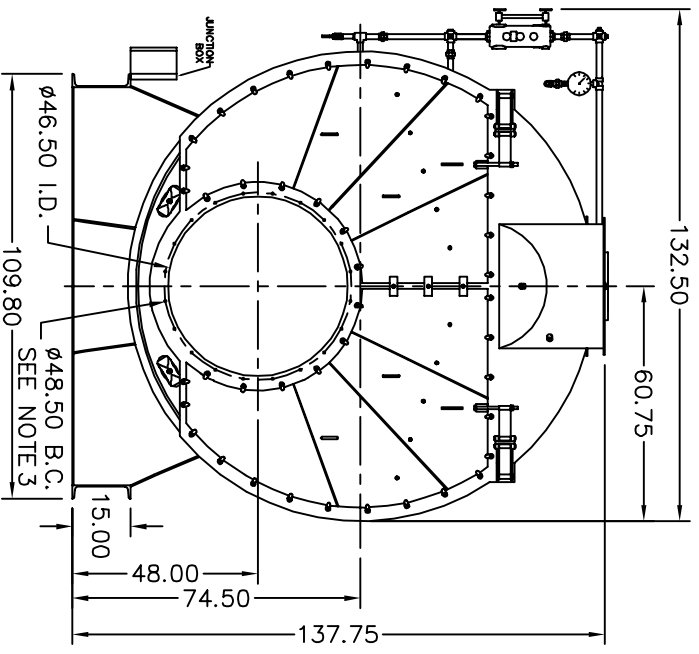
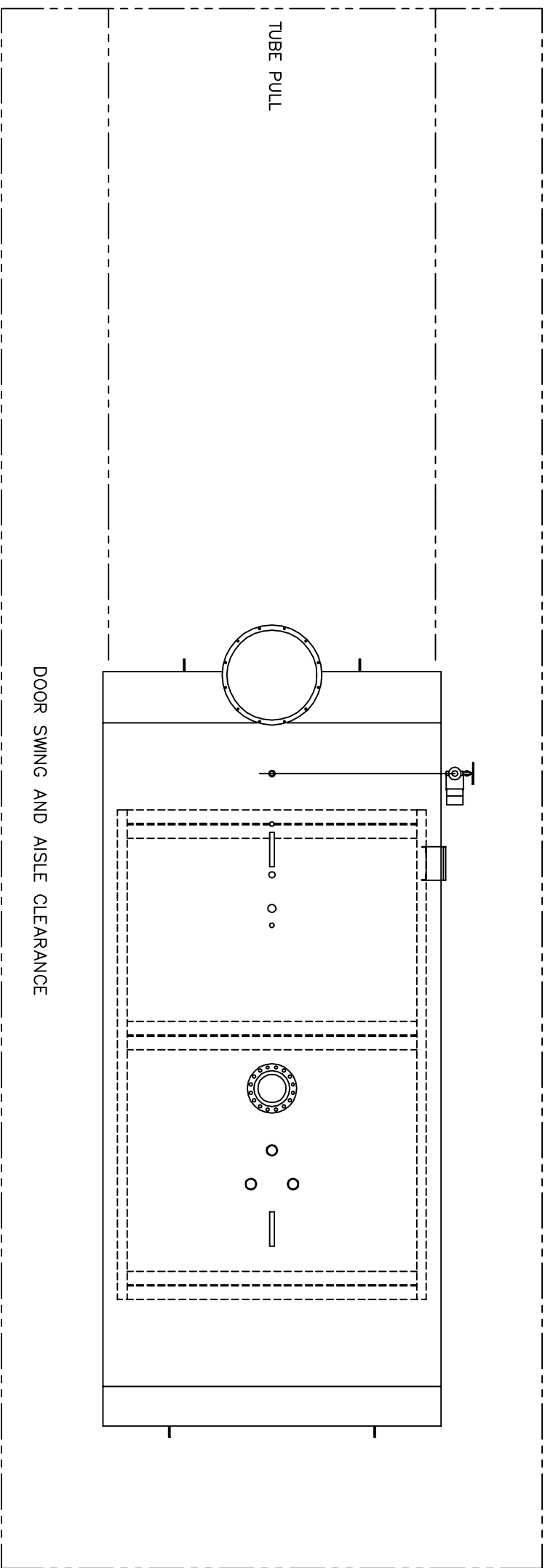


NOTES:

1. MINIMUM AISLE CLEARANCE 36" FROM BOILER SIDES AND REAR. (THIS REQUIREMENT MAY VARY WITH LOCATION. CHECK STATE AND LOCAL CODES IN THE AREA OF INSTALLATION.)
2. OPTIONS AND ADDITIONAL EQUIPMENT ORDERED MAY AFFECT OVERALL DIMENSIONS. DRAWINGS ARE FOR STANDARD BOILER PACKAGE.
3. (20) 5/8 UNC X 1.500 LONG STUDS EQUALLY SPACED STRADDLE CENTERLINES. STUDS FOR BURNER REFRACTORARY (DRY OVEN) MOUNTING. REFRACTORARY MUST EXTEND 22.25" MINIMUM PAST MOUNTING FLANGE.

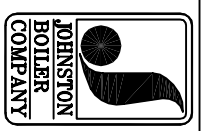


DWG NO. 300B0357

REVISIONS

REFERENCE DRAWINGS

- PLENUM: #212B0167
 PV BASE: #101B0716
 FR FLUE BOX: #201B0290
 RR FLUE BOX: #205B0154
 #206B0150



THIS DRAWING IS THE PROPERTY OF THE JOHNSTON BOILER COMPANY. THE DISCLOSURES CONTAINED ON THIS DRAWING ARE MADE WITH THE UNDERSTANDING THAT THEY ARE CONFIDENTIAL AND WILL NOT BE USED IN ANY WAY DETRIMENTAL TO THIS COMPANY'S INTEREST.

SCALE	CAD/FULL	DATE	2-5-07
DRAWN	DRS	CHECKED	APPROVED
JOHNSTON BOILER COMPANY		FERRYSBURG, MICHIGAN 49409	
BOILER TEMPLATE - 509		PFTX900-4-150#S	
DWG. NO. 300B0357-03		REV	