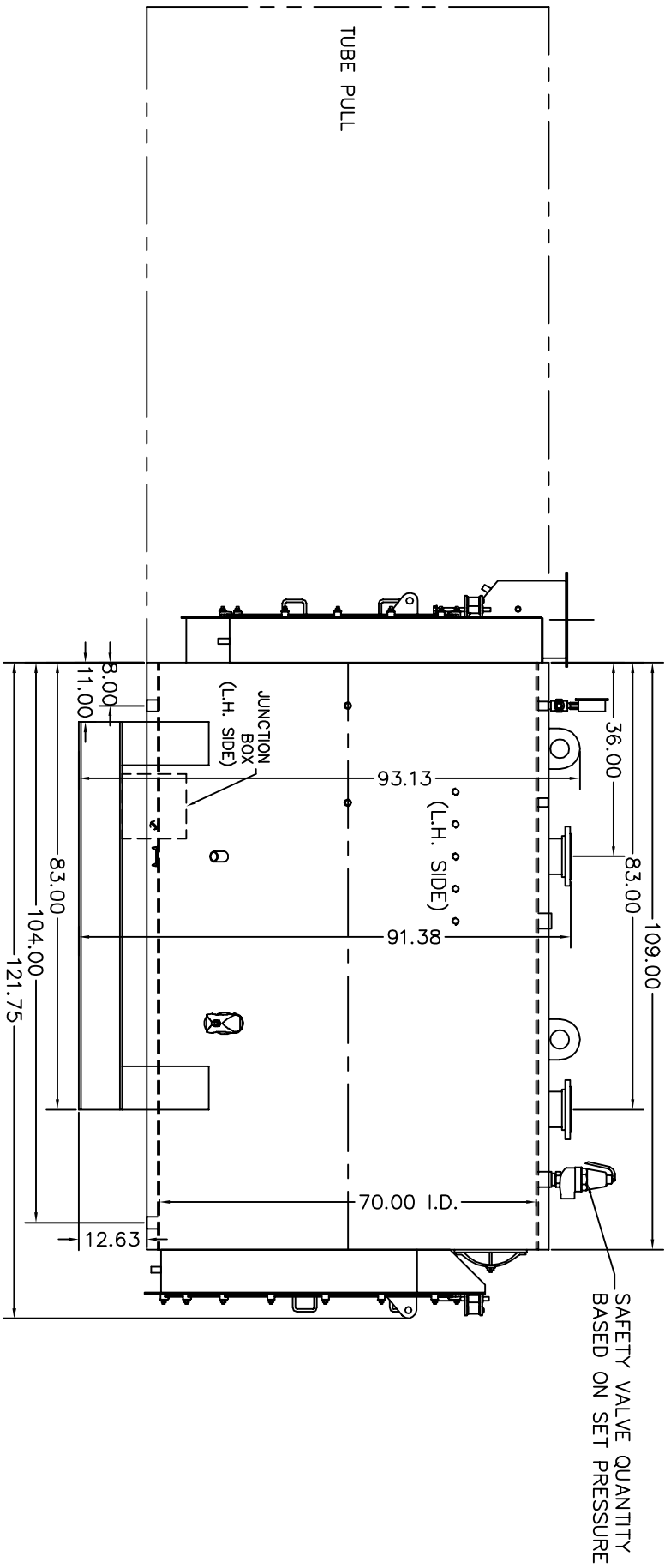
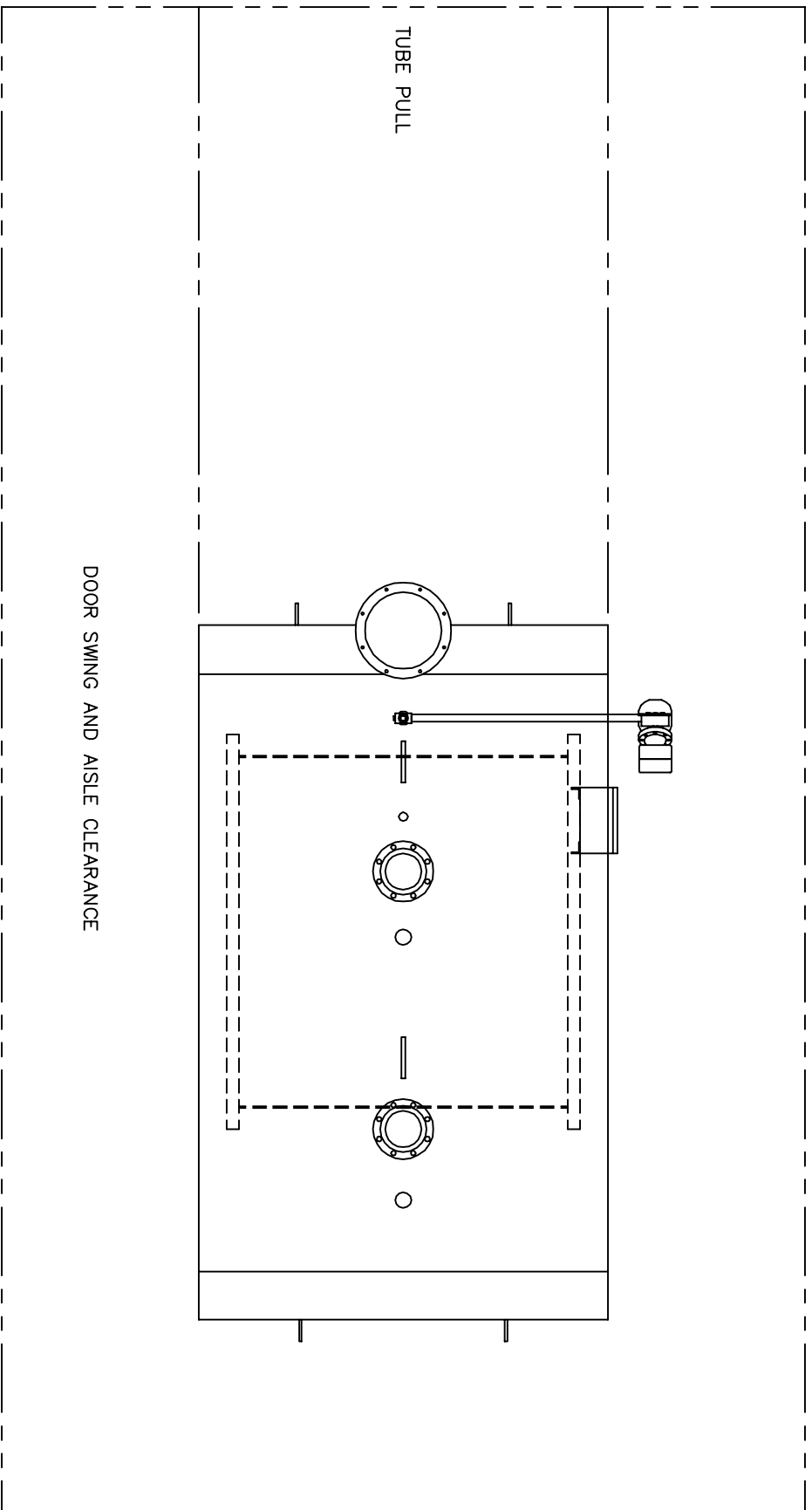
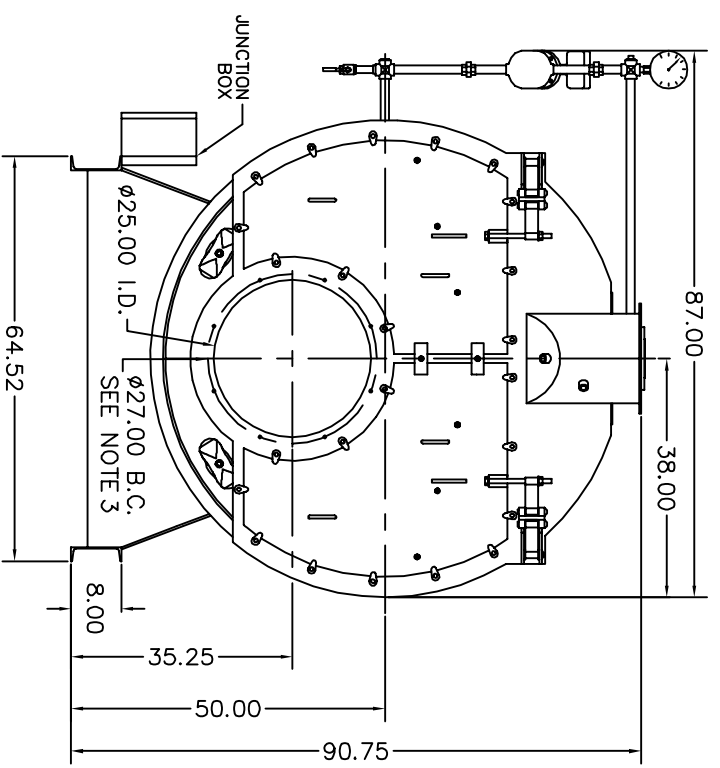
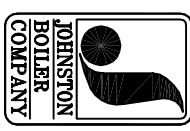


- NOTES:
1. MINIMUM AISLE CLEARANCE 36" FROM BOILER SIDES AND REAR. (THIS REQUIREMENT MAY VARY WITH LOCATION. CHECK STATE AND LOCAL CODES IN THE AREA OF INSTALLATION.)
  2. OPTIONS AND ADDITIONAL EQUIPMENT ORDERED MAY AFFECT OVERALL DIMENSIONS. DRAWINGS ARE FOR STANDARD BOILER PACKAGE.
  3. (8) 1/2 UNC X 1.375 LONG STUDS EQUALLY SPACED STRADDLE CENTERLINES. STUDS FOR BURNER REFRACTORY (DRY OVEN) MOUNTING. REFRACTORY MUST EXTEND 12.50" MINIMUM PAST MOUNTING FLANGE.



REFERENCE DRAWINGS

- PV: #101B0919
- PV BASE: #201B0272
- FR FLUE BOX: #205B0159
- RR FLUE BOX: #206B0156



THIS DRAWING IS THE PROPERTY OF THE JOHNSTON BOILER COMPANY. THE DISCLOSURES CONTAINED ON THIS DRAWING ARE MADE WITH THE UNDERSTANDING THAT THEY ARE CONFIDENTIAL AND WILL NOT BE USED IN ANY WAY DETRIMENTAL TO THIS COMPANY'S INTEREST.

SCALE	CAD/FULL	DATE	2-22-07
DRAWN	DRS	CHECKED	
APPROVED			
JOHNSTON BOILER COMPANY FERRYSBURG, MICHIGAN 49409 BOILER TEMPLATE - 509N PFTX-125-4 30#W DWG. NO. 300B0451-03			