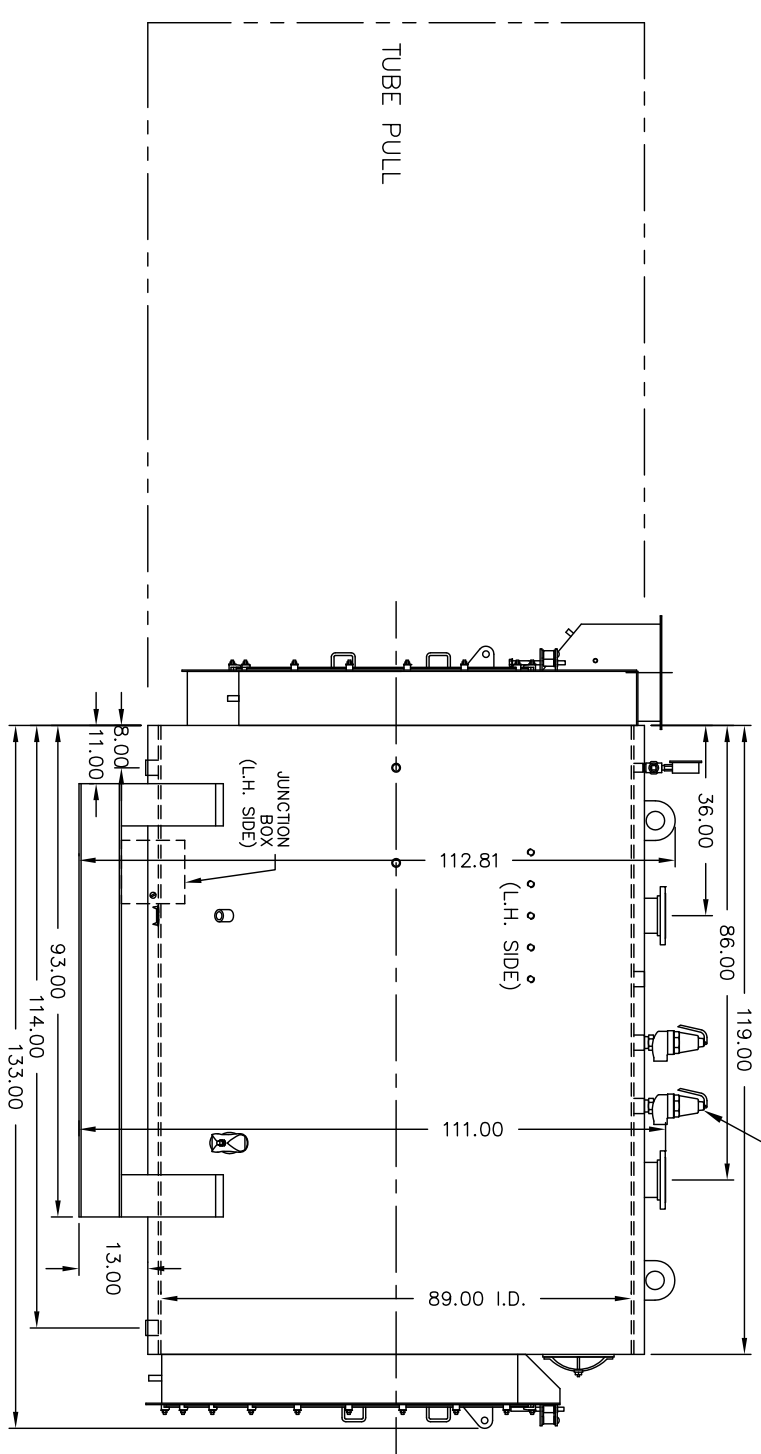
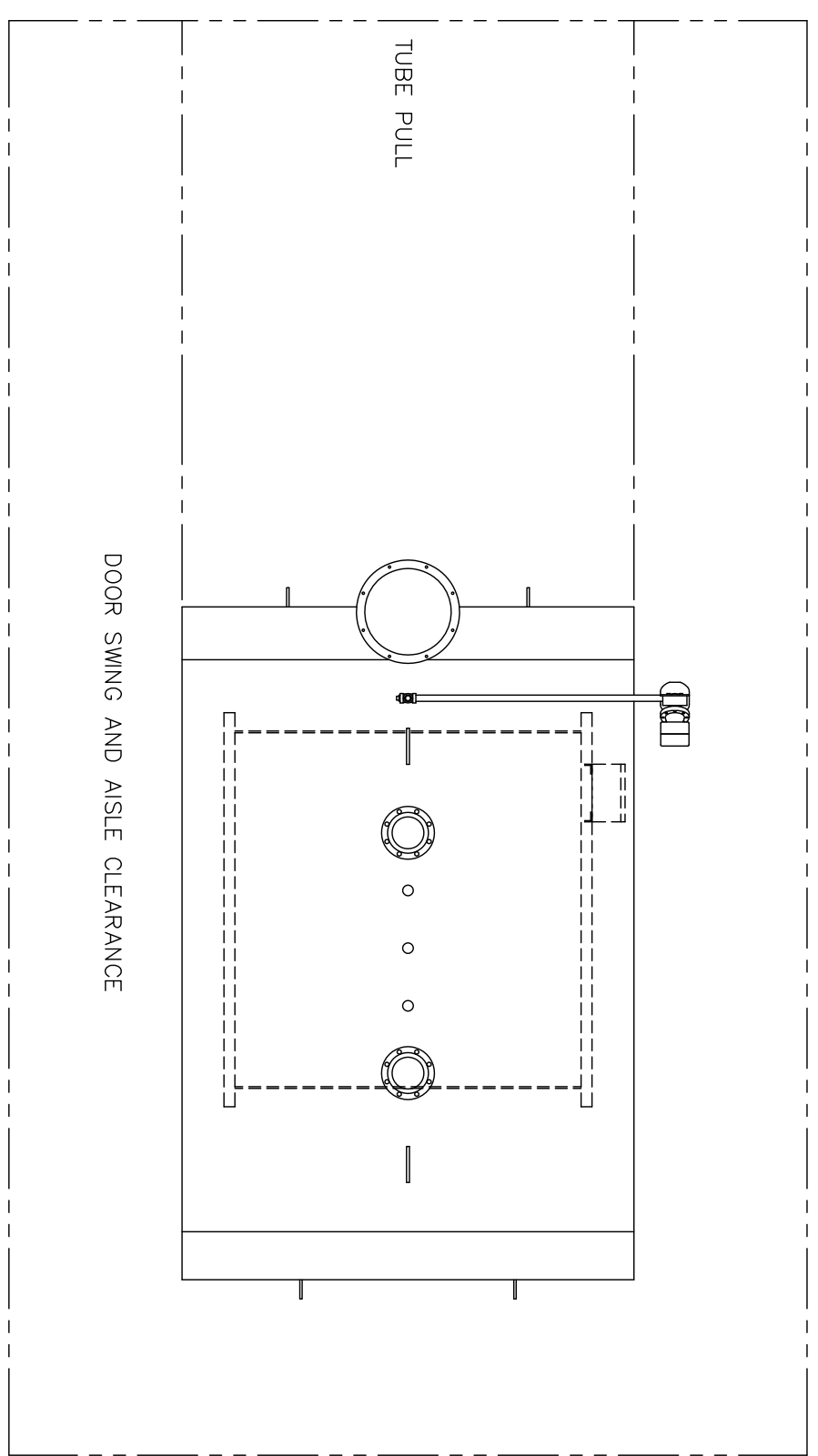
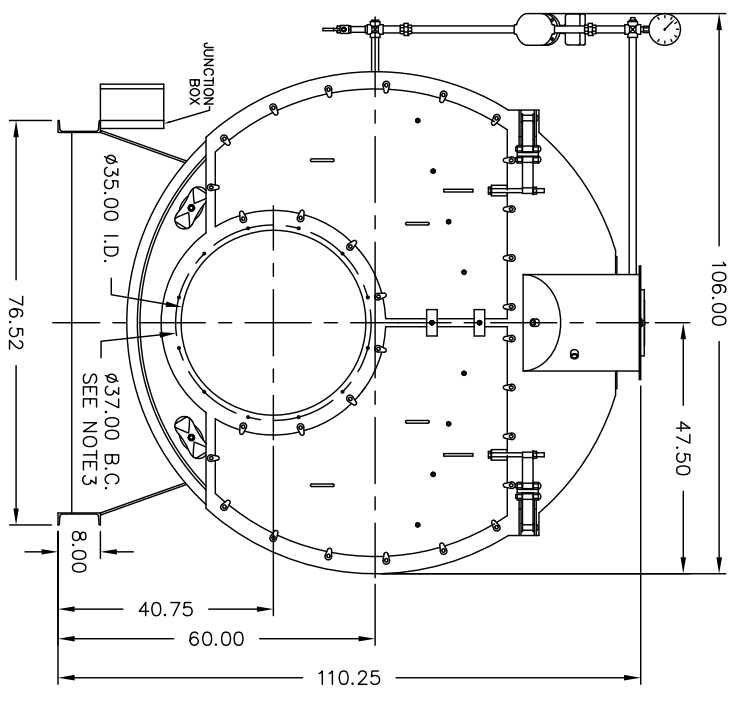


REVISIONS		
A	3-19-10	CW

REV'D LOCATION OF AUX. CONNECTION AND SAFETY VALVES.

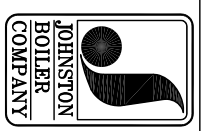
NOTES:

1. MINIMUM AISLE CLEARANCE 36" FROM BOILER SIDES AND REAR. (THIS REQUIREMENT MAY VARY WITH LOCATION. CHECK STATE AND LOCAL CODES IN THE AREA OF INSTALLATION.)
2. OPTIONS AND ADDITIONAL EQUIPMENT ORDERED MAY AFFECT OVERALL DIMENSIONS. DRAWINGS ARE FOR STANDARD BOILER PACKAGE.
3. (12) 1/2 UNC X 1.375 LONG STUDS EQUALLY SPACED STRADDLE CENTERLINES. STUDS FOR BURNER REFRACTORY (DRY OVEN) MOUNTING. REFRACTORY MUST EXTEND 14.50" MINIMUM PAST MOUNTING FLANGE.



REFERENCE DRAWINGS

- PLENUM: #212B0158
 PV BASE: #101B0923
 RR FLUE BOX: #205B0134
 RR FLUE BOX: #206B0152



THIS DRAWING IS THE PROPERTY OF THE JOHNSTON BOILER COMPANY. THE DISCLOSURES CONTAINED ON THIS DRAWING ARE MADE WITH THE UNDERSTANDING THAT THEY ARE CONFIDENTIAL AND WILL NOT BE USED IN ANY WAY DETRIMENTAL TO THIS COMPANY'S INTEREST.

SCALE	CAD/FULL	DATE	2-22-07	DRAWN	URS	CHECKED	APPROVED	DWG. NO.	300B0454-03
								JOHNSTON BOILER COMPANY	
								FERRYSBURG, MICHIGAN 49409	
								BOILER TEMPLATE - 509	
								PFTX250-4-30#W	
								#	
								A	