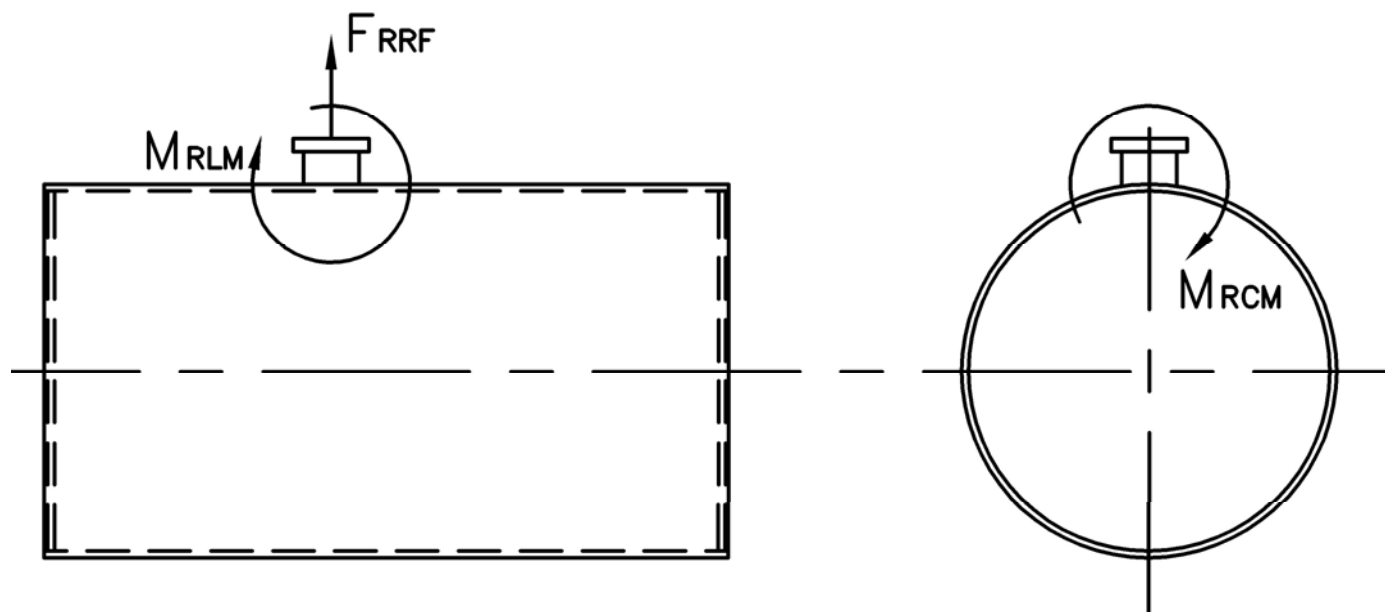


MODEL: PFTX 350-4

Nozzle Loadings

Maximum Allowable Load on Boiler Steam Nozzle					
	15# Design	150# Design	200# Design	250# Design	300# Design
F_{RRF} , lb	7,260	3,165	4,340	4,125	4,245
M_{RCM} , in-lb	43,065	28,560	47,580	41,280	50,270
M_{RLM} , in-lb	78,070	23,460	37,255	37,255	42,035



Distributed By:



300 Pine Street
 P.O. Box 300
 Ferrysburg, MI 49409-0300
 Telephone: (616) 842-5050
 Net: www.johnstonboiler.com



MODEL: PFTX 350-4

4-Pass Steam Packaged Firetube Boiler



Ratings & Performance Data

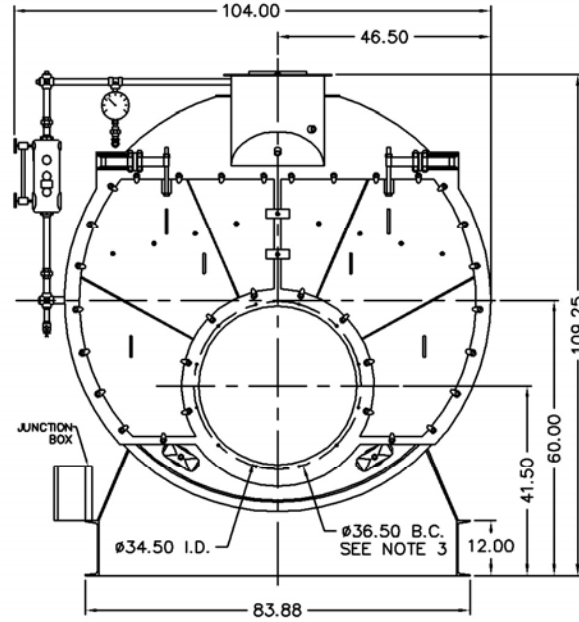
Horsepower 350			
Steam Storage, ft ³	59.4	Natural Gas Flow, SCFH (1,000 Btu/ft ³)**	14,233
Steam Disengaging Area, ft ²	75.0	Combustion Air (15% Excess), SCFM***	2,604
Total Heating Surface, ft ²	1,756	Flue Gas Flow Rate, lb/hr***	12,412
Furnace Outside Diameter, in	40.0	Stack Flue Gas Velocity, ft/min***	2,109
Furnace Heat Release Rate, Btu/ft ³ hr**	153,000	#2 Oil Flow, gal/hr (140,000 BTU/gal)**	98.0
Total Combustion Volume, ft ³	134.3	#6 Oil Flow, gal/hr (150,000 BTU/gal)**	90.8
Total Heat Release Rate, Btu/ft ³ hr**	106,000	Flue Gas Side Pressure Drop, in. H ₂ O	3.9
Water Content N.W.L., gal	2,193	Water Content Flooded, gal.	2,637
Approx. Dry Weight 15#, lb	24,200	Approx. Operating Weight 15#, lb.	43,000
Approx. Dry Weight 150#, lb	27,300	Approx. Operating Weight 150#, lb.	46,100
Approx. Dry Weight 200#, lb	30,500	Approx. Operating Weight 200#, lb.	49,300
Approx. Dry Weight 250#, lb	34,600	Approx. Operating Weight 250#, lb.	53,400
Approx. Dry Weight 300#, lb	38,200	Approx. Operating Weight 300#, lb.	57,000

Performance Data							
Operating Pressure (psig)	Steam Rate (lb/hr)	Natural Gas		#2 Oil		#6 Oil	
		Stack Temp (F)	%Eff	Stack Temp (F)	%Eff	Stack Temp (F)	%Eff
10	12,155	301	84.8	312	87.9	321	88.6
50	11,919	358	83.3	370	86.4	380	87.1
100	11,792	398	82.3	410	85.4	421	86.0
150	11,721	426	81.6	438	84.7	450	85.3
200	11,676	448	81.0	460	84.1	473	84.7
250	11,648	467	80.6	478	83.6	492	84.2
300	11,630	483	80.2	494	83.2	509	83.8

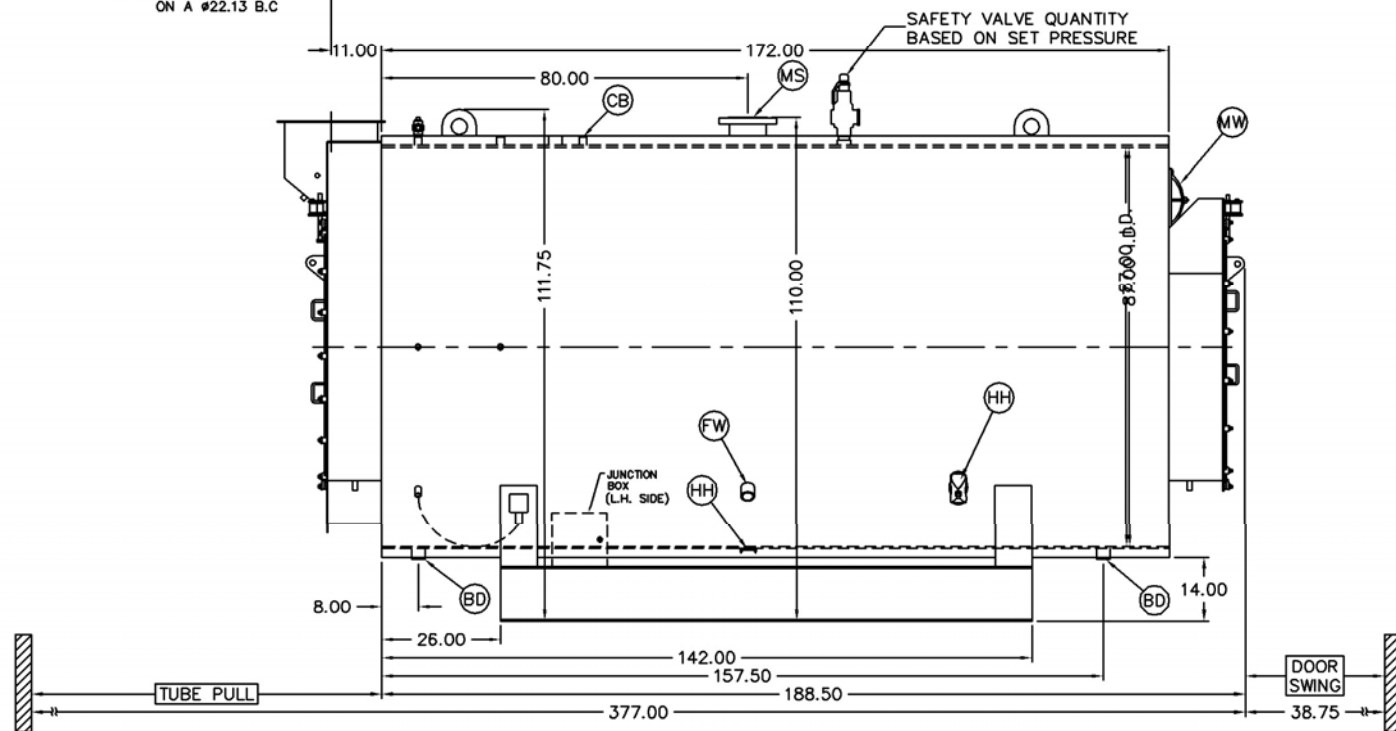
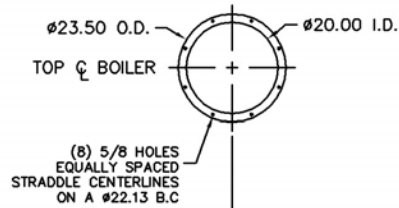
*Based on 228°F feedwater and 3% O₂, ** Values calculated at 100 psi operating pressure, ***Calculated Firing Natural Gas

Connection & Opening Schedule			
Conn.	Description	Type	Qty
FW	Feedwater Inlet	1.50 FNPT	2
MS*	Main Steam	6.00 300# RF	1
CB	Continuous Blowoff	1.00 FNPT	1
BD	Blowdown Outlet	2.00 FNPT	2
MW	Manway	12 X 16	1
HH	Hand Hole	4 X 6	7

*10.00 150#RF Flange on 15 psig Design

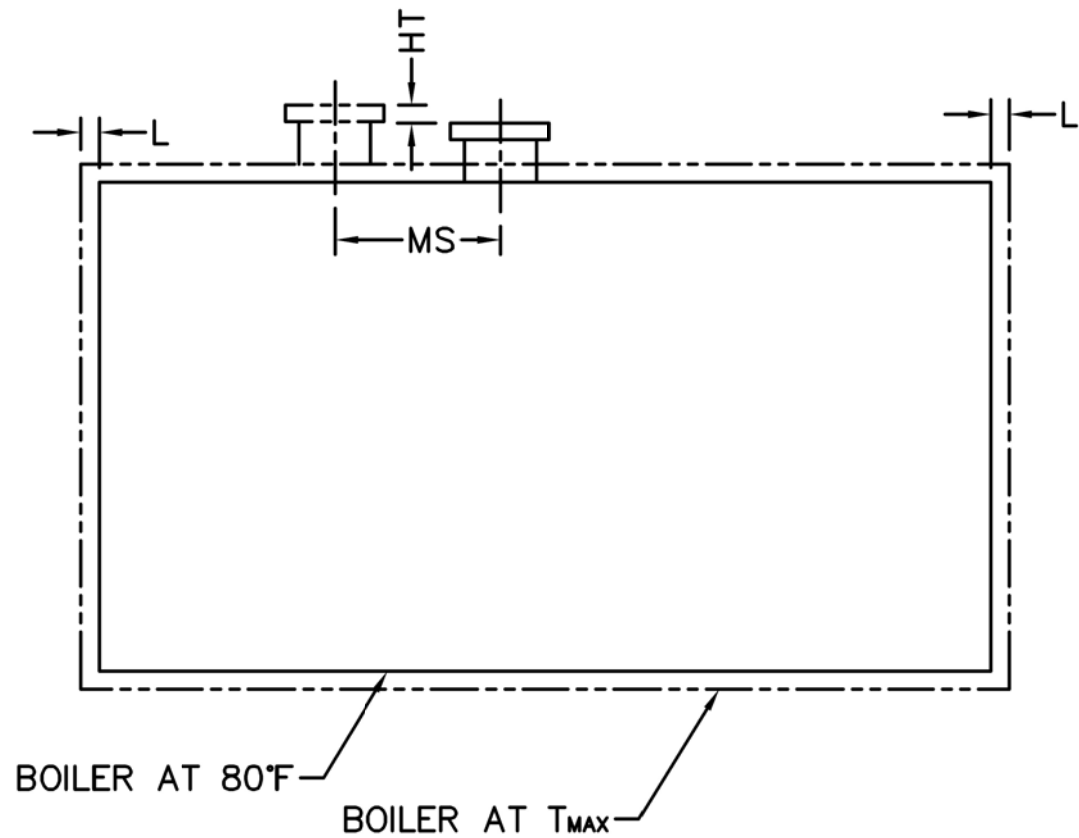
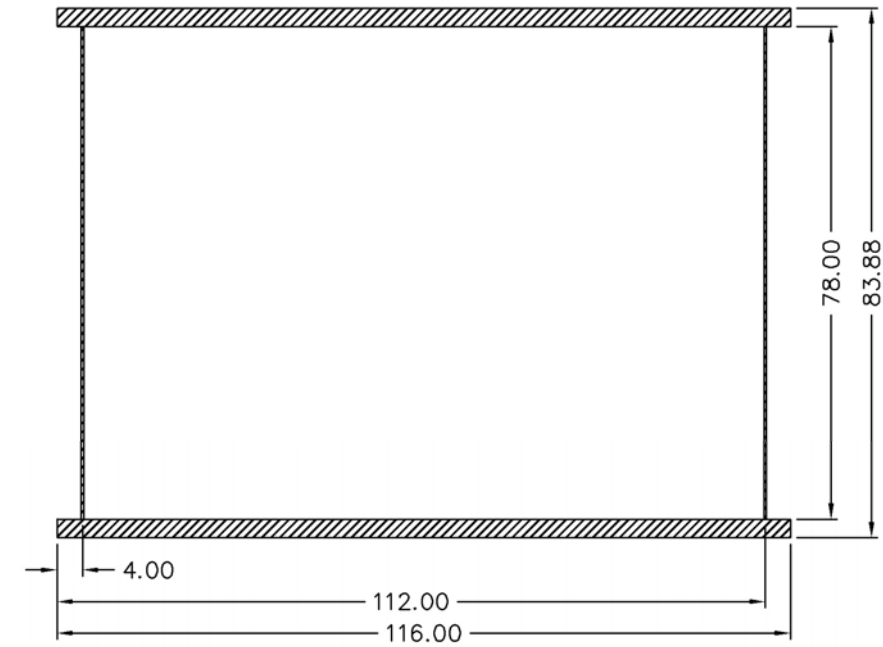


NOTE: (12) 1/2 UNC X 1.375 LONG STUDS EQUALLY SPACED STRADDLE CENTERLINES. STUDS FOR BURNER REFRACTORY (DRY OVEN) MOUNTING. REFRACTORY MUST EXTEND 16.00" MINIMUM PAST MOUNTING FLANGE.



Notes:
 150# Steam design shown, all dimensions given in inches.
 Fuel piping and/or optional boiler trim may increase overall width.
 Specifications subject to change to incorporate engineering advances.

Base Diagram



Thermal Expansion					
psig	15	150	200	250	300
Metal T _{MAX} (F)	240	366	388	406	421
L (in)	0.088	0.147	0.159	0.168	0.176
MS (in)	0.006	0.010	0.011	0.012	0.012
HT (in)	0.089	0.150	0.162	0.171	0.180