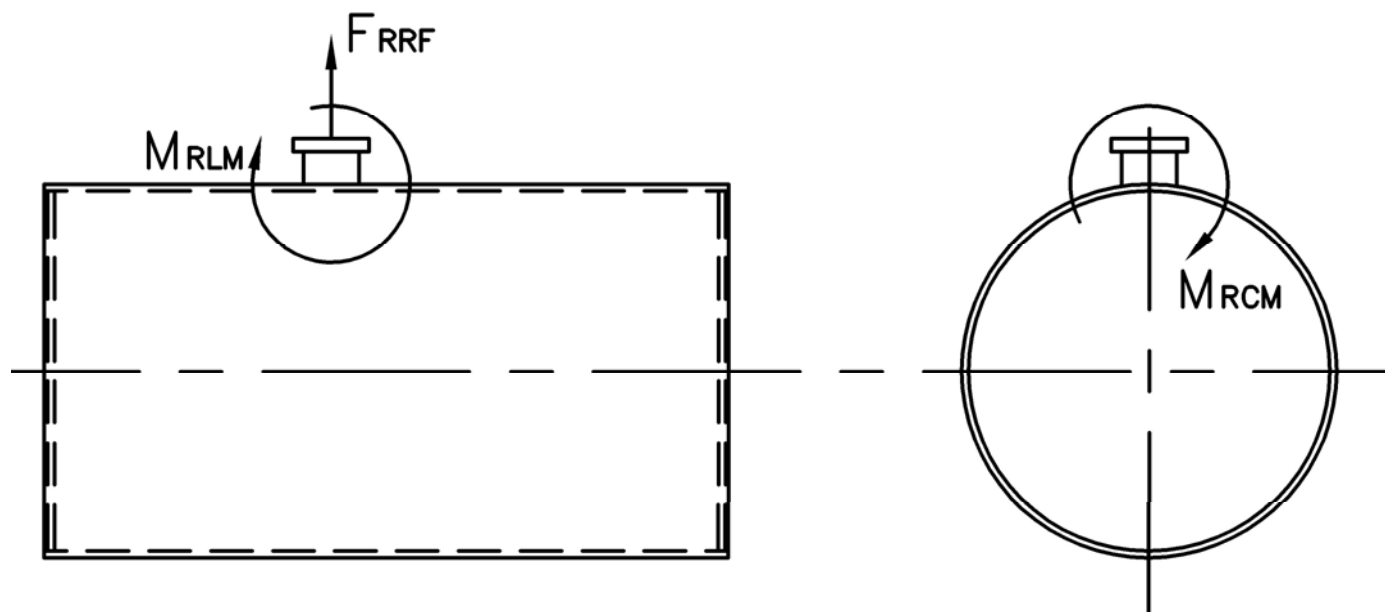


# MODEL: PFTX 750-4

## Nozzle Loadings

Maximum Allowable Load on Boiler Steam Nozzle					
	15# Design	150# Design	200# Design	250# Design	300# Design
$F_{RRF}$ , lb	6,235	4,695	6,590	8,260	9,810
$M_{RCM}$ , in-lb	50,040	58,795	83,190	109,040	142,075
$M_{RLM}$ , in-lb	79,540	48,155	67,575	90,300	104,430



Distributed By:



300 Pine Street  
 P.O. Box 300  
 Ferrysburg, MI 49409-0300  
 Telephone: (616) 842-5050  
 Net: www.johnstonboiler.com



# MODEL: PFTX 750-4

## 4-Pass Steam Packaged Firetube Boiler

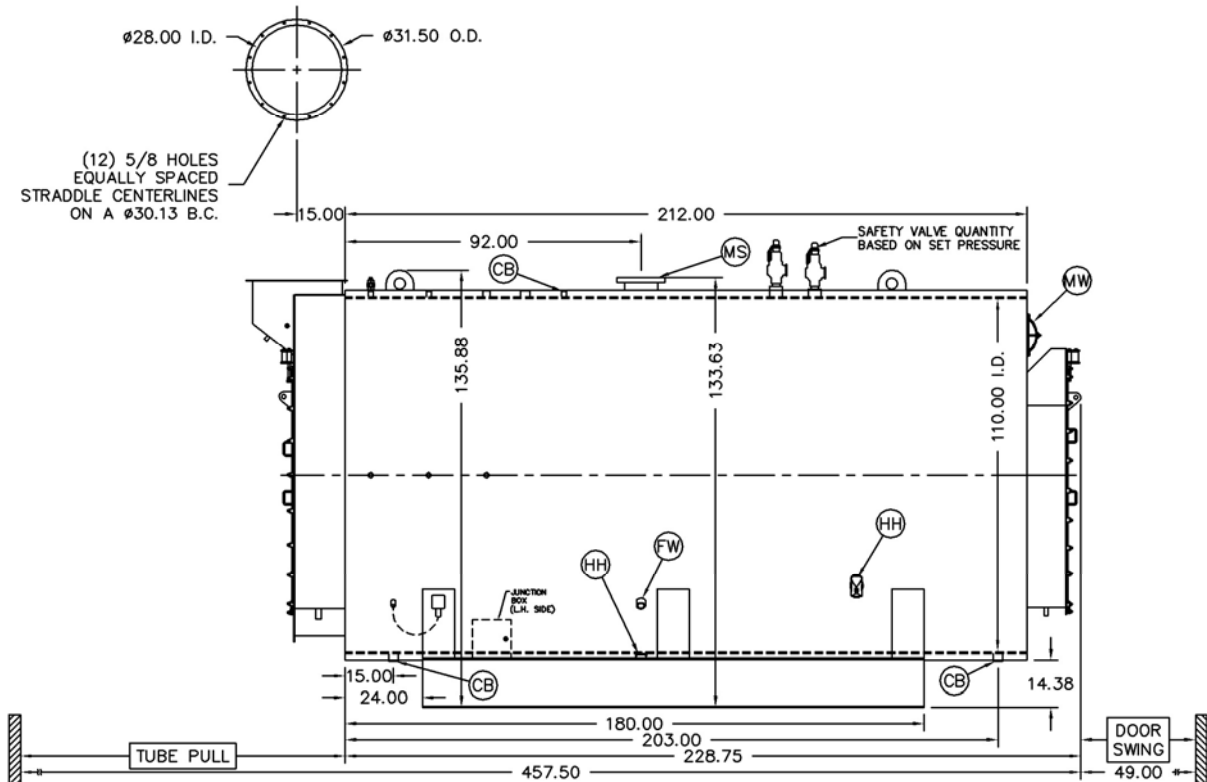
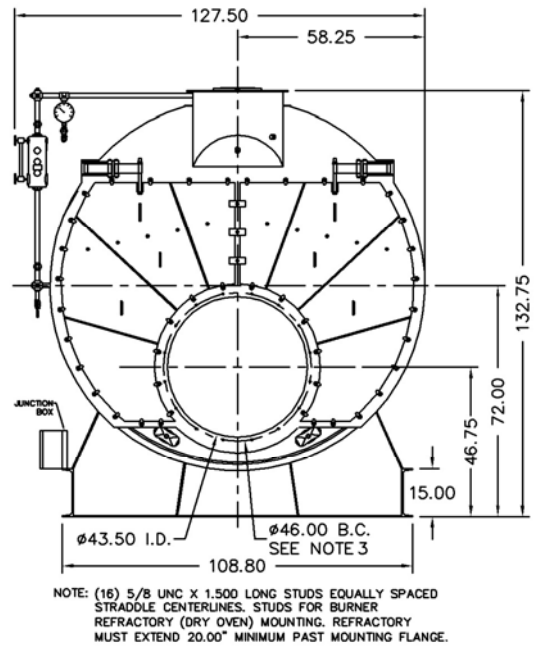


## Ratings & Performance Data

Horsepower 750							
Steam Storage, ft <sup>3</sup>	148.8	Natural Gas Flow, SCFH (1,000 Btu/ft <sup>3</sup> )**	30,263				
Steam Disengaging Area, ft <sup>2</sup>	125.1	Combustion Air (15% Excess), SCFM***	5,538				
Total Heating Surface, ft <sup>2</sup>	3,727	Flue Gas Flow Rate, lb/hr***	26,391				
Furnace Outside Diameter, in	49.5	Stack Flue Gas Velocity, ft/min***	2,231				
Furnace Heat Release Rate, Btu/ft <sup>3</sup> hr**	161,000	#2 Oil Flow, gal/hr (140,000 BTU/gal)**	208.3				
Total Combustion Volume, ft <sup>3</sup>	252.5	#6 Oil Flow, gal/hr (150,000 BTU/gal)**	192.8				
Total Heat Release Rate, Btu/ft <sup>3</sup> hr**	120,000	Flue Gas Side Pressure Drop, in. H <sub>2</sub> O	6.1				
Water Content N.W.L., gal	4,084	Water Content Flooded, gal.	5,197				
Approx. Dry Weight 15#, lb	51,000	Approx. Operating Weight 15#, lb.	84,200				
Approx. Dry Weight 150#, lb	55,300	Approx. Operating Weight 150#, lb.	88,500				
Approx. Dry Weight 200#, lb	59,300	Approx. Operating Weight 200#, lb.	92,500				
Approx. Dry Weight 250#, lb	63,900	Approx. Operating Weight 250#, lb.	97,100				
Approx. Dry Weight 300#, lb	69,400	Approx. Operating Weight 300#, lb.	102,600				
Performance Data							
Operating Pressure (psig)	Steam Rate (lb/hr)	Natural Gas		#2 Oil		#6 Oil	
		Stack Temp (F)	%Eff	Stack Temp (F)	%Eff	Stack Temp (F)	%Eff
10	26,046	280	85.4	289	88.5	296	89.3
50	25,541	337	84.0	346	87.1	354	87.8
100	25,268	377	83.0	386	86.1	394	86.8
150	25,116	405	82.3	414	85.4	422	86.1
200	25,021	427	81.7	436	84.8	445	85.5
250	24,960	445	81.3	454	84.4	463	85.1
300	24,921	461	80.9	470	84.0	480	84.7

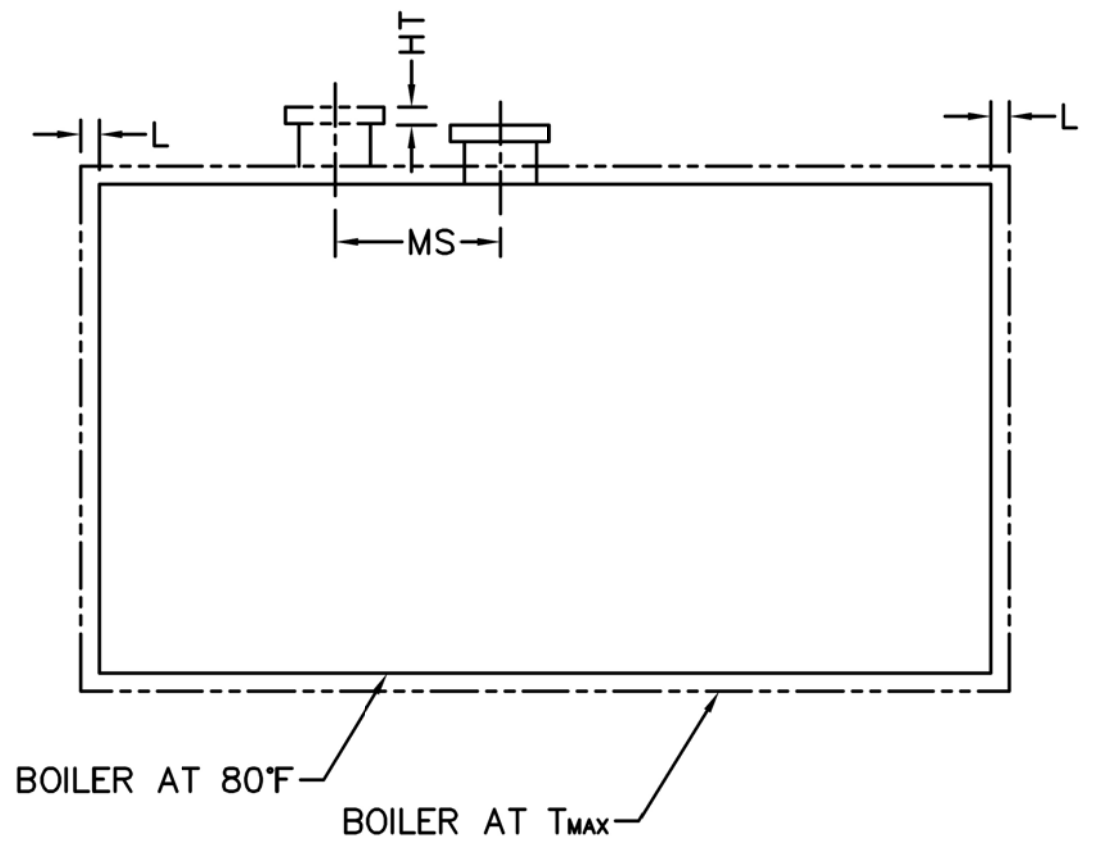
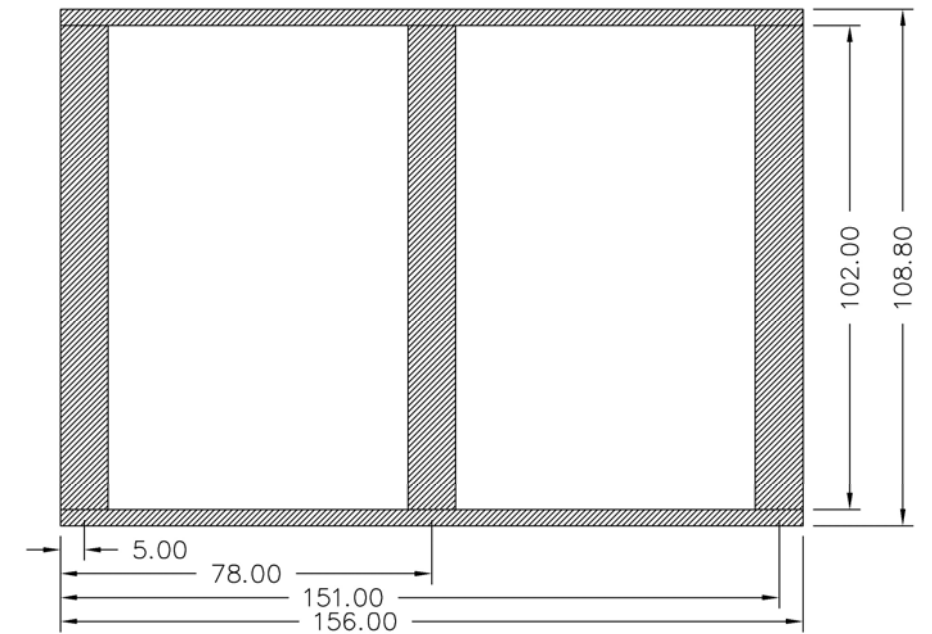
\*Based on 228°F feedwater and 3% O<sub>2</sub>, \*\* Values calculated at 100 psi operating pressure, \*\*\*Calculated Firing Natural Gas

Connection & Opening Schedule			
Conn.	Description	Type	Qty
FW	Feedwater Inlet	2.00 FNPT	2
MS*	Main Steam	8.00 300# RF	1
CB	Continuous Blowoff	1.00 FNPT	1
BD	Blowdown Outlet	2.00 FNPT	2
MW	Manway	12 X 16	1
HH	Hand Hole	4 X 6	7
*12.00 150#RF Flange on 15 psig Design			



Notes:  
 150# Steam design shown, all dimensions given in inches.  
 Fuel piping and/or optional boiler trim may increase overall width.  
 Specifications subject to change to incorporate engineering advances.

Base Diagram



Thermal Expansion					
psig	15	150	200	250	300
Metal T <sub>MAX</sub> (F)	240	366	388	406	421
L (in)	0.108	0.182	0.196	0.207	0.217
MS (in)	0.014	0.024	0.026	0.027	0.029
HT (in)	0.112	0.190	0.204	0.217	0.228