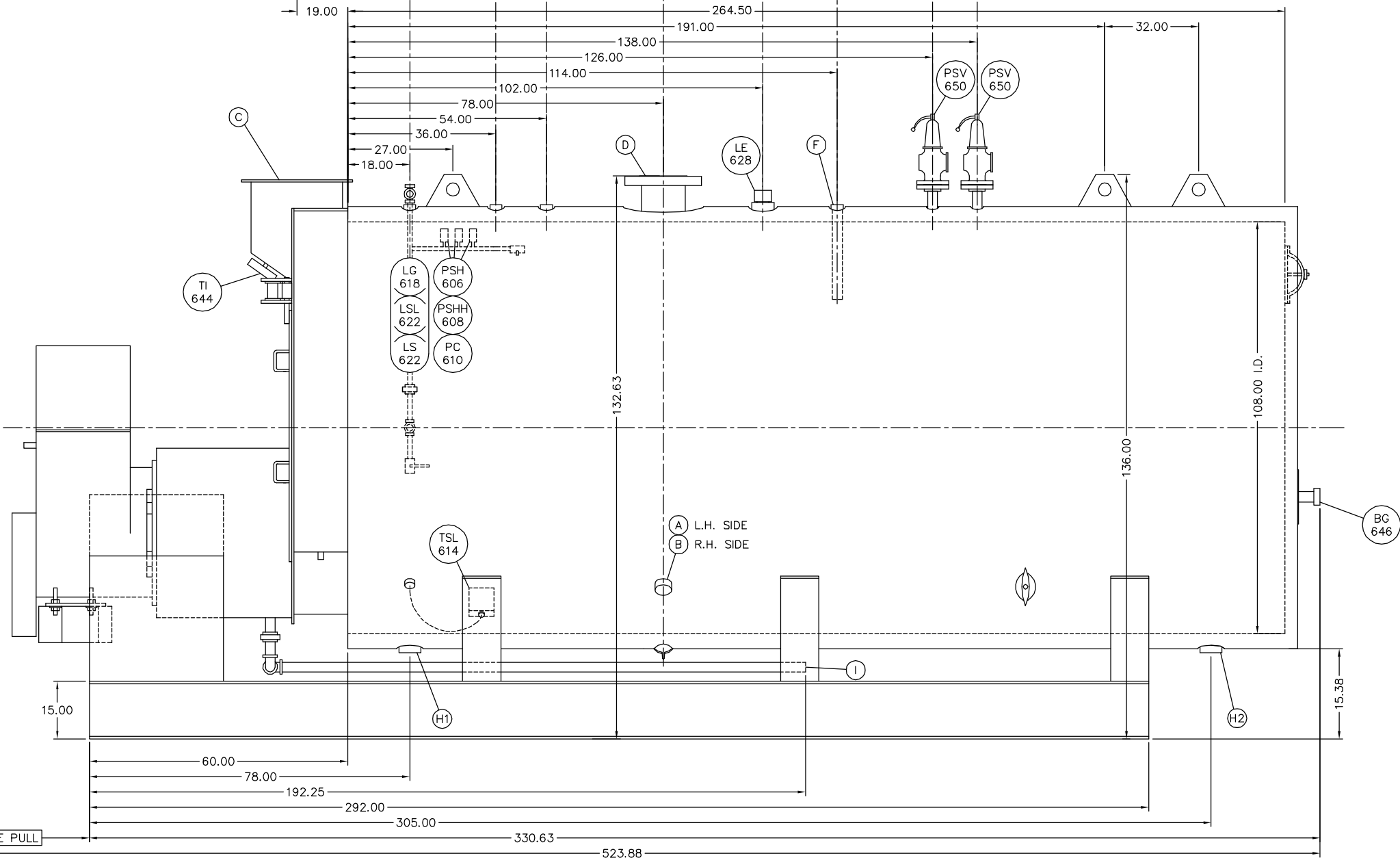
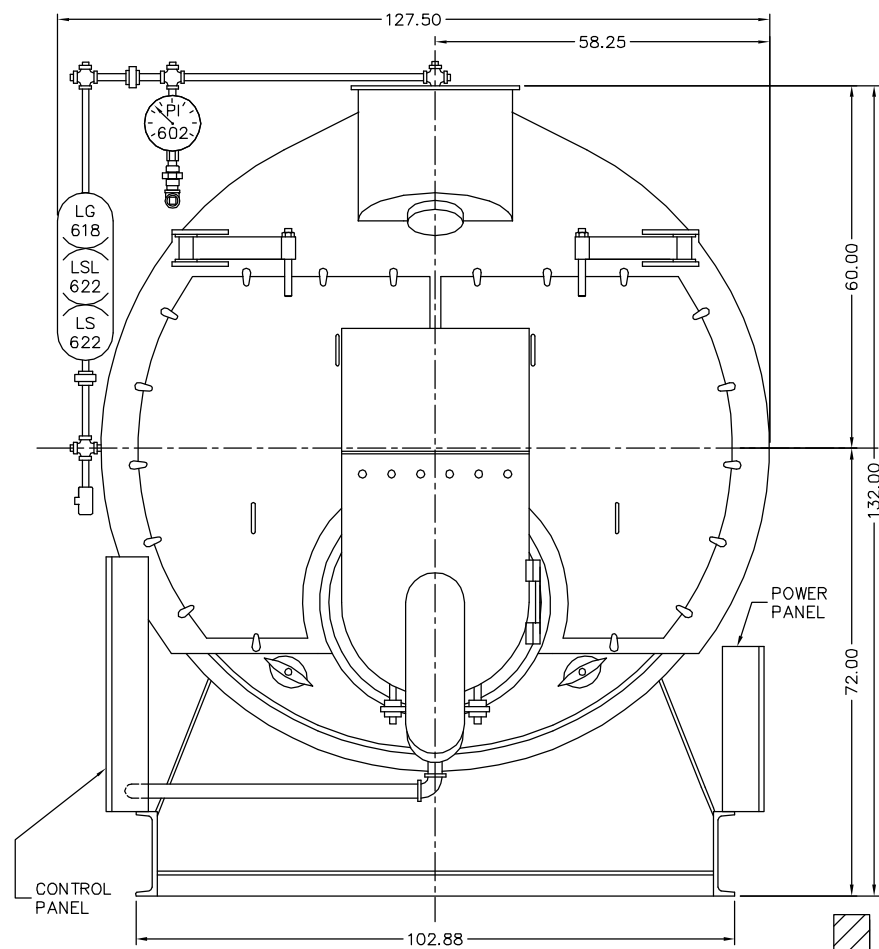
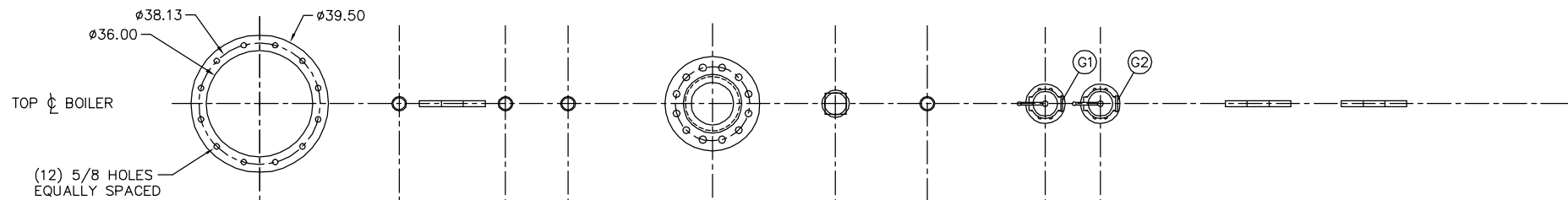


CONNECTION SCHEDULE

CONN.	DESCRIPTION	SIZE	TYPE
A	FEEDWATER INLET	2.00	FNPT
B	AUX. FEEDWATER INLET	2.00	FNPT
C	FLUE OUTLET	36.00	ID
D	MAIN STEAM OUTLET	12.00	300#RF
F	CONTINUOUS BLOWOFF OUTLET	1.00	FNPT
G	SAFETY VALVE OUTLET	4.00	FNPT
H	BLOWDOWN OUTLET	2.00	FNPT
I	MAIN GAS INLET	3.00	FNPT
J	MAIN GAS VENT VALVE OUTLET	1.50	FNPT
L	PILOT GAS VENT VALVE OUTLET	0.38	FNPT



NOTES: THIS DRAWING IS FOR DIMENSIONAL DATA ONLY. SEE PIPING & INSTRUMENT DRAWINGS FOR ACTUAL TRIM & INSTRUMENTATION PROVIDED. ALL DIMENSIONS IN INCHES UNLESS OTHERWISE NOTED. MINIMUM BOILER SIDE & REAR AISLE CLEARANCE: 36.00. ELECTRICAL PANEL LOCATIONS SHOWN ARE APPROXIMATE; CONSULT FACTORY IF PLACEMENT IS CRITICAL. REFER TO NATIONAL ELECTRICAL CODE (NFPA-70) FOR REQUIRED WORKING CLEARANCE ABOUT PANELS; CONSULT LOCAL CODES WHICH MAY SUPERCEDE THESE REQUIREMENTS. BOILER COMPLETELY COVERED WITH 2" INSULATION & NONCORRODING STEEL JACKET.

DWG NO.	REVISIONS	DATE	BY	DESCRIPTION
300B0417-01	A	2/6/06	MN	FLUE OUTLET BOLT HOLE QTY WAS (8).
	B	4/24/12	MN	REMOVED 1600HP FROM SIZE RANGE. FLUE OUTLET WAS 28.00. UPDATED RELATED DIMENSIONS. LENGTH W/ TUBE PULL WAS 519.88. BOILER RADIUS WAS 57.25. OVERALL WIDTH WAS 125.50.



THIS DRAWING IS THE PROPERTY OF THE JOHNSTON BOILER COMPANY. THE DISCLOSURES CONTAINED ON THIS DRAWING ARE MADE WITH THE UNDERSTANDING THAT THEY ARE CONFIDENTIAL AND WILL NOT BE USED IN ANY WAY DETRIMENTAL TO THIS COMPANY'S INTEREST.

SCALE	NONE	JOHNSTON BOILER COMPANY FERRYSBURG, MICHIGAN 49409 DIMENSIONAL DIAGRAM - XID PFXA1000/1500-2G150S	SO#
DATE	3/5/03		
DRAWN	JRS		
CHECKED			
APPROVED		DWG. No. 300B0417-01	REV B