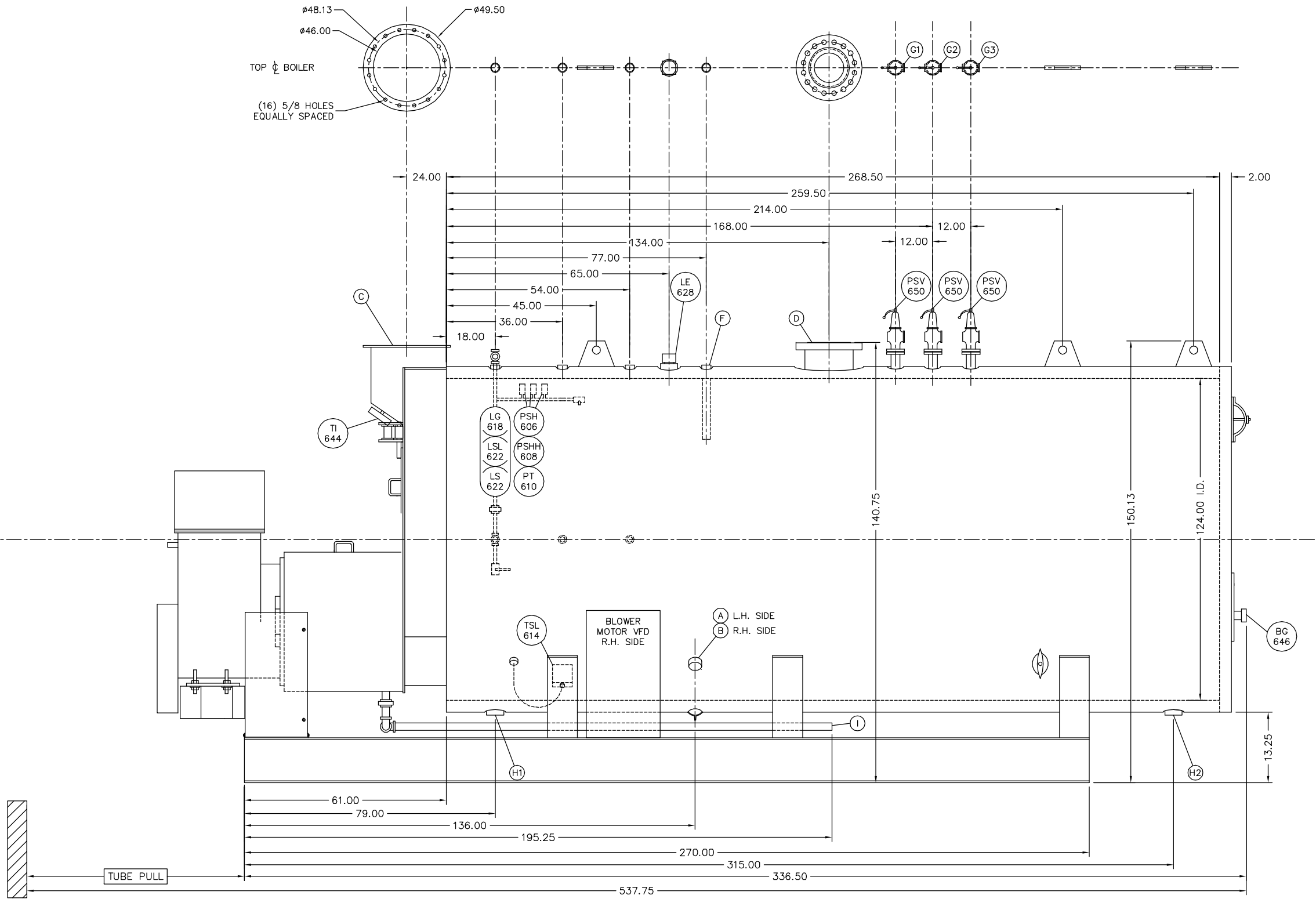
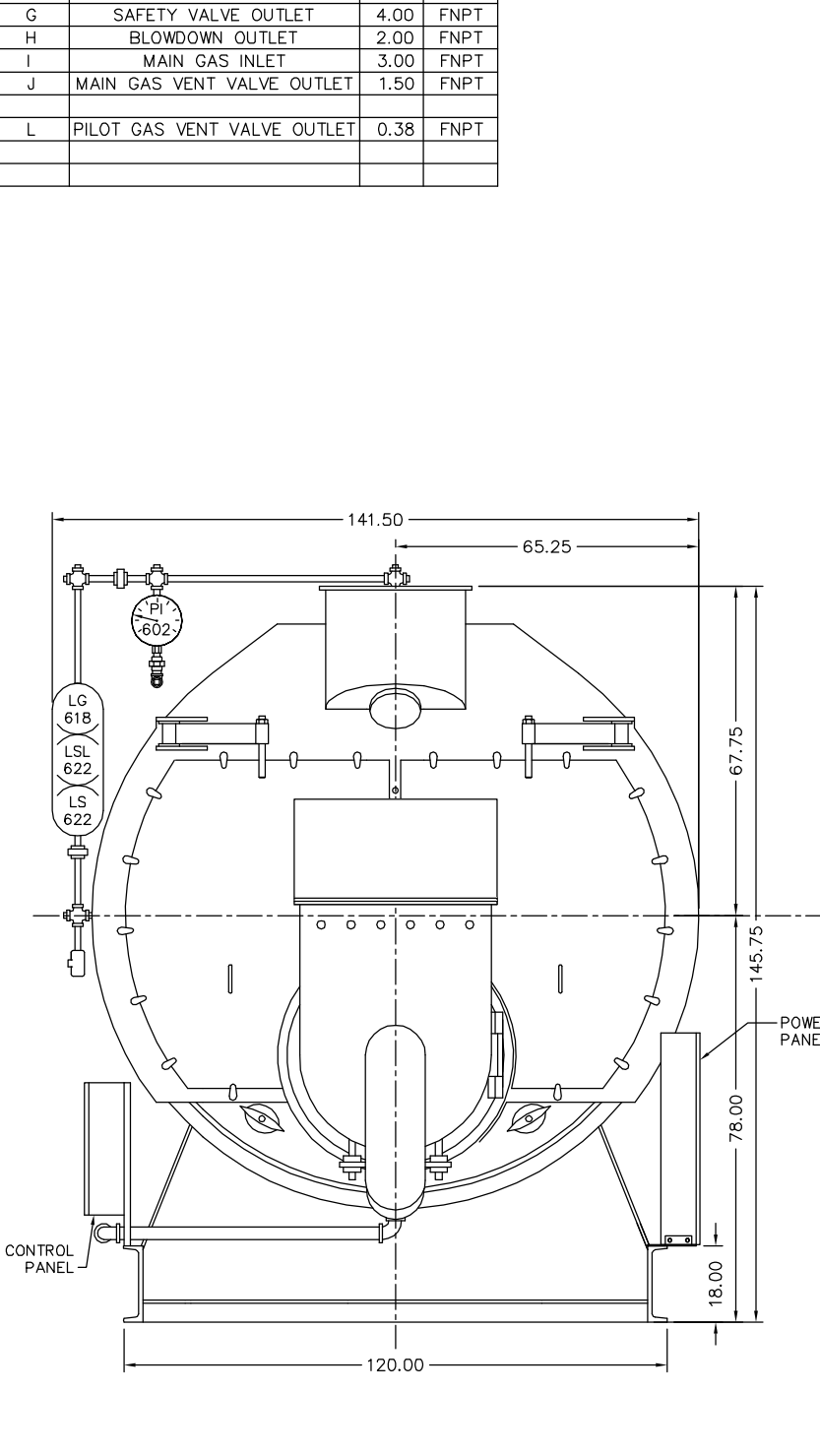


CONNECTION SCHEDULE			
CONN.	DESCRIPTION	SIZE	TYPE
A	FEEDWATER INLET	2.50	FNPT
B	AUX. FEEDWATER INLET	2.50	FNPT
C	FLUE OUTLET	46.00	ID
D	MAIN STEAM OUTLET	14.00	300#RF
F	CONTINUOUS BLOWOFF OUTLET	1.00	FNPT
G	SAFETY VALVE OUTLET	4.00	FNPT
H	BLOWDOWN OUTLET	2.00	FNPT
I	MAIN GAS INLET	3.00	FNPT
J	MAIN GAS VENT VALVE OUTLET	1.50	FNPT
L	PILOT GAS VENT VALVE OUTLET	0.38	FNPT



NOTES: THIS DRAWING IS FOR DIMENSIONAL DATA ONLY. SEE PIPING & INSTRUMENT DRAWINGS FOR ACTUAL TRIM & INSTRUMENTATION PROVIDED. ALL DIMENSIONS IN INCHES UNLESS OTHERWISE NOTED. MINIMUM BOILER SIDE & REAR AISLE CLEARANCE: 36.00. ELECTRICAL PANEL LOCATIONS SHOWN ARE APPROXIMATE; CONSULT FACTORY IF PLACEMENT IS CRITICAL. REFER TO NATIONAL ELECTRICAL CODE (NFPA-70) FOR REQUIRED WORKING CLEARANCE ABOUT PANELS; CONSULT LOCAL CODES WHICH MAY SUPERCEDE THESE REQUIREMENTS. BOILER COMPLETELY COVERED WITH 2" INSULATION & NONCORRODING STEEL JACKET.

DWG NO.	300B0471-01A
REVISIONS	



THIS DRAWING IS THE PROPERTY OF THE JOHNSTON BOILER COMPANY. THE DISCLOSURES CONTAINED ON THIS DRAWING ARE MADE WITH THE UNDERSTANDING THAT THEY ARE CONFIDENTIAL AND WILL NOT BE USED IN ANY WAY DETRIMENTAL TO THIS COMPANY'S INTEREST.

SCALE	NONE	JOHNSTON BOILER COMPANY	SO#
DATE	4/25/12		
DRAWN	MTN	DIMENSIONAL DIAGRAM - XID	
CHECKED		PFXA1600-2G150S	
APPROVED		DWG. No.	300B0471-01A
		REV	