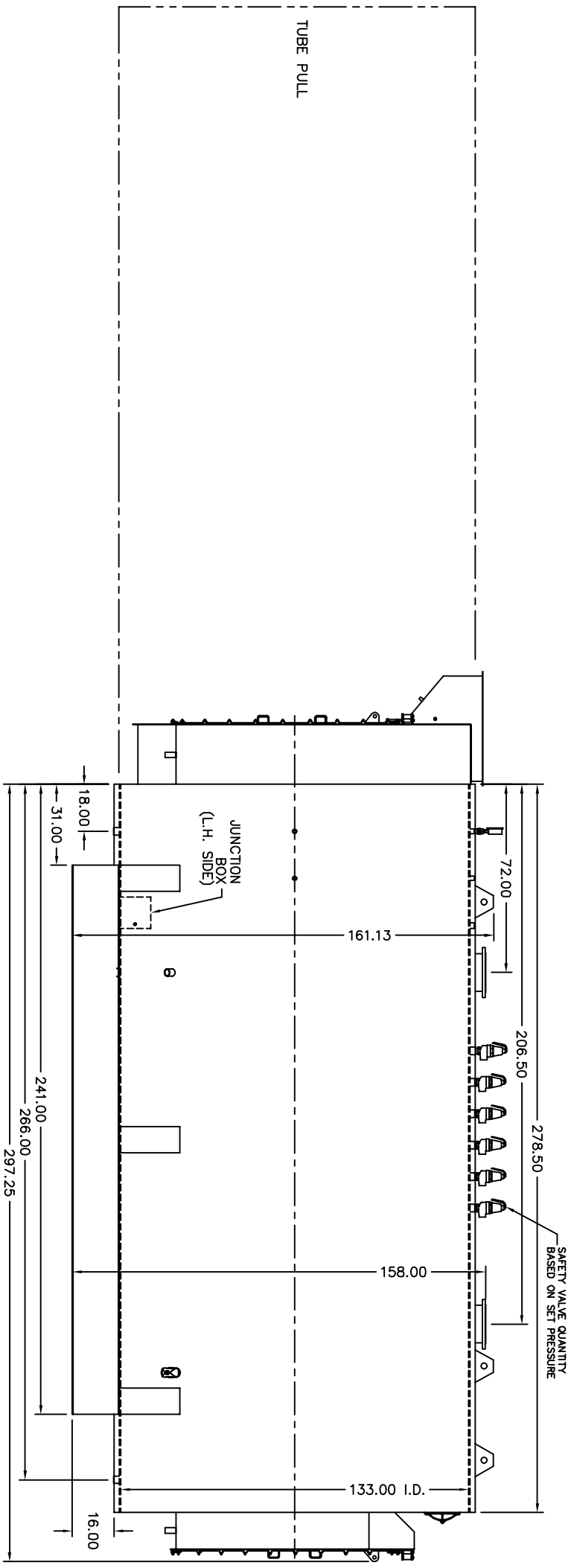
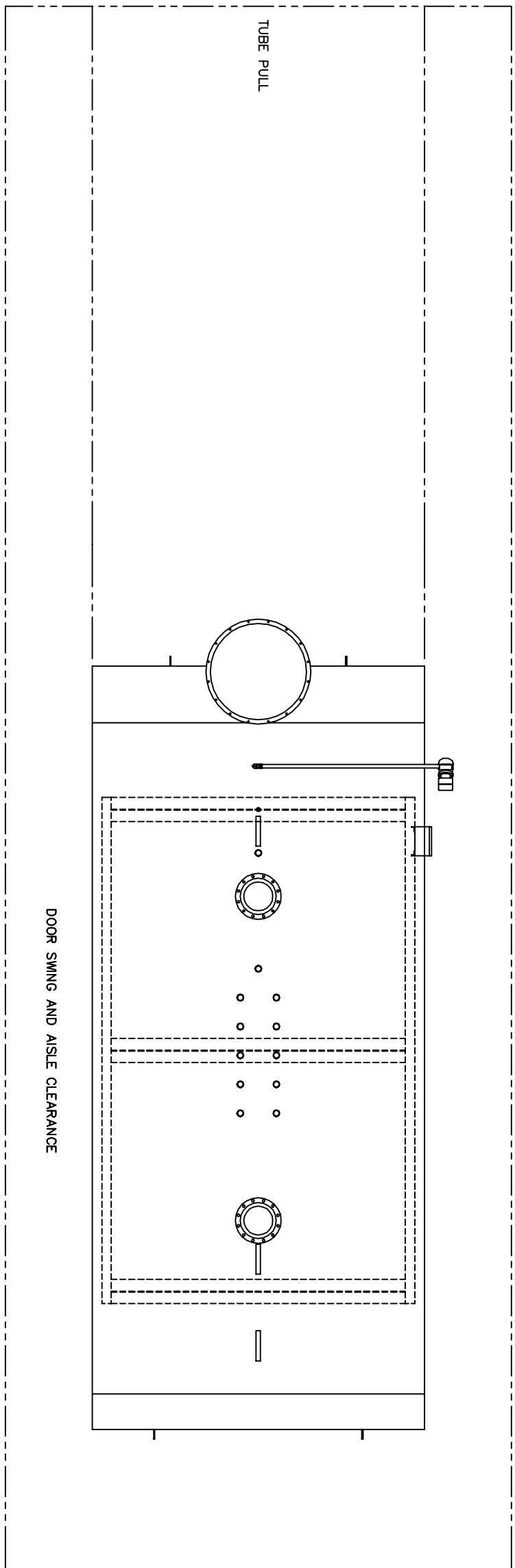
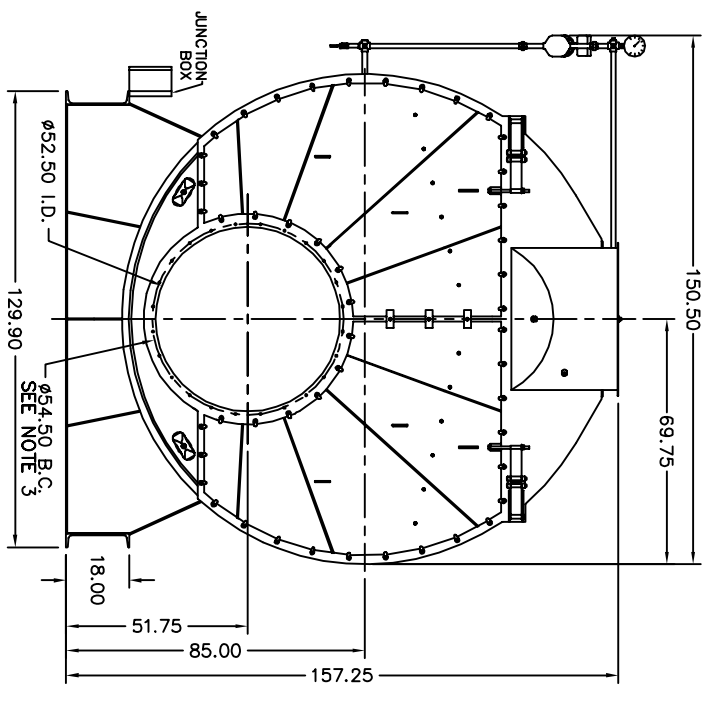
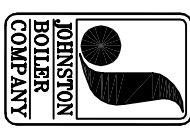


- NOTES:
1. MINIMUM AISLE CLEARANCE 36" FROM BOILER SIDES AND REAR. (THIS REQUIREMENT MAY VARY WITH LOCATION. CHECK STATE AND LOCAL CODES IN THE AREA OF INSTALLATION.)
 2. OPTIONS AND ADDITIONAL EQUIPMENT ORDERED MAY AFFECT OVERALL DIMENSIONS. DRAWINGS ARE FOR STANDARD BOILER PACKAGE.
 3. (24) 5/8 UNC X 1.500 LONG STUDS EQUALLY SPACED STRADDLE CENTERLINES. STUDS FOR BURNER REFRACTORY (DRY OVEN) MOUNTING. REFRACTORY MUST EXTEND 27.00" MINIMUM PAST MOUNTING FLANGE.



REFERENCE DRAWINGS:
 PLENUM: #212B0184
 PV: #101B0560
 PV BASE: #201B0291
 FR FLUE BOX: #205B0127
 RR FLUE BOX: #206B0118



THIS DRAWING IS THE PROPERTY OF THE JOHNSTON BOILER COMPANY. THE DISCLOSURES CONTAINED ON THIS DRAWING ARE MADE WITH THE UNDERSTANDING THAT THEY ARE CONFIDENTIAL AND WILL NOT BE USED IN ANY WAY DETRIMENTAL TO THIS COMPANY'S INTEREST.

SCALE	CAD/FULL	DATE	2-28-07	DRWN	MS	CHECKED	APPROVED
JOHNSTON BOILER COMPANY				FERRYSBURG, MICHIGAN 49409			
BOILER TEMPLATE - 509				PFTX1600-4-30#W			
DWG. NO. 300B0466-03				REV			