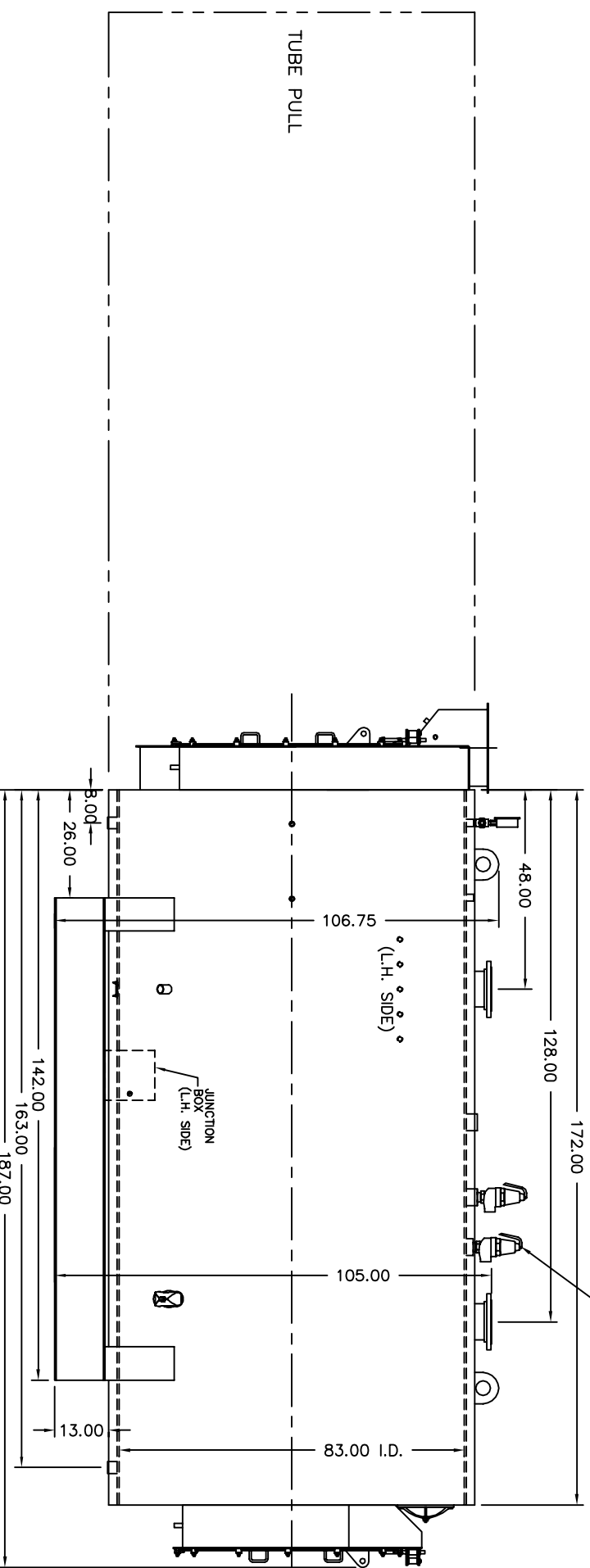
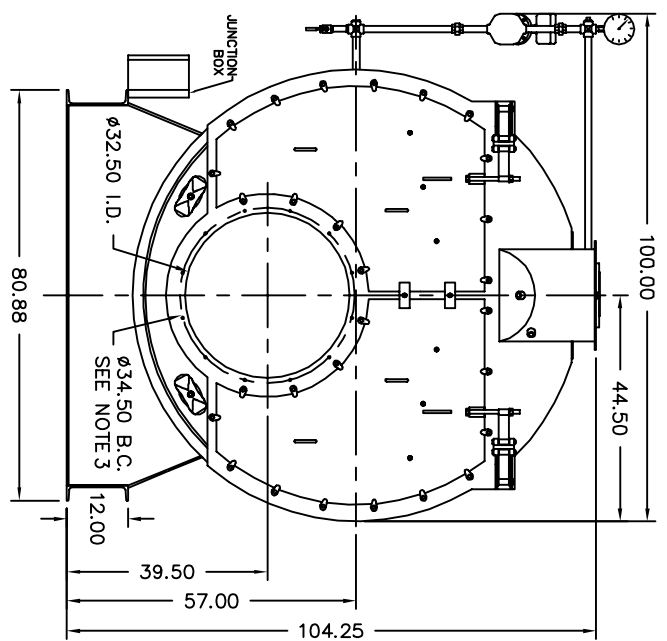
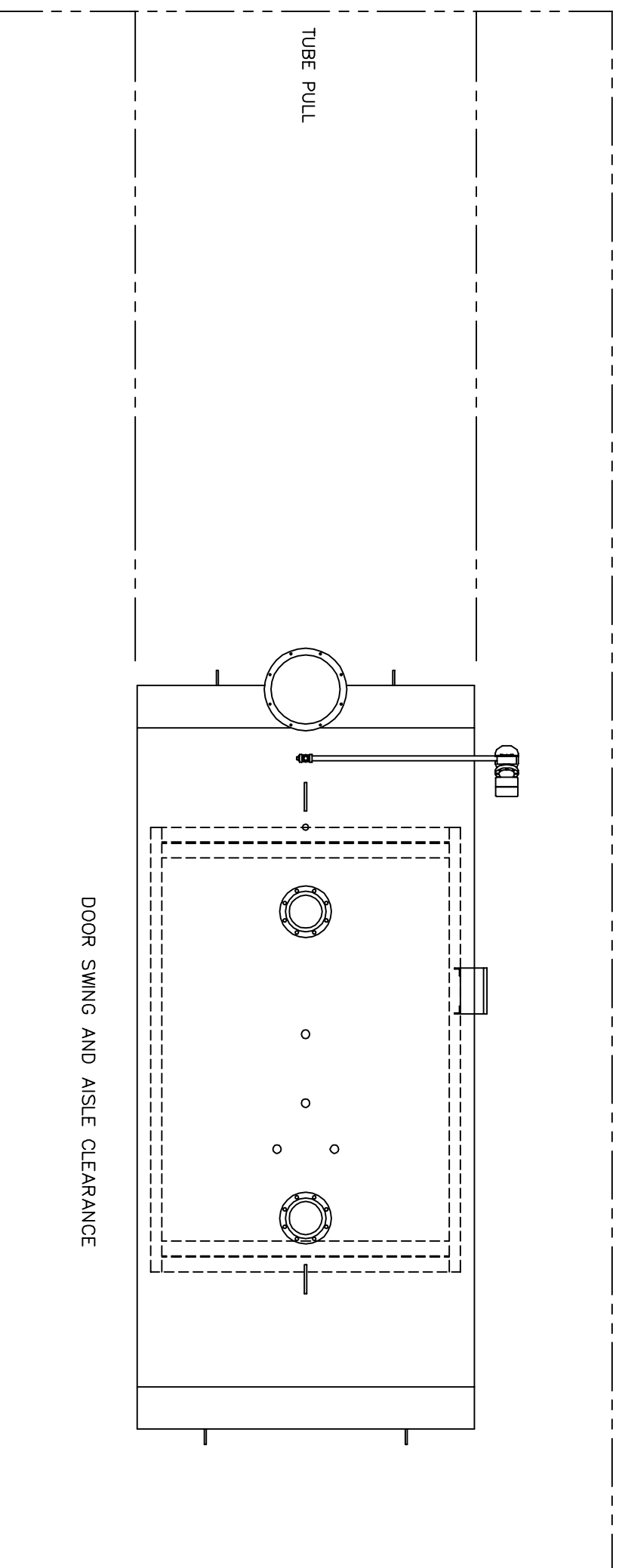


NOTES:

1. MINIMUM AISLE CLEARANCE 36" FROM BOILER SIDES AND REAR. (THIS REQUIREMENT MAY VARY WITH LOCATION. CHECK STATE AND LOCAL CODES IN THE AREA OF INSTALLATION.)
2. OPTIONS AND ADDITIONAL EQUIPMENT ORDERED MAY AFFECT OVERALL DIMENSIONS. DRAWINGS ARE FOR STANDARD BOILER PACKAGE.
3. (12) 1/2 UNC X 1.375 LONG STUDS EQUALLY SPACED STRADDLE CENTERLINES. STUDS FOR BURNER REFRACTOR (DRY OVEN) MOUNTING. REFRACTOR MUST EXTEND 14.50" MINIMUM PAST MOUNTING FLANGE.

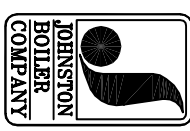


DWG NO. 300B0455

REVISIONS

REFERENCE DRAWINGS

- PLENUM: #212B0160
 PV: #101B0925
 PV BASE: #201B0283
 FFR FLUE BOX: #205B0158
 RR FLUE BOX: #206B0154



THIS DRAWING IS THE PROPERTY OF THE JOHNSTON BOILER COMPANY. THE DISCLOSURES CONTAINED ON THIS DRAWING ARE MADE WITH THE UNDERSTANDING THAT THEY ARE CONFIDENTIAL AND WILL NOT BE USED IN ANY WAY DETRIMENTAL TO THIS COMPANY'S INTEREST.

SCALE	CAD/FULL	DATE	2-23-07
DRAWN	DRS	CHECKED	
APPROVED			
DWG. NO.	300B0455-03		

JOHNSTON BOILER COMPANY
 FERRYSBURG, MICHIGAN 49409

BOILER TEMPLATE - 509
 PFTX300-4-30#W

So#

12