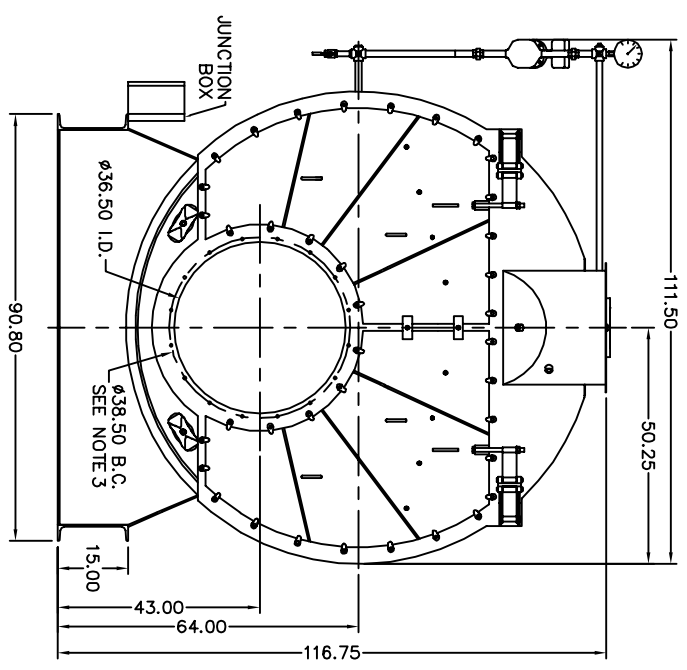
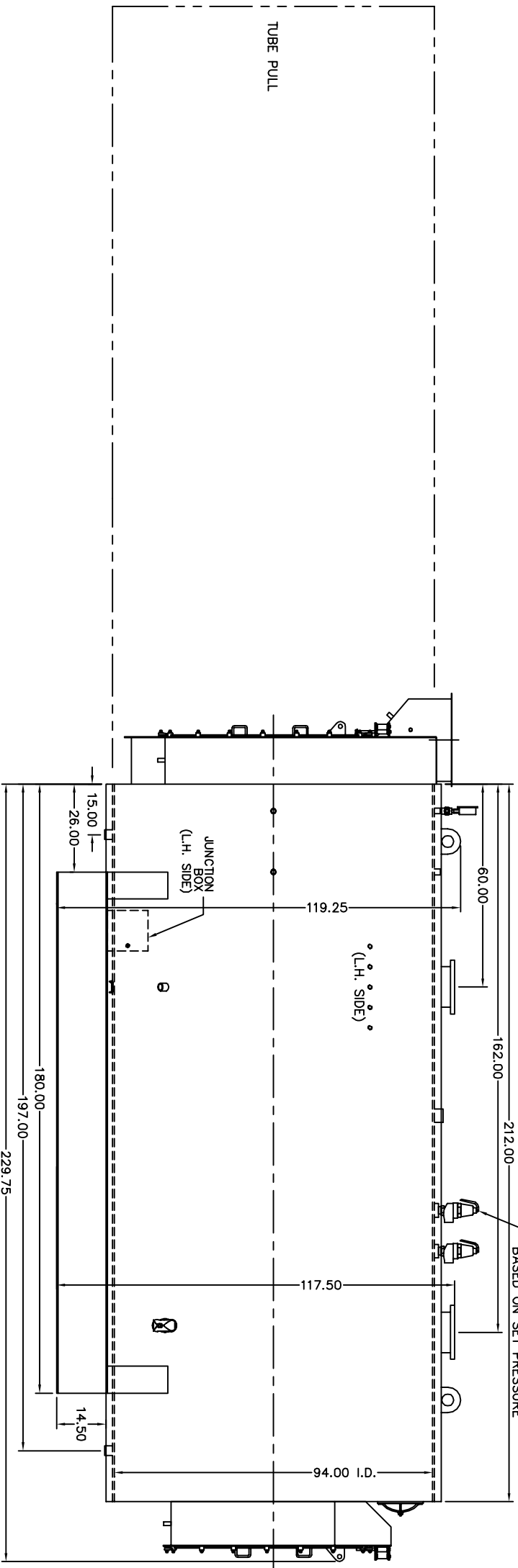
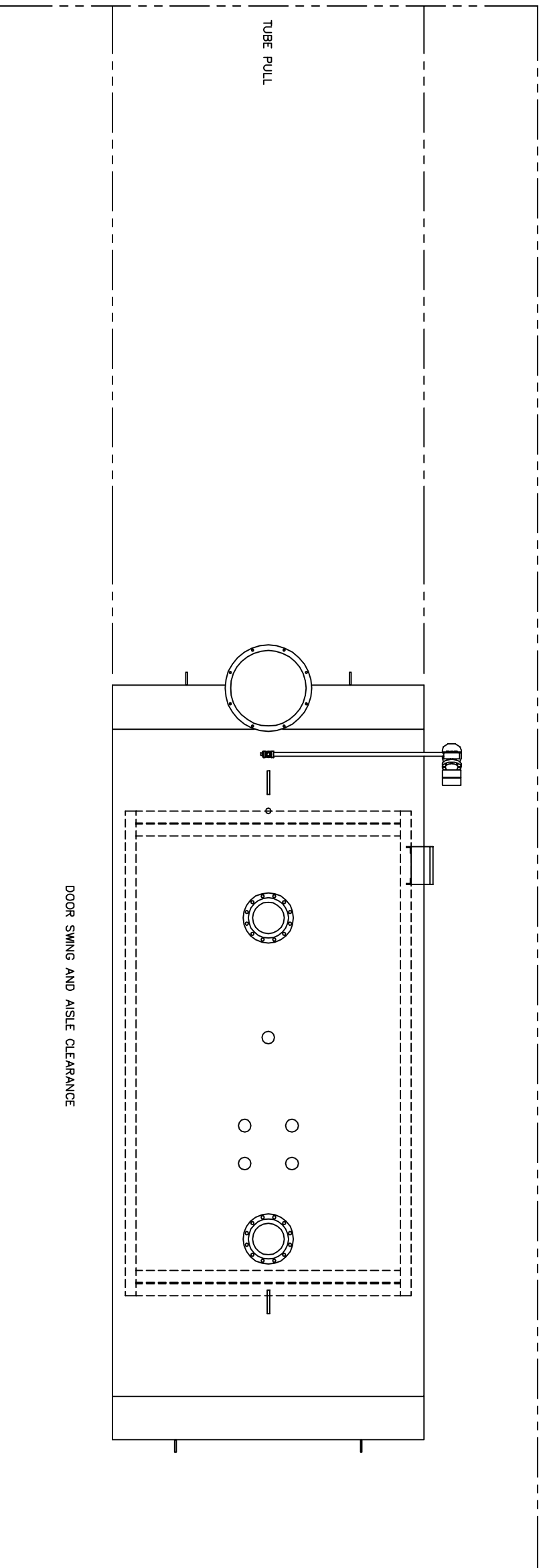


NOTES:

1. MINIMUM AISLE CLEARANCE 36" FROM BOILER SIDES AND REAR. (THIS REQUIREMENT MAY VARY WITH LOCATION. CHECK STATE AND LOCAL CODES IN THE AREA OF INSTALLATION.)
2. OPTIONS AND ADDITIONAL EQUIPMENT ORDERED MAY AFFECT OVERALL DIMENSIONS. DRAWINGS ARE FOR STANDARD BOILER PACKAGE.
3. (16) 1/2 UNC X 1.50 LONG STUDS EQUALLY SPACED STRADDLE CENTERLINES. STUDS FOR BURNER REFRACTOR (DRY OVEN) MOUNTING. REFRACTOR MUST EXTEND 18.00" MINIMUM PAST MOUNTING FLANGE.



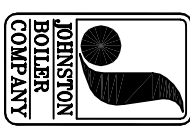
DWG NO. 300B0458

REVISIONS

NO.	DESCRIPTION

REFERENCE DRAWINGS

- PLENUM: #212B0170
- P.V. #101B1007
- P.V. BASE: #201B0286
- FR FLUE BOX: #205B0153
- RR FLUE BOX: #206B0149



THIS DRAWING IS THE PROPERTY OF THE JOHNSTON BOILER COMPANY. THE DISCLOSURES CONTAINED ON THIS DRAWING ARE MADE WITH THE UNDERSTANDING THAT THEY ARE CONFIDENTIAL AND WILL NOT BE USED IN ANY WAY DETRIMENTAL TO THIS COMPANY'S INTEREST.

SCALE	CAD/FULL	DATE	2-23-07	DRAWN	JKS	CHECKED		APPROVED		DWG NO.	300B0458-03	REV	
JOHNSTON BOILER COMPANY FERRYSBURG, MICHIGAN 49409 BOILER TEMPLATE - 509 PFTX500-4-30#W													